



Catalogue
FOOD SERVICE
Chapter
DISHWASHING

Specific model
LP-70 B DD 400V 3N 50Hz

19075071

12/06/2024

DENOMINATION:

Utensilwasher for basket of 700x700 with built-in drain pump and detergent doser

DESCRIPTION :

- "- Thanks to the drain pump, the self-cleaning cycle is automatic.
- Rinsing pump that guarantees a perfect hygienic result and constant pressure control during the rinse.
- Continuous wash cycle up to 12'.
- Drain pump included."
- "- Basket dimensions: 700 x 700 mm
- Useful height of 850 mm
- Tank capacity: 68 L
- Water use per cycle: 4 L"

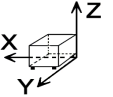
POSSIBLE ACCESSORIES :

- BASKETS

SUPPLIED ACCESSORIES:

- 19010252 Basket for utensilewasher 700x700 mm 1

DIMENSIONS



X Width	850 mm	X Gross width	1000 mm
Y Depth	850 mm	Y Gross depth	950 mm
Z Height	1960 mm	Z Gross height	2200 mm
Net Weight	181,0 kg	Gross Weight	191,0 kg
Net volume	1,416 m3	Gross volume	2,090 m3

ELECTRICITY TECHNICAL SPECIFICATIONS

Engine power	2,70 kW
Electric power	10,700 kW
Amperage (A)	25A
Heating power	8,00 kW
Voltage	400V - 3N
Electric frequency	50Hz

CONNECTIONS TECHNICAL SPECIFICATIONS

Water inlet diameter	3/4"
----------------------	------

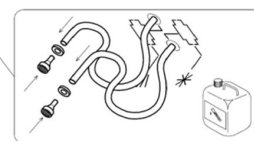
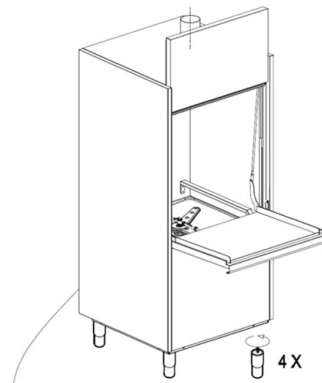
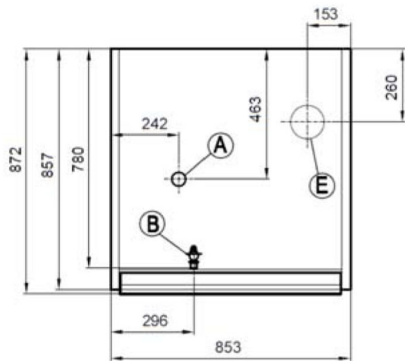
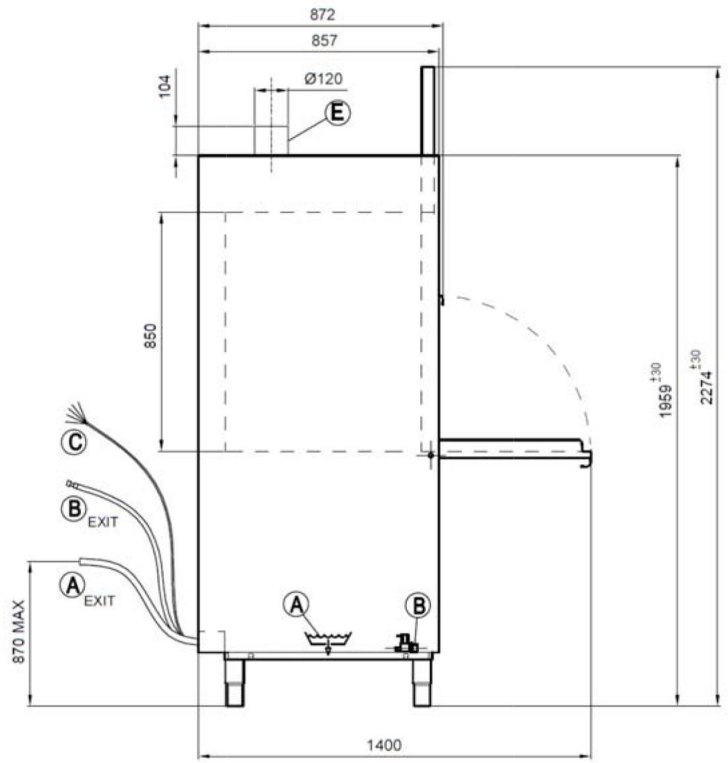
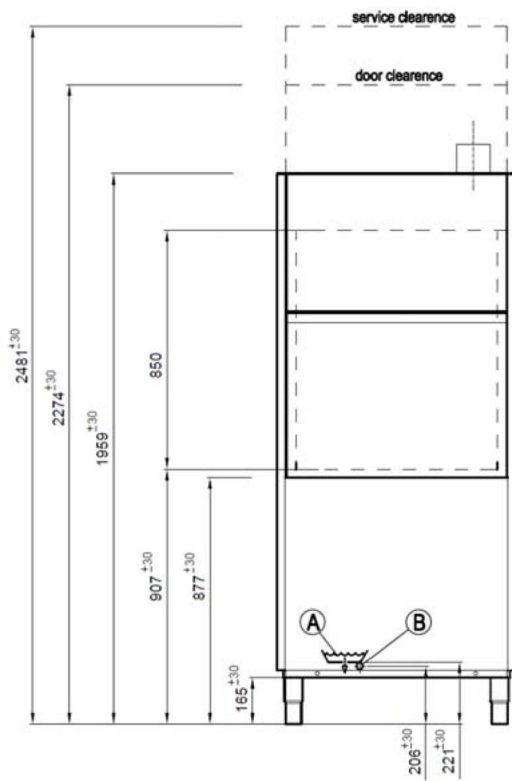


Catalogue
FOOD SERVICE
Chapter
DISHWASHING

Specific model
LP-70 B DD 400V 3N 50Hz

19075071

12/06/2024



A	Ø 50mm M	A EXIT	Ø 32 mm M
B	G 3/4" M	B EXIT	G 3/4" F
C	Power supply	E	Steam exhaust