



# COMBI CK-48V

2 in 1: high capacity vegetable cutter (650 kg) + cutter with 8 l bowl.



DYNAMIC PREPARATION  
FOOD PROCESSOR / VEG PREP COMBI MACHINES



## SALES DESCRIPTION

It has a variable speed motor block, large-capacity head and 8 l cutter bowl equipped with a rotor with micro-serrated blades. "Brushless" technology.

### Equipped with "brushless" technology: powerful and efficient motors

- ✓ Maximum efficiency: maintain the torque throughout the speed range.
- ✓ Exclusive "Force control system": guarantee of a uniform and high quality result.
- ✓ Lightweight and compact design: they weigh less, they occupy less space.
- ✓ Improved air/water-tightness since no ventilation is required.
- ✓ They generate less noise: improved workplace environment.

### Cutting function: a perfect cut

- ✓ High precision settings and comprehensive cutter and disc design aimed at obtaining a perfect cut.
- ✓ It can be fitted with a wide range of discs and grids of the highest cutting quality. By combining these accessories, you can achieve more than 70 different types of cuts and grating grades.
- ✓ Exclusive "Force Control System" to optimise and standardise the cutting of each product: acoustic warning when the motor exceeds the pre-established force.

### Cutter function: efficiency and performance

- ✓ Possibility of programming by time and pulse button.
- ✓ Reverse function, ideal for mixing products instead of cutting.
- ✓ 8 litre stainless steel bowl.
- ✓ Transparent lid with built-in "cut&mix" mixer.
- ✓ Depending on the purpose, the possibility of using optional smooth or perforated blades.
- ✓ Built-in parametrisable programs to obtain the desired texture in seconds and in a standardized way: dense texture, fine texture, pulses

- (PrecisePulse function).
- ✓ Option to customize programs for recipe standardization.

### Built to last

- ✓ Made from stainless steel and food-grade materials of the highest quality: stainless steel motor block and food-grade aluminium head. Stainless steel bowl with highly-resistant lid.

### Maximum comfort for the user

- ✓ Ergonomic design. Maximum comfort for the user.
- ✓ Lateral product output: it requires less room on the work surface and directs the product avoiding splashing.
- ✓ Advanced control panel that is very intuitive to use and offers all the information at a glance.

### Maintenance, safety, hygiene

- ✓ Plunger, lid and hopper easy to remove for changing or cleaning.
- ✓ Combination of security systems: head, covers, bowl, power switch.
- ✓ Appliance certified by NSF International (regulations on hygiene, cleaning and materials suitable for contact with foods).
- ✓ 100% tested.

## INCLUDES

- ✓ Variable speed motor block.
- ✓ Large capacity head.
- ✓ Cutter bowl, with micro-serrated blade rotor.
- ✓ Universal grid cleaner QC-U.

## OPTIONAL

- Tube head.
- High production semi-automatic bowl.
- Discs, grids and disc support.
- Rotor with smooth cutting blades.
- Rotor with perforated cutting blades.
- Support-trolley.
- Grid cleaning kit.

## ACCESSORIES

- FCC curved slicing discs
- FCO rippled slicing discs
- FFC chipping grids
- FMC dicing grids
- FCE julienne discs
- Disc and grid packs - Heavy
- Duty
- Disc and grid holder
- Blades for CK / K / KE
- Quick Cleaner: grid cleaners
- FC-D slicing discs
- SH shredding & grating discs

## SPECIFICATIONS

Total loading: 1500 W

### As vegetable preparation machine

Hourly production: 200 kg - 650 kg  
 Inlet opening: 286 cm<sup>2</sup>  
 Disc diameter: 205 mm  
 Speed as veg. slicer: 300 rpm - 1000 rpm  
 External dimensions (W x D x H): 391 mm x 400 mm x 652 mm  
 Net weight (Veg.Pre.): Net weight (Veg.Pre.)

### As cutter

Bowl capacity: 8 l  
 Speeds as cutter (positions): 300 rpm - 3000 rpm  
 External dimensions (W x D x H): 286 mm x 387 mm x 517 mm  
 Net weight (Cutter): 19 kg  
 Noise level (1m.): <70 dB(A)  
 Background noise: 32 dB(A)

Crated dimensions  
 705 x 415 x 515 mm  
 Volume Packed: 0.15 m<sup>3</sup>  
 Gross weight: 36.1 kg



product sheet  
updated 18/11/2024



# COMBI CK-48V

2 in 1: high capacity vegetable cutter (650 kg) + cutter with 8 l bowl.

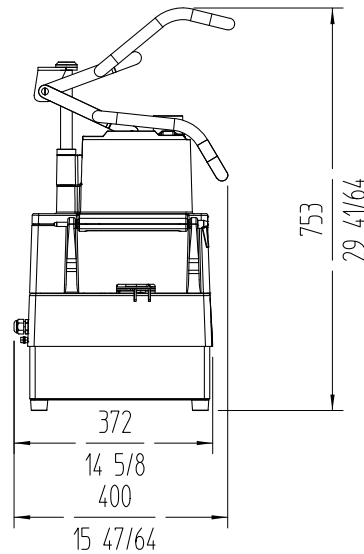
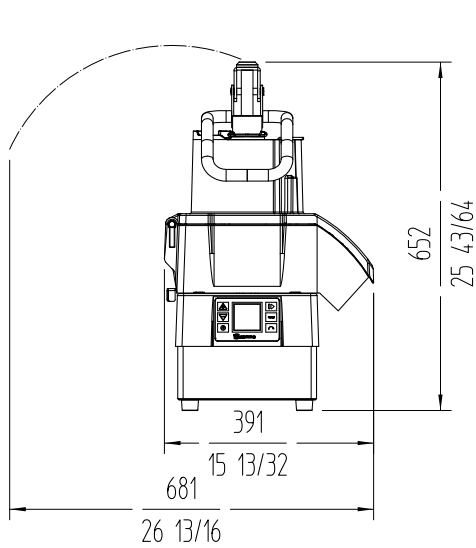
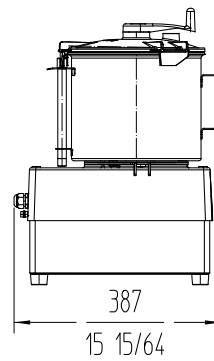
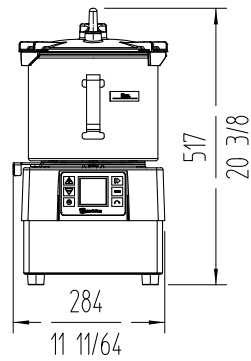


## AVAILABLE MODELS

1050821 Combi vegetable prep.-cutter CK-48V 230/50-60/1

1050822 Combi vegetable prep.-cutter CK-48V 120/50-60/1

\* Ask for special versions availability



DYNAMIC PREPARATION  
FOOD PROCESSOR / VEG PREP COMBI MACHINES

 **sammic** | [www.sammic.com](http://www.sammic.com)  
Food Service Equipment Manufacturer

Polígono Basarte, 1. phone +34 943 15 72 36  
20720 Azkoitia, Spain [sales@sammic.com](mailto:sales@sammic.com)



Project	Date
Item	Qty
Approved	

product sheet  
updated 18/11/2024