



**Catalogue**  
**FOOD SERVICE**  
**Chapter**  
**DISHWASHING**

**Specific model**  
**CCO-225 L ECO 380-415V 3N 50Hz**

19048597

12/06/2024

**DENOMINATION:**

Modular rack conveyor 225 racks/hour with entrance from the left gas heated

**DESCRIPTION :**

"-The Concept modular dishwashers are composed of different modules put together, which carry out different operations, making up the washing process.

- All the main parts are manufactured in AISI-304 anti-corrosion stainless steel: tanks, washing and rinsing arms, rinsing jets, doors, basket conveyance system, boiler and metal tubes.
  - Upwards-opening double panel door.
  - Tank tray filters made of AISI-304 stainless steel, easy to access and remove for cleaning and access to the tank.
  - Safety filter for pump suction.
  - Rinsing boiler with heat insulation.
  - Easy access for installation. Electrovalve located on one side (no need to remove panels to connect the machine).
  - Electrical panel designed for easy connection of dosers for liquid and solid detergents, rinse aid, limit switches, supplementary emergency stop button.
  - Washing arms easily removable as a set, for cleaning, with a plug on each branch providing access for cleaning inside.
  - Rinse jets easily dismountable and removable.
  - System of electronic regulation of speeds by means of frequency shifter.
  - Configurable electronic temperature control:
    - Wash (50 - 65 °C)
    - Rinse (70 - 85 °C)
    - Guarantor of rinse at 85 °C.
    - Pressure regulator for flow control.
    - Emergency stop button incorporated.
  - Extra anti-entrapment protection system at the entrance, mounted on the AS-260 splash guard supplement (optional).
  - Open door blocking system.
  - IPX4 protection system.
  - System for detection of blockage of conveyor carriage and automatic reverse function.
  - Energy-saving system: reduces consumption by halting operation of the pumps, and by passing the heating of the rinse to stand-by mode (70 °C).
  - Auto-timer which deactivates the conveyor motor after a pre-set period of inactivity (10 minutes)."
  - "- The ECO version conveyor dishwashers are fitted with an external hot water generator, gas heated, model GWB-40 (\*).
  - The generator replaces the electric rinse boiler in the dishwasher, bringing a significant saving in electricity consumption.
  - Given the heating power of the generator, the dishwasher can be installed in facilities with a cold water connection.
  - The dishwasher has a motor pump to send the water from the generator to the rinse jets."
  - AS-260 splash guard supplement.
  - Prewash module with 3 upper and 3 lower washing branches.
  - High-power washing system with 5 upper and 5 lower washing branches.
  - Rinse and pre-rinse, both double effect.
  - 3 programs 125, 175 and 225 baskets/hour.
- Entry through the left part of the machine.

**DIMENSIONS**



|            |          |                |          |
|------------|----------|----------------|----------|
| X Width    | 2340 mm  | X Gross width  | 2440 mm  |
| Y Depth    | 855 mm   | Y Gross depth  | 955 mm   |
| Z Height   | 1690 mm  | Z Gross height | 1890 mm  |
| Net Weight | 381,0 kg | Gross Weight   | 556,0 kg |
| Net volume | 3,381 m3 | Gross volume   | 4,404 m3 |

**ELECTRICITY TECHNICAL SPECIFICATIONS**

|                    |           |
|--------------------|-----------|
| Electric power     | 21,000 kW |
| Voltage            | 380-415V  |
| Phases             | 3N        |
| Electric frequency | 50Hz      |
| Amperage (A)       | 39,1      |
| Engine power       | 3,40 kW   |
| Heating power      | 17,00 kW  |

**WATER TECHNICAL SPECIFICATIONS**

|                       |                           |
|-----------------------|---------------------------|
| Pressure              | H2O: 200-400kPa(2-4bar)   |
| Water max consumption | 210,00 L/h                |
| Maximum Temperature   | Water Inlet Max Temp:60°C |

**COLD TECHNICAL SPECIFICATIONS**

|             |          |
|-------------|----------|
| Noise level | 72,00 dB |
|-------------|----------|

**CONNECTIONS TECHNICAL SPECIFICATIONS**

|                            |                |
|----------------------------|----------------|
| 230 V three-phase wiring   | 3X50+T - 160 A |
| Three-phase +N 400V wiring | 4X10+T - 50 A  |
| Drain 1 diameter           | 38             |





**Catalogue**  
FOOD SERVICE  
**Chapter**  
DISHWASHING

**Specific model**  
CCO-225 L ECO 380-415V 3N 50Hz

19048597

12/06/2024

**POSSIBLE OPTIONS :**

- Electric transformation to 230V three-phase without neutral (230V 3 ~)
- Electric transformation to marine version (440V 3~ 60 Hz.)
- Gas water booster 50Hz
- Gas water booster 50Hz
- Drying tunnel
- Anti-splash guard supplement (exit)

**POSSIBLE ACCESSORIES :**

- BASKETS
- BASKETS FOR DISHWASHERS
- BASKETS FOR GLASSES
- MODULAR ELEMENTS
- TABLES FOR RACK TYPE DISHWASH.
- GAS WATER BOOSTER

**SUPPLIED ACCESSORIES:**

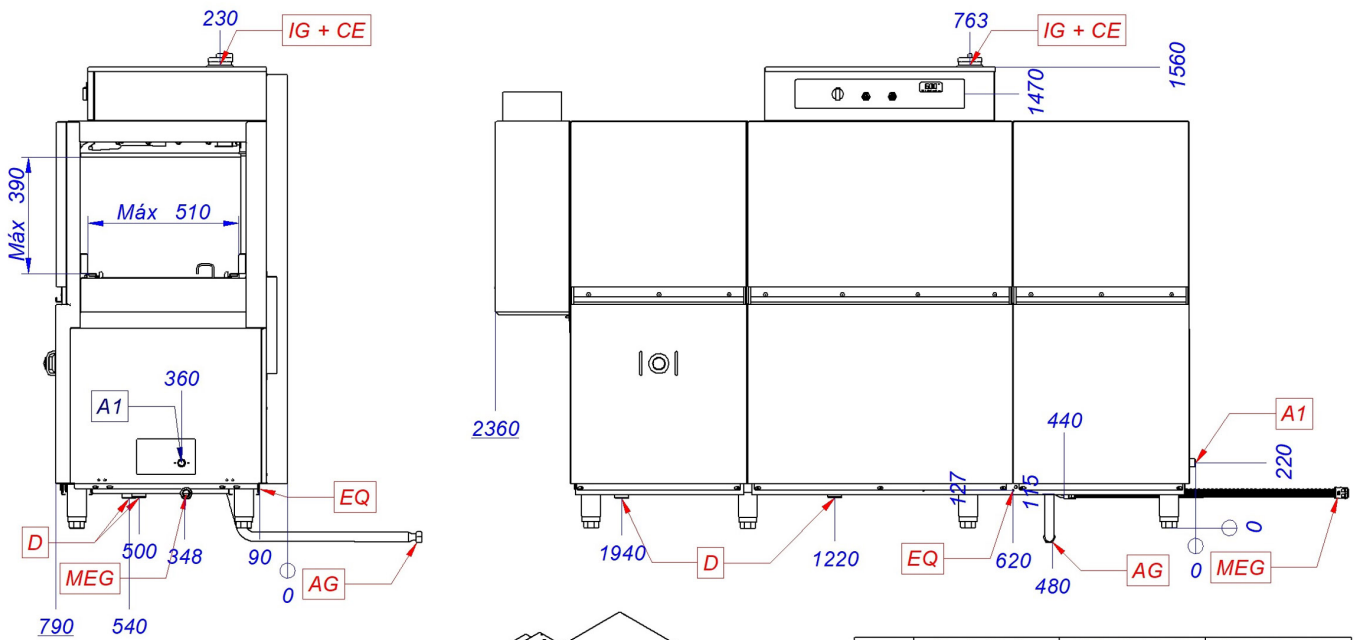
- 19000487 Basket for 16-18 plates, 500x500x110 mm. 2
- 19036306 Standard basket with dense base 1

**Catalogue**  
FOOD SERVICE  
**Chapter**  
DISHWASHING

**Specific model**  
CCO-225 L ECO 380-415V 3N 50Hz

19048597

12/06/2024



| AG  | Conexión hidráulica generador | Gas booster hydraulic connection  | Connexion hydraulique de la chaudière à gaz |
|-----|-------------------------------|-----------------------------------|---------------------------------------------|
| A1  | Válvula de llenado            | Fill valve                        | Vanne de remplissage                        |
| CE  | Alimentación eléctrica        | Power supply                      | Connexion électrique                        |
| D   | Desagüe                       | Drain                             | Vindage                                     |
| EQ  | Toma equipotencial            | Equipotential bonding terminal    | Connexion Equipotentielle                   |
| IG  | Interruptor general           | General switch                    | Interrupteur général                        |
| MEG | Conexión eléctrica generador  | Gas booster electrical connection | Connexion électrique de la chaudière à gaz  |