



**Catalogue**  
FOOD SERVICE  
**Chapter**  
DISHWASHING

**Specific model**  
CCO-180 R HW 380-415V 3N 50Hz

19048587

12/06/2024

**DENOMINATION:**

Modular rack conveyor 180 racks/hour with entrance from the right for hot water

**DESCRIPTION :**

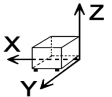
"-The Concept modular dishwashers are composed of different modules put together, which carry out different operations, making up the washing process.

- All the main parts are manufactured in AISI-304 anti-corrosion stainless steel: tanks, washing and rinsing arms, rinsing jets, doors, basket conveyance system, boiler and metal tubes.
  - Upwards-opening double panel door.
  - Tank tray filters made of AISI-304 stainless steel, easy to access and remove for cleaning and access to the tank.
  - Safety filter for pump suction.
  - Rinsing boiler with heat insulation.
  - Easy access for installation. Electrovalve located on one side (no need to remove panels to connect the machine).
  - Electrical panel designed for easy connection of dosers for liquid and solid detergents, rinse aid, limit switches, supplementary emergency stop button.
  - Washing arms easily removable as a set, for cleaning, with a plug on each branch providing access for cleaning inside.
  - Rinse jets easily dismountable and removable.
  - System of electronic regulation of speeds by means of frequency shifter.
  - Configurable electronic temperature control:
    - Wash (50 - 65 °C)
    - Rinse (70 - 85 °C)
    - Guarantor of rinse at 85 °C.
    - Pressure regulator for flow control.
    - Emergency stop button incorporated.
  - Extra anti-entrapment protection system at the entrance, mounted on the AS-260 splash guard supplement (optional).
  - Open door blocking system.
  - IPX4 protection system.
  - System for detection of blockage of conveyor carriage and automatic reverse function.
  - Energy-saving system: reduces consumption by halting operation of the pumps, and by passing the heating of the rinse to stand-by mode (70 °C).
  - Auto-timer which deactivates the conveyor motor after a pre-set period of inactivity (10 minutes)."
  - AS-260 splash guard supplement.
  - High-power washing system with 5 upper and 5 lower washing branches.
  - Rinse and pre-rinse, both double effect.
  - 3 programs 90, 135 and 180 baskets/hour.
- Entry through the right part of the machine.  
HW: Model prepared for connection with hot water from the network (input temperature > 50 °C.).

**POSSIBLE OPTIONS :**

- Electric transformation to 230V three-phase without neutral (230V 3 ~)
- Electric transformation to marine version (440V 3~ 60 Hz.)
- Drying tunnel
- Anti-splash guard supplement (exit)

**DIMENSIONS**



X Width	1750 mm	X Gross width	1850 mm
Y Depth	855 mm	Y Gross depth	955 mm
Z Height	1690 mm	Z Gross height	1950 mm
Net Weight	259,0 kg	Gross Weight	382,0 kg
Net volume	2,529 m3	Gross volume	3,445 m3

**ELECTRICITY TECHNICAL SPECIFICATIONS**

Electric power	25,900 kW
Voltage	380-415V
Phases	3N
Electric frequency	50Hz
Amperage (A)	41,6
Engine power	2,20 kW
Heating power	23,00 kW

**WATER TECHNICAL SPECIFICATIONS**

Pressure	H2O: 200-400kPa(2-4bar)
Water max consumption	210,00 L/h
Maximum Temperature	Water Inlet Max Temp:60°C

**COLD TECHNICAL SPECIFICATIONS**

Noise level	72,00 dB
-------------	----------

**CONNECTIONS TECHNICAL SPECIFICATIONS**

230 V three-phase wiring	3X50+T - 160 A
Three-phase +N 400V wiring	4X16+T - 80 A
Drain 1 diameter	38





**Catalogue**  
FOOD SERVICE  
**Chapter**  
DISHWASHING

**Specific model**  
CCO-180 R HW 380-415V 3N 50Hz

19048587

12/06/2024

**POSSIBLE ACCESSORIES :**

- BASKETS
- BASKETS FOR DISHWASHERS
- BASKETS FOR GLASSES
- MODULAR ELEMENTS
- TABLES FOR RACK TYPE DISHWASH.

**SUPPLIED ACCESSORIES:**

- 19000484 Glass basket, 500x500x110 mm. 2
- 19000487 Basket for 16-18 plates, 500x500x110 mm. 2
- 19000488 Baskets for 16 glasses and cups with 110 mm diameter and 100 mm height. 1
- 19036306 Standard basket with dense base 1

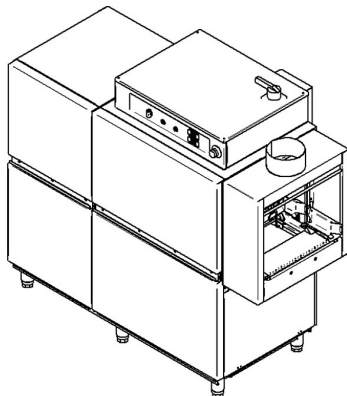
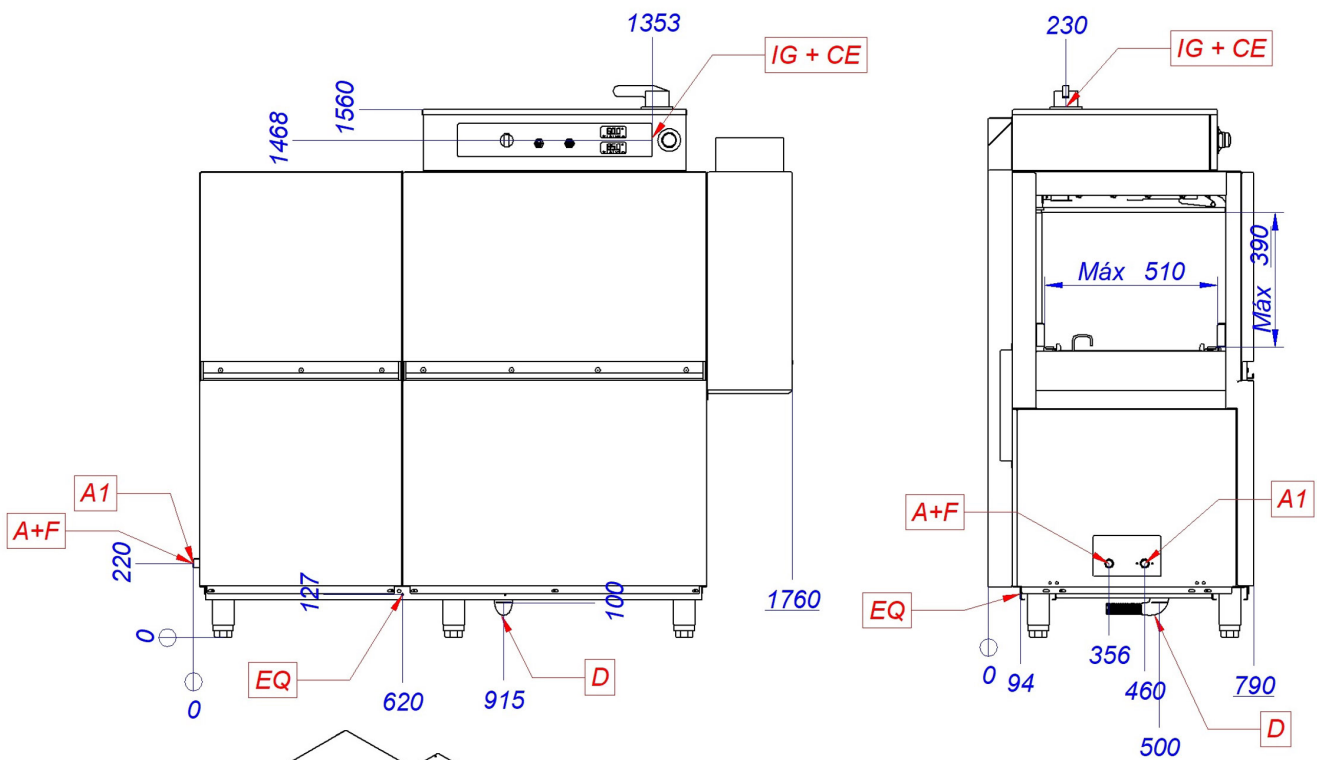


**Catalogue**  
FOOD SERVICE  
**Chapter**  
DISHWASHING

**Specific model**  
CCO-180 R HW 380-415V 3N 50Hz

19048587

12/06/2024



A+F	Entrada de agua + filtro	Water inlet & filter	Entrée d'eau & filtrer
A1	Válvula de llenado	Fill valve	Vanne de remplissage
CE	Alimentación eléctrica	Power supply	Connexion électrique
D	Desagüe	Drain	Vindage
EQ	Toma equipotencial	Equipotential bonding terminal	Connexion Équipotentielle
IG	Interruptor general	General switch	Interrupteur général