



Catalogue
FOOD SERVICE
Chapter
DISHWASHING

Specific model
CCO-270 L CW 380-415V 3N 50Hz

19048606

12/06/2024

DENOMINATION:

Modular rack conveyor 270 racks/hour with entrance from the left for cold water

DESCRIPTION :

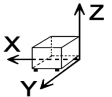
"-The Concept modular dishwashers are composed of different modules put together, which carry out different operations, making up the washing process.

- All the main parts are manufactured in AISI-304 anti-corrosion stainless steel: tanks, washing and rinsing arms, rinsing jets, doors, basket conveyance system, boiler and metal tubes.
 - Upwards-opening double panel door.
 - Tank tray filters made of AISI-304 stainless steel, easy to access and remove for cleaning and access to the tank.
 - Safety filter for pump suction.
 - Rinsing boiler with heat insulation.
 - Easy access for installation. Electrovalve located on one side (no need to remove panels to connect the machine).
 - Electrical panel designed for easy connection of dosers for liquid and solid detergents, rinse aid, limit switches, supplementary emergency stop button.
 - Washing arms easily removable as a set, for cleaning, with a plug on each branch providing access for cleaning inside.
 - Rinse jets easily dismountable and removable.
 - System of electronic regulation of speeds by means of frequency shifter.
 - Configurable electronic temperature control:
 - Wash (50 - 65 °C)
 - Rinse (70 - 85 °C)
 - Guarantor of rinse at 85 °C.
 - Pressure regulator for flow control.
 - Emergency stop button incorporated.
 - Extra anti-entrapment protection system at the entrance, mounted on the AS-260 splash guard supplement (optional).
 - Open door blocking system.
 - IPX4 protection system.
 - System for detection of blockage of conveyor carriage and automatic reverse function.
 - Energy-saving system: reduces consumption by halting operation of the pumps, and by passing the heating of the rinse to stand-by mode (70 °C).
 - Auto-timer which deactivates the conveyor motor after a pre-set period of inactivity (10 minutes)."
 - AS-260 splash guard supplement.
 - First Wash with cold water.
 - High-power washing system with 5 upper and 5 lower washing branches.
 - Rinse and pre-rinse, both double effect.
 - 3 programs 140, 205 and 270 baskets/hour.
- Entry through the left part of the machine.
 CW: Model prepared for connection with cold water from the network (input temperature $\langle \langle \langle \rangle \rangle \rangle > 50 \text{ }^\circ\text{C}$.).

POSSIBLE OPTIONS :

- Electric transformation to 230V three-phase without neutral (230V 3 ~)
- Electric transformation to marine version (440V 3~ 60 Hz.)
- Drying tunnel 800 mm
- Inner energy recovery system

DIMENSIONS



X Width	2660 mm	X Gross width	2750 mm
Y Depth	790 mm	Y Gross depth	955 mm
Z Height	1560 mm	Z Gross height	1950 mm
Net Weight	434,0 kg	Gross Weight	628,0 kg
Net volume	3,874 m3	Gross volume	5,121 m3

ELECTRICITY TECHNICAL SPECIFICATIONS

Electric power	49,000 kW
Voltage	380-415V
Phases	3N
Electric frequency	50Hz
Amperage (A)	77,2
Engine power	4,40 kW
Heating power	44,00 kW

WATER TECHNICAL SPECIFICATIONS

Pressure	H2O: 200-400kPa(2-4bar)
Water max consumption	240,00 L/h
Maximum Temperature	Water Inlet Max Temp:60°C

COLD TECHNICAL SPECIFICATIONS

Noise level	72,00 dB
-------------	----------

CONNECTIONS TECHNICAL SPECIFICATIONS

230 V three-phase wiring	3X70+T - 180 A
Three-phase +N 400V wiring	4X35+T - 100 A
Drain 1 diameter	38





Catalogue
FOOD SERVICE
Chapter
DISHWASHING

Specific model
CCO-270 L CW 380-415V 3N 50Hz

19048606

12/06/2024

- Anti-splash guard supplement (exit)

POSSIBLE ACCESSORIES :

- BASKETS
- BASKETS FOR DISHWASHERS
- BASKETS FOR GLASSES
- MODULAR ELEMENTS
- TABLES FOR RACK TYPE DISHWASH.

SUPPLIED ACCESSORIES:

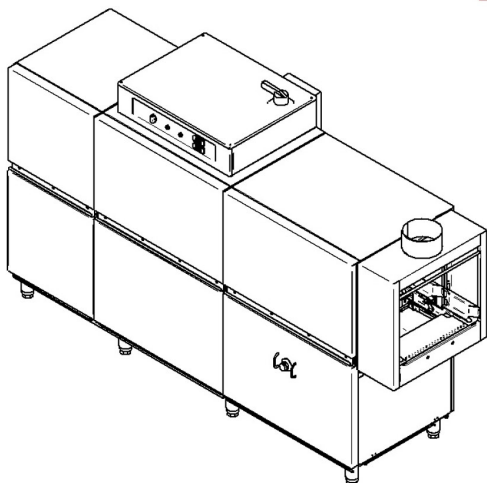
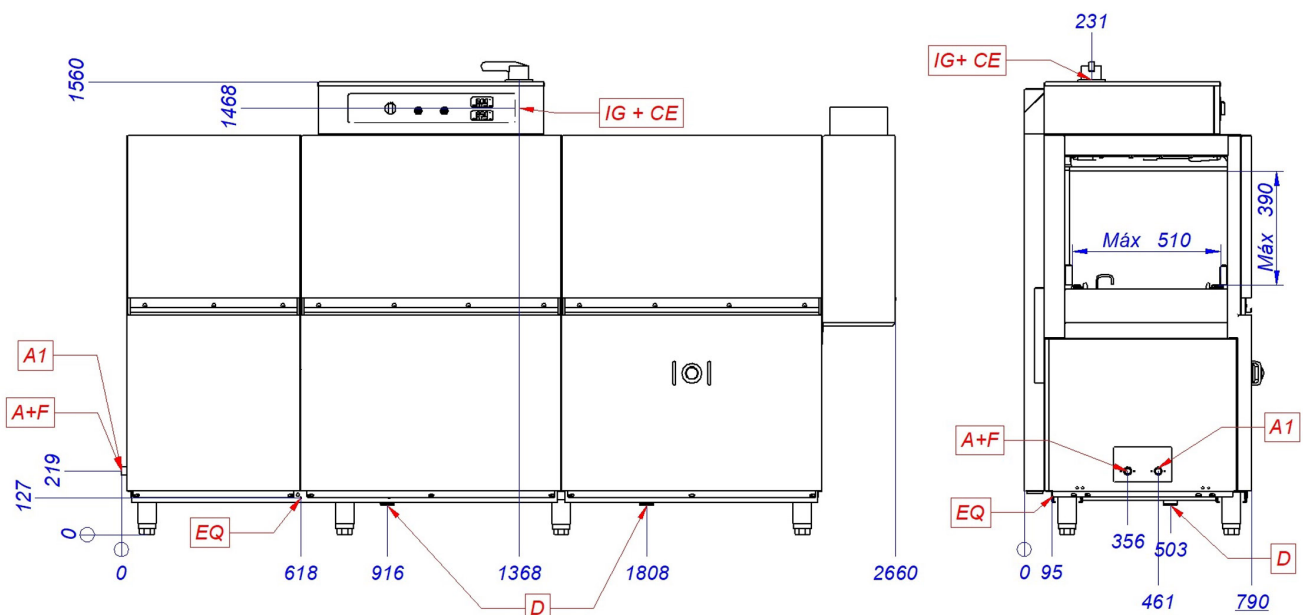
- 19000484 Glass basket, 500x500x110 mm. 2
- 19000487 Basket for 16-18 plates, 500x500x110 mm. 2
- 19000488 Baskets for 16 glasses and cups with 110 mm diameter and 100 mm height. 1
- 19036306 Standard basket with dense base 1

Catalogue
FOOD SERVICE
Chapter
DISHWASHING

Specific model
CCO-270 L CW 380-415V 3N 50Hz

19048606

12/06/2024



A+F	Entrada de agua + filtro	Water inlet & filter	Entrée d'eau & filtrer
A1	Válvula de llenado	Fill valve	Vanne de remplissage
CE	Alimentación eléctrica	Power supply	Connexion électrique
D	Desagüe	Drain	Vindage
EQ	Toma equipotencial	Equipotential bonding terminal	Connexion Équipotentielle
IG	Interruptor general	General switch	Interrupteur général