



**Catalogue**  
**FOOD SERVICE**  
**Chapter**  
**DISHWASHING**

**Specific model**  
**CCO-270 R CW 380-415V 3N 50Hz**

19048612

12/06/2024

**DENOMINATION:**

Modular rack conveyor 270 racks/hour with entrance from the right for cold water

**DESCRIPTION :**

"-The Concept modular dishwashers are composed of different modules put together, which carry out different operations, making up the washing process.

- All the main parts are manufactured in AISI-304 anti-corrosion stainless steel: tanks, washing and rinsing arms, rinsing jets, doors, basket conveyance system, boiler and metal tubes.
  - Upwards-opening double panel door.
  - Tank tray filters made of AISI-304 stainless steel, easy to access and remove for cleaning and access to the tank.
  - Safety filter for pump suction.
  - Rinsing boiler with heat insulation.
  - Easy access for installation. Electrovalve located on one side (no need to remove panels to connect the machine).
  - Electrical panel designed for easy connection of dosers for liquid and solid detergents, rinse aid, limit switches, supplementary emergency stop button.
  - Washing arms easily removable as a set, for cleaning, with a plug on each branch providing access for cleaning inside.
  - Rinse jets easily dismountable and removable.
  - System of electronic regulation of speeds by means of frequency shifter.
  - Configurable electronic temperature control:
    - Wash (50 - 65 °C)
    - Rinse (70 - 85 °C)
    - Guarantor of rinse at 85 °C.
    - Pressure regulator for flow control.
    - Emergency stop button incorporated.
  - Extra anti-entrapment protection system at the entrance, mounted on the AS-260 splash guard supplement (optional).
  - Open door blocking system.
  - IPX4 protection system.
  - System for detection of blockage of conveyor carriage and automatic reverse function.
  - Energy-saving system: reduces consumption by halting operation of the pumps, and by passing the heating of the rinse to stand-by mode (70 °C).
  - Auto-timer which deactivates the conveyor motor after a pre-set period of inactivity (10 minutes)."
  - AS-260 splash guard supplement.
  - First Wash with cold water.
  - High-power washing system with 5 upper and 5 lower washing branches.
  - Rinse and pre-rinse, both double effect.
  - 3 programs 140, 205 and 270 baskets/hour.
- Entry through the right part of the machine.  
 CW: Model prepared for connection with cold water from the network (input temperature <math>\langle \langle \rangle \rangle > 50 \text{ }^\circ\text{C}</math>.).

**POSSIBLE OPTIONS :**

- Electric transformation to 230V three-phase without neutral (230V 3 ~)
- Electric transformation to marine version (440V 3~ 60 Hz.)
- Drying tunnel 800 mm
- Inner energy recovery system

**DIMENSIONS**



X Width	2660 mm	X Gross width	2750 mm
Y Depth	790 mm	Y Gross depth	960 mm
Z Height	1560 mm	Z Gross height	1900 mm
Net Weight	434,0 kg	Gross Weight	628,0 kg
Net volume	3,874 m3	Gross volume	5,016 m3

**ELECTRICITY TECHNICAL SPECIFICATIONS**

Electric power	49,000 kW
Voltage	380-415V
Phases	3N
Electric frequency	50Hz
Amperage (A)	77,2
Engine power	4,40 kW
Heating power	44,00 kW

**WATER TECHNICAL SPECIFICATIONS**

Pressure	H2O: 200-400kPa(2-4bar)
Water max consumption	240,00 L/h
Maximum Temperature	Water Inlet Max Temp:60°C

**COLD TECHNICAL SPECIFICATIONS**

Noise level	72,00 dB
-------------	----------

**CONNECTIONS TECHNICAL SPECIFICATIONS**

230 V three-phase wiring	3X70+T - 180 A
Three-phase +N 400V wiring	4X25+T - 100 A
Drain 1 diameter	38





**Catalogue**  
FOOD SERVICE  
**Chapter**  
DISHWASHING

**Specific model**  
CCO-270 R CW 380-415V 3N 50Hz

19048612

12/06/2024

- Anti-splash guard supplement (exit)

**POSSIBLE ACCESSORIES :**

- BASKETS
- BASKETS FOR DISHWASHERS
- BASKETS FOR GLASSES
- MODULAR ELEMENTS
- TABLES FOR RACK TYPE DISHWASH.

**SUPPLIED ACCESSORIES:**

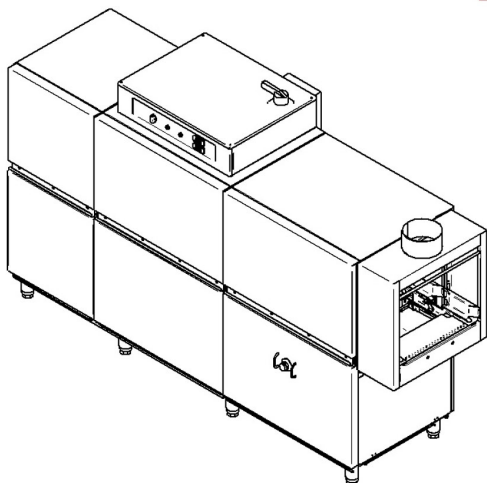
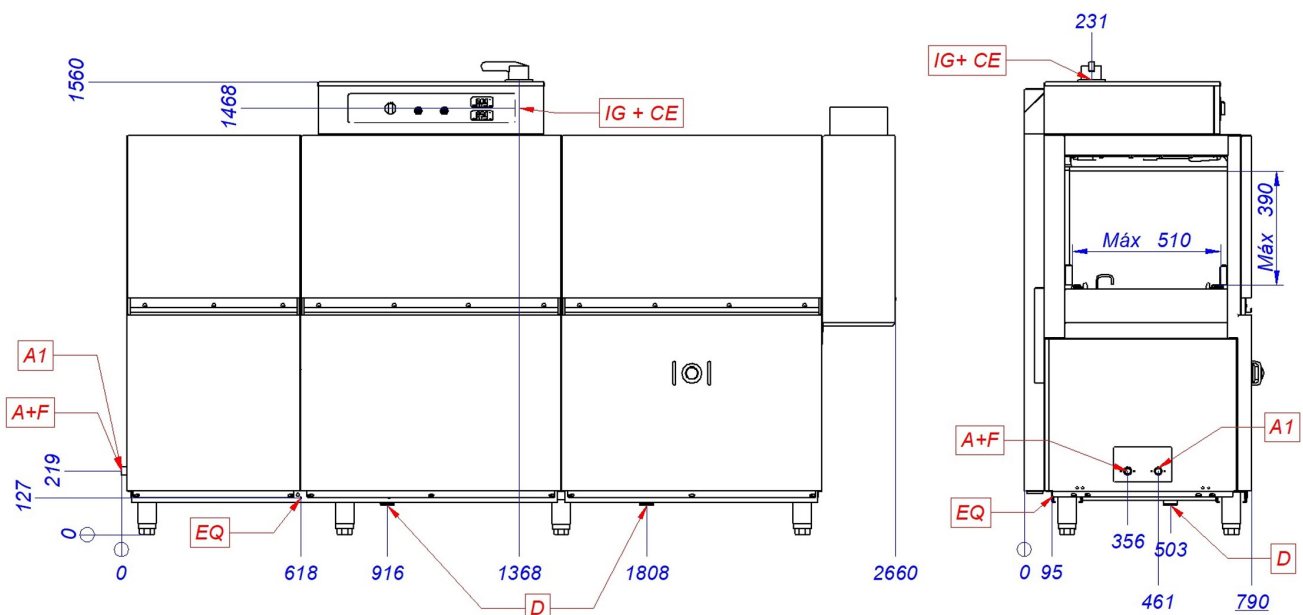
- 19000484 Glass basket, 500x500x110 mm. 2
- 19000487 Basket for 16-18 plates, 500x500x110 mm. 2
- 19000488 Baskets for 16 glasses and cups with 110 mm diameter and 100 mm height. 1
- 19036306 Standard basket with dense base 1

**Catalogue**  
FOOD SERVICE  
**Chapter**  
DISHWASHING

**Specific model**  
CCO-270 R CW 380-415V 3N 50Hz

19048612

12/06/2024



<b>A+F</b>	Entrada de agua + filtro	Water inlet & filter	Entrée d'eau & filtrer
<b>A1</b>	Válvula de llenado	Fill valve	Vanne de remplissage
<b>CE</b>	Alimentación eléctrica	Power supply	Connexion électrique
<b>D</b>	Desagüe	Drain	Vindage
<b>EQ</b>	Toma equipotencial	Equipotential bonding terminal	Connexion Équipotentielle
<b>IG</b>	Interruptor general	General switch	Interrupteur général