



**Catalogue**  
FOOD SERVICE  
**Chapter**  
DISHWASHING

**Specific model**  
CO-110 HRS B DD 380-415V 3N 50Hz

19075273

11/06/2024

**DENOMINATION:**

Hood-type dishwasher with simple control, heat recovery system, built-in drain pump and detergent doser

**DESCRIPTION :**

- Hood-Type dishwashers - EVO Generation
- Constructed in stainless steel.
- Counterbalanced hood with handle and spring system.
- Double rotating wash and rinse system, top and bottom, in stainless steel.
- 440 mm hood opening (Accepts GN 1/1 trays).
- 750 W wash pump providing high water flow.
- Rounded tank to facilitate washing and drainage.
- Stainless steel armoured heating elements in the wash tank and rinse boiler.
- Multi-voltage: Allows the machine to be connected to a single-phase or three-phase voltage network. (230 1N~/230 3~/400V 3N~).- AISI-304 stainless steel filter trays in the wash tank.
- Thermostatic control of temperatures (wash, 60°C, and rinse, 85°C).
- Thermal stop system which guarantees a rinse temperature of 85°C.
- Safety stop switch in hood opening.
- Safety thermostat.
- Water consumption per 2.4 litre cycle.
- Model for 500 x 500 mm baskets.
- Model with highly resistant control buttons.
- 90s, 120s, 180s and 600s wash cycles.
- Theoretical maximum production of 40 baskets/hour.
- Tank with volume of 33 litres, with 4.5 kW heating element.
- Boiler with volume of 9 litres, with 6 kW heating element.
- Alternating or simultaneous tank and boiler heating.
- Thermal stop system which guarantees a rinse temperature of 85°C. Standard factory setting disabled.
- Maximum Total power: 6.75 kW (alternating) or 11.25 kW (simultaneous).
- IPX4 anti-humidity protection.
- Machine with heat recovery system - power 30 W Total high of the machine: 1.920 mm
- Built-in drain pump - power 95 W - drainage cycle
- Built-in detergent doser.

**POSSIBLE OPTIONS :**

- Electric connection for ships 440V

**DIMENSIONS**



X Width	630 mm	X Gross width	765 mm
Y Depth	750 mm	Y Gross depth	905 mm
Z Height	2020 mm	Z Gross height	1760 mm
Net Weight	126,0 kg	Gross Weight	146,0 kg
Net volume	0,954 m3	Gross volume	1,218 m3

**ELECTRICITY TECHNICAL SPECIFICATIONS**

Engine power	0,75 kW
Electric power	11,250 kW
Amperage (A)	18,48
Heating power	6,00 kW
Voltage	380-415V - 3N
Electric frequency	50Hz

**MULTIPOWER**

CONNECTION	RATED POWER (kW)	RATED CURRENT (A)	BOILER (kW)	TANK (kW)	
230V, 1N~	3,75 kW	16,3 A	3 kW	2,25 kW	ALT
230V, 1N~	4,75 kW	20,65 A	4 kW	3 kW	ALT
230V, 1N~	6,75 kW	29,35 A	6 kW	4,5 kW	ALT
230V, 1N~	6 kW	26,1 A	3 kW	2,25 kW	SIM
230V, 1N~	7,75 kW	33,7 A	4 kW	3 kW	SIM
230V, 1N~	11,25 kW	48,91 A	6 kW	4,5 kW	SIM
400V, 3N~	6,75 kW	11,96 A	6 kW	4,5 kW	ALT
<b>400V, 3N~</b>	<b>11,25 kW</b>	<b>18,48 A</b>	<b>6 kW</b>	<b>4,5 kW</b>	<b>SIM</b>
230V, 3~	6,75 kW	18,32 A	6 kW	4,5 kW	ALT
230V, 3~	11,25 kW	29,62 A	6 kW	4,5 kW	SIM





**Catalogue**  
FOOD SERVICE  
**Chapter**  
DISHWASHING

**Specific model**  
CO-110 HRS B DD 380-415V 3N 50Hz

19075273

11/06/2024

**POSSIBLE ACCESSORIES :**

- TAPS
- BASKETS FOR DISHWASHERS
- BASKETS FOR GLASSES
- WATER SOFTENERS
- ENTRY-EXIT TABLES EVO
- TABLES FOR HOOD
- ENTRY-EXIT TABLES

**SUPPLIED ACCESSORIES:**

- 19000484 Glass basket, 500x500x110 mm. 1
- 19000487 Basket for 16-18 plates, 500x500x110 mm. 1
- 19000792 Cutlery basket for 15 pieces of cutlery, 105x105x130 mm. 2

**WATER TECHNICAL SPECIFICATIONS**

Pressure	H2O: 200-400kPa(2-4bar)
Water max consumption	60,00 L/h
Maximum Temperature	Water Inlet Max Temp:60°C

**CONNECTIONS TECHNICAL SPECIFICATIONS**

230 V three-phase wiring	3X10+T - 63 A
Single-phase 230V wiring	2X16+T - 80 A
Three-phase +N 400V wiring	4X6+T - 40 A
Drain 1 diameter	2"

**OTHERS**

Noise level	72,00 dB
-------------	----------

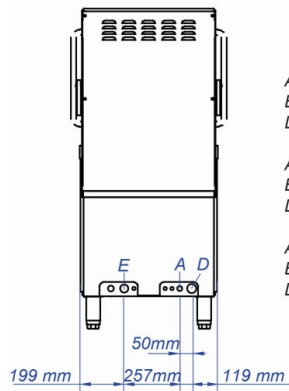
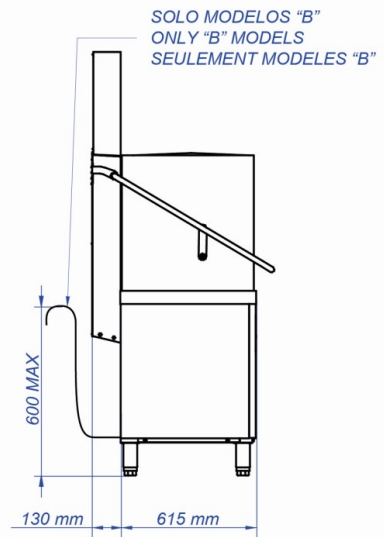
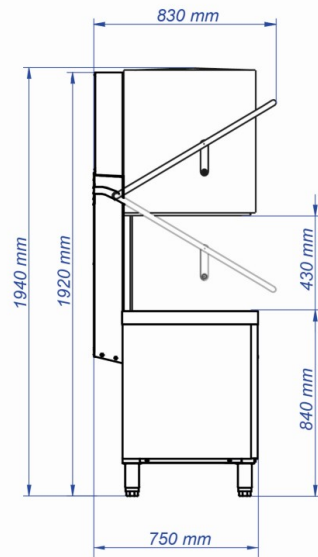
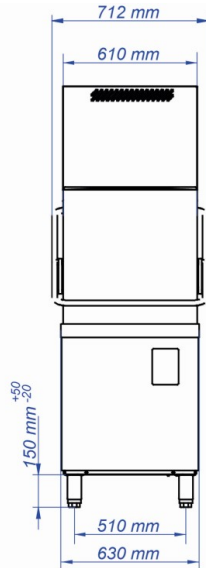


**Catalogue**  
FOOD SERVICE  
**Chapter**  
DISHWASHING

**Specific model**  
CO-110 HRS B DD 380-415V 3N 50Hz

19075273

11/06/2024



A: ENTRADA DE AGUA  
E: ALIMENTACIÓN ELÉCTRICA  
D: DESAGÜE

A: WATER INLET  
E: ELECTRICAL CONNECTION  
D: DRAIN

A: ARRIVÉE D'EAU  
E: CONNEXION ÉLECTRIQUE  
D: VIDANGE

