



Catalogue
FOOD SERVICE
Chapter
DISHWASHING

Specific model
CO-110 B DD 380-415V 3N 50Hz

19075272

11/06/2024

DENOMINATION:

Hood-type dishwasher with simple control, built-in drain pump and detergent doser

DESCRIPTION :

- Hood-Type dishwashers - EVO Generation
- Constructed in stainless steel.
- Counterbalanced hood with handle and spring system.
- Double rotating wash and rinse system, top and bottom, in stainless steel.
- 440 mm hood opening (Accepts GN 1/1 trays).
- 750 W wash pump providing high water flow.
- Rounded tank to facilitate washing and drainage.
- Stainless steel armoured heating elements in the wash tank and rinse boiler.
- Multi-voltage: Allows the machine to be connected to a single-phase or three-phase voltage network. (230 1N~/230 3~/400V 3N~).- AISI-304 stainless steel filter trays in the wash tank.
- Thermostatic control of temperatures (wash, 60°C, and rinse, 85°C).
- Thermal stop system which guarantees a rinse temperature of 85°C.
- Safety stop switch in hood opening.
- Safety thermostat.
- Water consumption per 2.4 litre cycle.
- Model for 500 x 500 mm baskets.
- Model with highly resistant control buttons.
- 90s, 120s, 180s and 600s wash cycles.
- Theoretical maximum production of 40 baskets/hour.
- Tank with volume of 33 litres, with 4.5 kW heating element.
- Boiler with volume of 9 litres, with 6 kW heating element.
- Alternating or simultaneous tank and boiler heating.
- Thermal stop system which guarantees a rinse temperature of 85°C. Standard factory setting disabled.
- Maximum Total power: 6.75 kW (alternating) or 11.25 kW (simultaneous).
- IPX4 anti-humidity protection.
- Built-in drain pump - power 95 W - drainage cycle
- Built-in detergent doser.

POSSIBLE OPTIONS :

- Electric connection for ships 440V

POSSIBLE ACCESSORIES :

DIMENSIONS



X Width	630 mm	X Gross width	765 mm
Y Depth	750 mm	Y Gross depth	905 mm
Z Height	1465 mm	Z Gross height	1610 mm
Net Weight	92,0 kg	Gross Weight	114,0 kg
Net volume	0,659 m3	Gross volume	1,115 m3

ELECTRICITY TECHNICAL SPECIFICATIONS

Engine power	0,75 kW
Electric power	11,250 kW
Amperage (A)	18,48
Heating power	6,00 kW
Voltage	380-415V - 3N
Electric frequency	50Hz

MULTIPOWER

CONNECTION	RATED POWER (kW)	RATED CURRENT (A)	BOILER (kW)	TANK (kW)	
230V, 1N~	3,75 kW	16,3 A	3 kW	2,25 kW	ALT
230V, 1N~	4,75 kW	20,65 A	4 kW	3 kW	ALT
230V, 1N~	6,75 kW	29,35 A	6 kW	4,5 kW	ALT
230V, 1N~	6 kW	26,1 A	3 kW	2,25 kW	SIM
230V, 1N~	7,75 kW	33,7 A	4 kW	3 kW	SIM
230V, 1N~	11,25 kW	48,91 A	6 kW	4,5 kW	SIM
400V, 3N~	6,75 kW	11,96 A	6 kW	4,5 kW	ALT
400V, 3N~	11,25 kW	18,48 A	6 kW	4,5 kW	SIM
230V, 3~	6,75 kW	18,32 A	6 kW	4,5 kW	ALT
230V, 3~	11,25 kW	29,62 A	6 kW	4,5 kW	SIM





Catalogue
FOOD SERVICE
Chapter
DISHWASHING

Specific model
CO-110 B DD 380-415V 3N 50Hz

19075272

11/06/2024

- TAPS
- BASKETS FOR DISHWASHERS
- BASKETS FOR GLASSES
- WATER SOFTENERS
- ENTRY-EXIT TABLES EVO
- TABLES FOR HOOD
- ENTRY-EXIT TABLES

SUPPLIED ACCESSORIES:

- 19000484 Glass basket, 500x500x110 mm. 1
- 19000487 Basket for 16-18 plates, 500x500x110 mm. 1
- 19000792 Cutlery basket for 15 pieces of cutlery, 105x105x130 mm. 2

WATER TECHNICAL SPECIFICATIONS

Pressure	H2O: 200-400kPa(2-4bar)
Water max consumption	60,00 L/h
Maximum Temperature	Water Inlet Max Temp:60°C

CONNECTIONS TECHNICAL SPECIFICATIONS

230 V three-phase wiring	3X10+T - 63 A
Single-phase 230V wiring	2X16+T - 80 A
Three-phase +N 400V wiring	4X6+T - 40 A
Drain 1 diameter	2"

OTHERS

Noise level	72,00 dB
-------------	----------

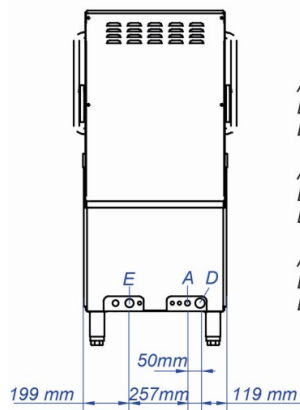
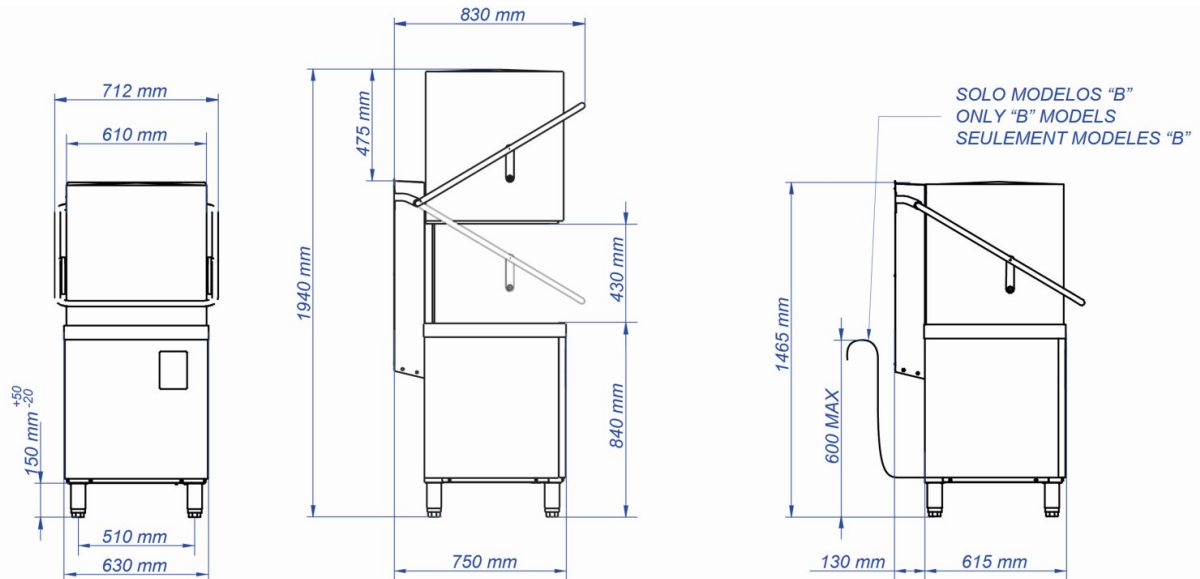


Catalogue
FOOD SERVICE
Chapter
DISHWASHING

Specific model
CO-110 B DD 380-415V 3N 50Hz

19075272

11/06/2024



A: ENTRADA DE AGUA
E: ALIMENTACIÓN ELÉCTRICA
D: DESAGÜE

A: WATER INLET
E: ELECTRICAL CONNECTION
D: DRAIN

A: ARRIVÉE D'EAU
E: CONNEXION ÉLECTRIQUE
D: VIDANGE

