



**Catalogue**  
FOOD SERVICE  
**Chapter**  
DISHWASHING

**Specific model**  
CO-142 B 380-415V 3N 50Hz

19075277

14/06/2024

**DENOMINATION:**

Hood-type dishwasher with electronic control with built-in drain pump

**DESCRIPTION :**

- Hood-Type dishwashers - EVO Generation
- Constructed in stainless steel.
- Counterbalanced hood with handle and spring system.
- Double rotating wash and rinse system, top and bottom, in stainless steel.
- 440 mm hood opening (Accepts GN 1/1 trays).
- 750 W wash pump providing high water flow.
- Rounded tank to facilitate washing and drainage.
- Stainless steel armoured heating elements in the wash tank and rinse boiler.
- Multi-voltage: Allows the machine to be connected to a single-phase or three-phase voltage network. (230 1N~/230 3~/400V 3N~).- AISI-304 stainless steel filter trays in the wash tank.
- Thermostatic control of temperatures (wash, 60°C, and rinse, 85°C).
- Thermal stop system which guarantees a rinse temperature of 85°C.
- Safety stop switch in hood opening.
- Safety thermostat.
- Water consumption per 2.4 litre cycle.
- Model for 500 x 500 mm baskets.
- Model with electronic control and display of temperature, functions and errors.
- 55s, 75s, 120s and 600s wash cycles.
- Theoretical maximum production of 65 baskets/hour (1170 plates/h).
- Tank with volume of 33 litres, with 4.5 kW heating element.
- Boiler with volume of 9 litres, with 9 kW heating element.
- Alternating or simultaneous tank and boiler heating.
- Thermal stop system which guarantees a rinse temperature of 85°C. Standard factory setting disabled.
- Maximum Total power: 9.75 kW (alternating) or 14.75 kW (simultaneous).
- IPX4 anti-humidity protection.
- Built-in drain pump - power 95 W - drainage cycle

**POSSIBLE OPTIONS :**

- Electric connection for ships 440V

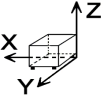
**POSSIBLE ACCESSORIES :**

- TAPS
- BASKETS FOR DISHWASHERS
- BASKETS FOR GLASSES
- WATER SOFTENERS
- ENTRY-EXIT TABLES EVO
- TABLES FOR HOOD
- VARIOUS KITS EVO
- ENTRY-EXIT TABLES

**SUPPLIED ACCESSORIES:**

- 19000484 Glass basket, 500x500x110 mm. 1
- 19000487 Basket for 16-18 plates, 500x500x110 mm. 1
- 19000792 Cutlery basket for 15 pieces of cutlery, 105x105x130 mm. 2

**DIMENSIONS**



|            |          |                |          |
|------------|----------|----------------|----------|
| X Width    | 630 mm   | X Gross width  | 765 mm   |
| Y Depth    | 750 mm   | Y Gross depth  | 905 mm   |
| Z Height   | 1465 mm  | Z Gross height | 1610 mm  |
| Net Weight | 92,0 kg  | Gross Weight   | 114,0 kg |
| Net volume | 0,659 m3 | Gross volume   | 1,115 m3 |

**ELECTRICITY TECHNICAL SPECIFICATIONS**

|                    |           |
|--------------------|-----------|
| Electric power     | 14,250 kW |
| Voltage            | 380-415V  |
| Phases             | 3N        |
| Electric frequency | 50Hz      |
| Amperage (A)       | 22,83     |
| Engine power       | 0,75 kW   |
| Heating power      | 9,00 kW   |

**MULTIPOWER**

| CONNECTION       | RATED POWER (kW) | RATED CURRENT (A) | BOILER (kW) | TANK (kW)     |            |
|------------------|------------------|-------------------|-------------|---------------|------------|
| 230V, 1N~        | 5,25 kW          | 22,83 A           | 4,5 kW      | 2,3 kW        | ALT        |
| 230V, 1N~        | 6,75 kW          | 29,35 A           | 6 kW        | 3 kW          | ALT        |
| 230V, 1N~        | 9,75 kW          | 42,39 A           | 9 kW        | 4,5 kW        | SIM        |
| 230V, 1N~        | 7,5 kW           | 32,61 A           | 4,5 kW      | 2,3 kW        | SIM        |
| 230V, 1N~        | 9,75 kW          | 42,39 A           | 6 kW        | 3 kW          | SIM        |
| 400V, 3N~        | 9,75 kW          | 16,3 A            | 9 kW        | 4,5 kW        | ALT        |
| <b>400V, 3N~</b> | <b>14,25 kW</b>  | <b>22,83 A</b>    | <b>9 kW</b> | <b>4,5 kW</b> | <b>SIM</b> |
| 230V, 3~         | 9,75 kW          | 25,85 A           | 9 kW        | 4,5 kW        | ALT        |
| 230V, 3~         | 14,25 kW         | 37,15 A           | 9 kW        | 4,5 kW        | SIM        |

**WATER TECHNICAL SPECIFICATIONS**

|                       |                           |
|-----------------------|---------------------------|
| Pressure              | H2O: 200-400kPa(2-4bar)   |
| Water max consumption | 60,00 L/h                 |
| Maximum Temperature   | Water Inlet Max Temp:60°C |

**COLD TECHNICAL SPECIFICATIONS**

|             |          |
|-------------|----------|
| Noise level | 72,00 dB |
|-------------|----------|

**CONNECTIONS TECHNICAL SPECIFICATIONS**

|                          |               |
|--------------------------|---------------|
| 230 V three-phase wiring | 3X10+T - 63 A |
| Single-phase 230V wiring | 2X16+T - 80 A |





**Catalogue**  
FOOD SERVICE  
**Chapter**  
DISHWASHING

**Specific model**  
CO-142 B 380-415V 3N 50Hz

19075277

14/06/2024

Three-phase +N 400V wiring

4X6+T - 40 A

Drain 1 diameter

2"

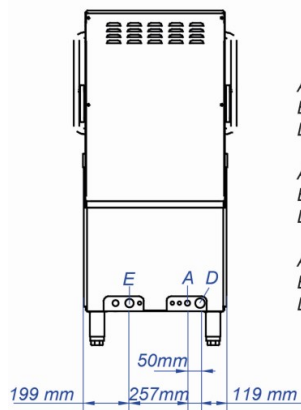
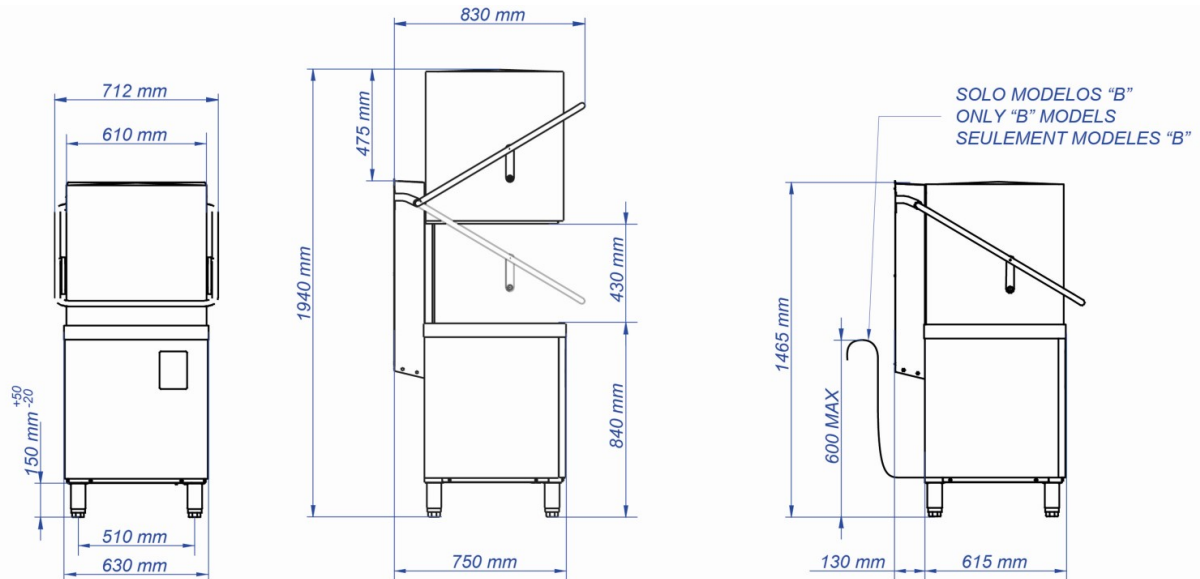


**Catalogue**  
FOOD SERVICE  
**Chapter**  
DISHWASHING

**Specific model**  
CO-142 B 380-415V 3N 50Hz

19075277

14/06/2024



A: ENTRADA DE AGUA  
E: ALIMENTACIÓN ELÉCTRICA  
D: DESAGÜE

A: WATER INLET  
E: ELECTRICAL CONNECTION  
D: DRAIN

A: ARRIVÉE D'EAU  
E: CONNEXION ÉLECTRIQUE  
D: VIDANGE

