



Catalogue
FOOD SERVICE
Chapter
DISHWASHING

Specific model
COP-144 380-415V 3N 50Hz

19073920

14/06/2024

DENOMINATION:

Hood-type dishwasher with electronic control and rinse pump

DESCRIPTION :

- Hood-Type dishwashers - EVO Generation
 - Constructed in stainless steel.
 - Counterbalanced hood with handle and spring system.
 - Double rotating wash and rinse system, top and bottom, in stainless steel.
 - 440 mm hood opening (Accepts GN 1/1 trays).
 - 750 W wash pump providing high water flow.
 - Rounded tank to facilitate washing and drainage.
 - Stainless steel armoured heating elements in the wash tank and rinse boiler.
 - Multi-voltage: Allows the machine to be connected to a single-phase or three-phase voltage network. (230 1N~/230 3~/400V 3N~).- AISI-304 stainless steel filter trays in the wash tank.
 - Thermostatic control of temperatures (wash, 60°C, and rinse, 85°C).
 - Thermal stop system which guarantees a rinse temperature of 85°C.
 - Safety stop switch in hood opening.
 - Safety thermostat.
 - Water consumption per 2.4 litre cycle.
 - Model for 500 x 500 mm baskets.
 - Model with electronic control and display of temperature, functions and errors.
 - Electronic programmer with help system for technical service.
 - Rinse pump which guarantees a perfect hygiene result with complete linear rinse cycle at 85°C. (EFFIRINSE) de acuerdo con las especificaciones de seguridad e higiene de la norma DIN10512.
 - Air Brake check valve system type AA according to EN 1717/WRAS.
 - 55s, 75s, 120s and 600s wash cycles.
 - Theoretical maximum production of 65 baskets/hour (1170 plates/h).
 - Tank with volume of 33 litres, with 4.5 kW heating element.
 - Boiler with volume of 9 litres, with 9 kW heating element.
 - Alternating or simultaneous tank and boiler heating.
 - Maximum Total power: 9.75 kW (alternating) or 14.75 kW (simultaneous).
 - IPX4 anti-humidity protection.
- Rinse pump - 150 W

POSSIBLE OPTIONS :

- Electric connection for phases 440V

DIMENSIONS



X Width	630 mm	X Gross width	765 mm
Y Depth	750 mm	Y Gross depth	905 mm
Z Height	1465 mm	Z Gross height	1610 mm
Net Weight	93,0 kg	Gross Weight	115,0 kg
Net volume	0,659 m3	Gross volume	1,115 m3

ELECTRICITY TECHNICAL SPECIFICATIONS

Electric power	14,250 kW
Voltage	380-415V
Phases	3N
Electric frequency	50Hz
Amperage (A)	22,83
Engine power	0,75 kW
Heating power	9,00 kW

MULTIPOWER

CONNECTION	RATED POWER (kW)	RATED CURRENT (A)	BOILER (kW)	TANK (kW)	
230V, 1N~	5,25 kW	22,83 A	4,5 kW	2,3 kW	ALT
230V, 1N~	6,75 kW	29,35 A	6 kW	3 kW	ALT
230V, 1N~	9,75 kW	42,39 A	9 kW	4,5 kW	SIM
230V, 1N~	7,5 kW	32,61 A	4,5 kW	2,3 kW	SIM
230V, 1N~	9,75 kW	42,39 A	6 kW	3 kW	SIM
400V, 3N~	9,75 kW	16,3 A	9 kW	4,5 kW	ALT
400V, 3N~	14,25 kW	22,83 A	9 kW	4,5 kW	SIM
230V, 3~	9,75 kW	25,85 A	9 kW	4,5 kW	ALT
230V, 3~	14,25 kW	37,15 A	9 kW	4,5 kW	SIM



Catalogue
FOOD SERVICE
Chapter
DISHWASHING

Specific model
COP-144 380-415V 3N 50Hz

19073920

14/06/2024

POSSIBLE ACCESSORIES :

- TAPS
- BASKETS FOR DISHWASHERS
- BASKETS FOR GLASSES
- WATER SOFTENERS
- REVERSE OSMOSIS
- ENTRY-EXIT TABLES EVO
- TABLES FOR HOOD
- VARIOUS KITS EVO
- ENTRY-EXIT TABLES

SUPPLIED ACCESSORIES:

- 19000484 Glass basket, 500x500x110 mm. 1
- 19000487 Basket for 16-18 plates, 500x500x110 mm. 1
- 19000792 Cutlery basket for 15 pieces of cutlery, 105x105x130 mm. 2

WATER TECHNICAL SPECIFICATIONS

Pressure	H2O: 100-400kPa (1-4bar)
Water max consumption	60,00 L/h
Maximum Temperature	Water Inlet Max Temp:60°C

COLD TECHNICAL SPECIFICATIONS

Noise level	72,00 dB
-------------	----------

CONNECTIONS TECHNICAL SPECIFICATIONS

230 V three-phase wiring	3X10+T - 63 A
Single-phase 230V wiring	2X16+T - 80 A
Three-phase +N 400V wiring	4X6+T - 40 A
Drain 1 diameter	2"

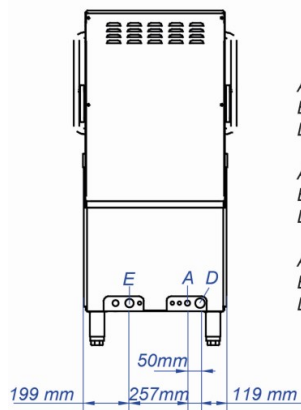
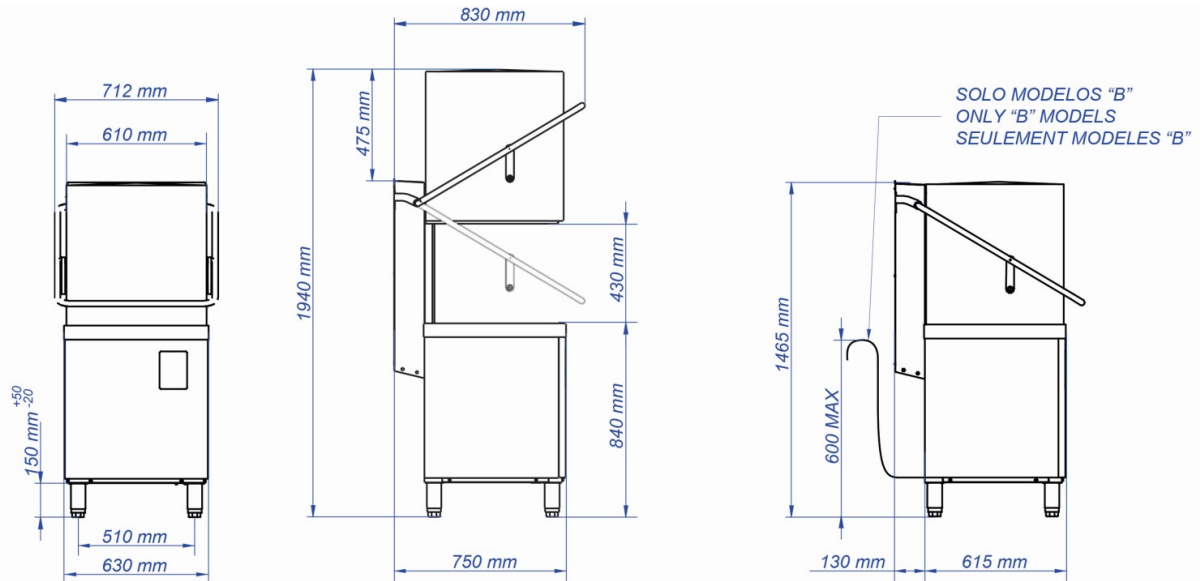


Catalogue
FOOD SERVICE
Chapter
DISHWASHING

Specific model
COP-144 380-415V 3N 50Hz

19073920

14/06/2024



A: ENTRADA DE AGUA
E: ALIMENTACIÓN ELÉCTRICA
D: DESAGÜE

A: WATER INLET
E: ELECTRICAL CONNECTION
D: DRAIN

A: ARRIVÉE D'EAU
E: CONNEXION ÉLECTRIQUE
D: VIDANGE

