



**Catalogue**  
FOOD SERVICE  
**Chapter**  
DISHWASHING

**Specific model**  
AD-125 SOFT HRS 380-415V 3N 50Hz

19074195

11/06/2024

**DENOMINATION:**

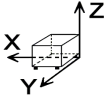
Hood-type dishwasher with digital control with heat recovery system and built-in descaling unit

**DESCRIPTION :**

- Hood-Type dishwashers - EVO Generation
- Constructed in stainless steel.
- Counterbalanced hood with handle and spring system.
- Double rotating wash and rinse system, top and bottom, in stainless steel.
- 440 mm hood opening (Accepts GN 1/1 trays).
- 750 W wash pump providing high water flow.
- Rounded tank to facilitate washing and drainage.
- Stainless steel armoured heating elements in the wash tank and rinse boiler.
- Multi-voltage: Allows the machine to be connected to a single-phase or three-phase voltage network. (230 1N~/230 3~/400V 3N~).- AISI-304 stainless steel filter trays in the wash tank.
- Thermostatic control of temperatures (wash, 60°C, and rinse, 85°C).
- Thermal stop system which guarantees a rinse temperature of 85°C.
- Safety stop switch in hood opening.
- Safety thermostat.
- Water consumption per 2.4 litre cycle.
- Model for 500 x 500 mm baskets.
- Model with electronic and digital control.
- Digital display with information on programs, times and temperatures.
- Electronic programmer with help system for technical service.
- Rinse pump which guarantees a perfect hygiene result with complete linear rinse cycle at 85°C. (EFFIRINSE) de acuerdo con las especificaciones de seguridad e higiene de la norma DIN10512.
- 55s, 75s, 120s, 480s and 'Glass' wash cycles.
- 'Glass' wash program for glassware, complying with the safety and hygiene specifications of regulation DIN10511.
- Theoretical maximum production of 65 baskets/hour (1170 plates/h).
- Program for tank emptying cycle.
- Double-walled Hood with special compressed insulating material.
- Tank with volume of 28 litres, with 2.1 kW heating element.
- Boiler with volume of 9 litres, with 9 kW heating element.
- Simultaneous tank and boiler heating.
- Maximum Total power: 11.85 kW (simultaneous).
- Drainage pump - power 70 W - tank emptying program.
- Rinse aid doser incorporated.
- Rinse aid doser incorporated.- Air Brake check valve system type AA according to EN 1717/WRAS.
- IPX5 anti-humidity protection.
- 55s, 75s, 120s and 480s wash cycles.
- Double-walled Hood with special compressed insulating material.
- Machine with heat recovery system - power 30 W Total high of the machine: 1.920 mm
- Rinse pump - 150 W
- Built-in drain pump - power 95 W - drainage cycle
- Built-in detergent doser.
- Built-in descaling unit and timer for regeneration cycle

**POSSIBLE OPTIONS :**

**DIMENSIONS**



X Width	630 mm	X Gross width	765 mm
Y Depth	750 mm	Y Gross depth	905 mm
Z Height	2020 mm	Z Gross height	1760 mm
Net Weight	171,0 kg	Gross Weight	191,0 kg
Net volume	0,954 m3	Gross volume	1,218 m3

**ELECTRICITY TECHNICAL SPECIFICATIONS**

Engine power	0,75 kW
Electric power	11,850 kW
Amperage (A)	19,3
Heating power	9,00 kW
Voltage	380-415V - 3N
Electric frequency	50Hz

**MULTIPOWER**

CONNECTION	RATED POWER (kW)	RATED CURRENT (A)	BOILER (kW)	TANK (kW)	
230V, 1N~	6,2 kW	27,4 A	4,5 kW	1 kW	SIM
230V, 1N~	8,15 kW	35,4 A	6 kW	1,4 kW	SIM
<b>400V, 3N~</b>	<b>11,85 kW</b>	<b>19,3 A</b>	<b>9 kW</b>	<b>2,1 kW</b>	<b>SIM</b>
230V, 3~	11,85 kW	31,1 A	9 kW	2,1 kW	SIM

**WATER TECHNICAL SPECIFICATIONS**

Pressure	H2O: 100-400kPa (1-4bar)
Water max consumption	60,00 L/h
Maximum Temperature	Water Inlet Max Temp:60°C

**CONNECTIONS TECHNICAL SPECIFICATIONS**

230 V three-phase wiring	3X10+T - 63 A
Single-phase 230V wiring	2X16+T - 80 A
Three-phase +N 400V wiring	4X6+T - 40 A
Drain 1 diameter	2"

**OTHERS**

Noise level	72,00 dB
-------------	----------





**Catalogue**  
FOOD SERVICE  
**Chapter**  
DISHWASHING

**Specific model**  
AD-125 SOFT HRS 380-415V 3N 50Hz

19074195

11/06/2024

- Electric connection for ships 440V

**POSSIBLE ACCESSORIES :**

- TAPS
- BASKETS FOR DISHWASHERS
- BASKETS FOR GLASSES
- ENTRY-EXIT TABLES EVO

**SUPPLIED ACCESSORIES:**

- 19000484 Glass basket, 500x500x110 mm. 1
- 19000487 Basket for 16-18 plates, 500x500x110 mm. 1
- 19000792 Cutlery basket for 15 pieces of cutlery, 105x105x130 mm. 2

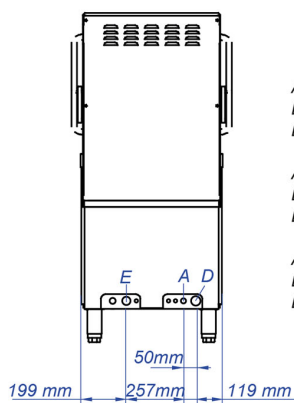
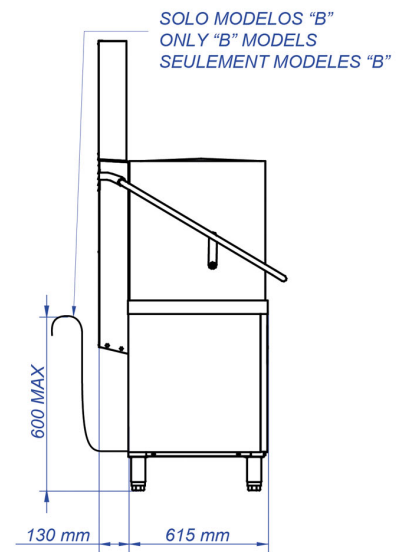
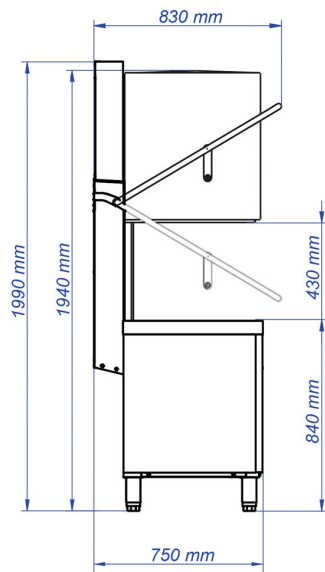
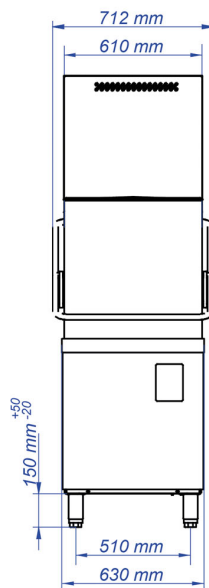


**Catalogue**  
FOOD SERVICE  
**Chapter**  
DISHWASHING

**Specific model**  
AD-125 SOFT HRS 380-415V 3N 50Hz

19074195

11/06/2024



A: ENTRADA DE AGUA  
E: ALIMENTACIÓN ELÉCTRICA  
D: DESAGÜE

A: WATER INLET  
E: ELECTRICAL CONNECTION  
D: DRAIN

A: ARRIVÉE D'EAU  
E: CONNEXION ÉLECTRIQUE  
D: VIDANGE

