



Catalogue
FOOD SERVICE
Chapter
DISHWASHING

Specific model
AD-125 HRS 380-415V 3N 50Hz

19075296

11/06/2024

DENOMINATION:

Hood-type dishwasher with digital control with heat recovery system

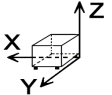
DESCRIPTION :

- Hood-Type dishwashers - EVO Generation
- Constructed in stainless steel.
- Counterbalanced hood with handle and spring system.
- Double rotating wash and rinse system, top and bottom, in stainless steel.
- 440 mm hood opening (Accepts GN 1/1 trays).
- 750 W wash pump providing high water flow.
- Rounded tank to facilitate washing and drainage.
- Stainless steel armoured heating elements in the wash tank and rinse boiler.
- Multi-voltage: Allows the machine to be connected to a single-phase or three-phase voltage network. (230 1N~/230 3~/400V 3N~).- AISI-304 stainless steel filter trays in the wash tank.
- Thermostatic control of temperatures (wash, 60°C, and rinse, 85°C).
- Thermal stop system which guarantees a rinse temperature of 85°C.
- Safety stop switch in hood opening.
- Safety thermostat.
- Water consumption per 2.4 litre cycle.
- Model for 500 x 500 mm baskets.
- Model with electronic and digital control.
- Digital display with information on programs, times and temperatures.
- Electronic programmer with help system for technical service.
- Rinse pump which guarantees a perfect hygiene result with complete linear rinse cycle at 85°C. (EFFIRINSE) de acuerdo con las especificaciones de seguridad e higiene de la norma DIN10512.
- 55s, 75s, 120s, 480s and 'Glass' wash cycles.
- 'Glass' wash program for glassware, complying with the safety and hygiene specifications of regulation DIN10511.
- Theoretical maximum production of 65 baskets/hour (1170 plates/h).
- Program for tank emptying cycle.
- Double-walled Hood with special compressed insulating material.
- Tank with volume of 28 litres, with 2.1 kW heating element.
- Boiler with volume of 9 litres, with 9 kW heating element.
- Simultaneous tank and boiler heating.
- Maximum Total power: 11.85 kW (simultaneous).
- Drainage pump - power 70 W - tank emptying program.
- Rinse aid doser incorporated.
- Rinse aid doser incorporated.- Air Brake check valve system type AA according to EN 1717/WRAS.
- IPX5 anti-humidity protection.
- 55s, 75s, 120s and 480s wash cycles.
- Double-walled Hood with special compressed insulating material.
- Machine with heat recovery system - power 30 W Total high of the machine: 1.920 mm
- Rinse pump - 150 W
- Built-in drain pump - power 95 W - drainage cycle
- Built-in detergent doser.

POSSIBLE OPTIONS :

- Electric connection for shine 440V

DIMENSIONS



| | | | |
|------------|----------|----------------|----------|
| X Width | 630 mm | X Gross width | 765 mm |
| Y Depth | 750 mm | Y Gross depth | 905 mm |
| Z Height | 2020 mm | Z Gross height | 1760 mm |
| Net Weight | 171,0 kg | Gross Weight | 191,0 kg |
| Net volume | 0,954 m3 | Gross volume | 1,218 m3 |

ELECTRICITY TECHNICAL SPECIFICATIONS

| | |
|--------------------|---------------|
| Engine power | 0,75 kW |
| Electric power | 11,850 kW |
| Amperage (A) | 19,3 |
| Heating power | 9,00 kW |
| Voltage | 380-415V - 3N |
| Electric frequency | 50Hz |

MULTIPOWER

| CONNECTION | RATED POWER (kW) | RATED CURRENT (A) | BOILER (kW) | TANK (kW) | |
|------------------|------------------|-------------------|-------------|---------------|------------|
| 230V, 1N~ | 6,2 kW | 27,4 A | 4,5 kW | 1 kW | SIM |
| 230V, 1N~ | 8,15 kW | 35,4 A | 6 kW | 1,4 kW | SIM |
| 400V, 3N~ | 11,85 kW | 19,3 A | 9 kW | 2,1 kW | SIM |
| 230V, 3~ | 11,85 kW | 31,1 A | 9 kW | 2,1 kW | SIM |

WATER TECHNICAL SPECIFICATIONS

| | |
|-----------------------|---------------------------|
| Pressure | H2O: 100-400kPa (1-4bar) |
| Water max consumption | 60,00 L/h |
| Maximum Temperature | Water Inlet Max Temp:60°C |

CONNECTIONS TECHNICAL SPECIFICATIONS

| | |
|----------------------------|---------------|
| 230 V three-phase wiring | 4X6 - 36 A |
| Single-phase 230V wiring | 3X10 - 53,4 A |
| Three-phase +N 400V wiring | 5X4 - 26,5 A |
| Drain 1 diameter | 2" |

OTHERS

| | |
|-------------|----------|
| Noise level | 72,00 dB |
|-------------|----------|





Catalogue
FOOD SERVICE
Chapter
DISHWASHING

Specific model
AD-125 HRS 380-415V 3N 50Hz

19075296

11/06/2024

POSSIBLE ACCESSORIES :

- TAPS
- BASKETS FOR DISHWASHERS
- BASKETS FOR GLASSES
- WATER SOFTENERS
- REVERSE OSMOSIS
- ENTRY-EXIT TABLES EVO
- TABLES FOR HOOD
- ENTRY-EXIT TABLES

SUPPLIED ACCESSORIES:

- 19000484 Glass basket, 500x500x110 mm. 1
- 19000487 Basket for 16-18 plates, 500x500x110 mm. 1
- 19000792 Cutlery basket for 15 pieces of cutlery, 105x105x130 mm. 2

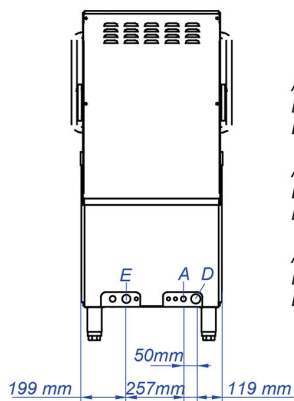
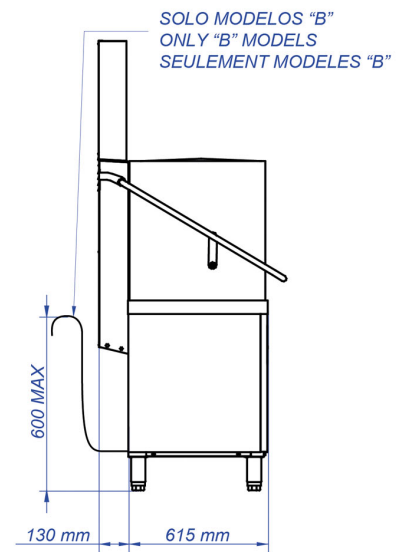
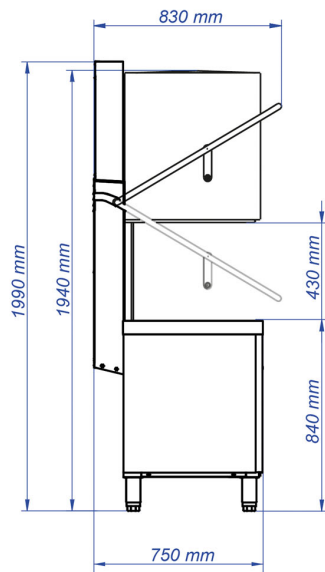
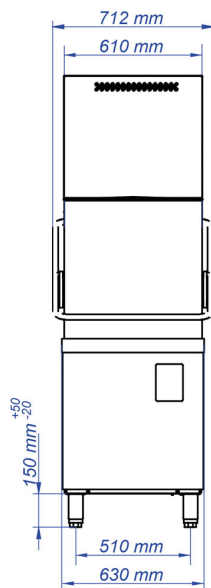


Catalogue
FOOD SERVICE
Chapter
DISHWASHING

Specific model
AD-125 HRS 380-415V 3N 50Hz

19075296

11/06/2024



A: ENTRADA DE AGUA
E: ALIMENTACIÓN ELÉCTRICA
D: DESAGÜE

A: WATER INLET
E: ELECTRICAL CONNECTION
D: DRAIN

A: ARRIVÉE D'EAU
E: CONNEXION ÉLECTRIQUE
D: VIDANGE

