



Catalogue
FOOD SERVICE
Chapter
COOKING

Specific model
C-G720 H LPG

19068057

04/09/2023

DENOMINATION:

Countertop gas cookers LPG. 2 burners, high power. 700 range.

DESCRIPTION :

- "- Stamped surface tops manufactured in 1.5 mm thick AISI-304 stainless steel.
- Laser-cut joints and automatic welding. Hidden screws.
- 397 x 580 mm double grates (397 x 290 mm for each burner) enabling the use of large pots and pans. The reduced distance of 75 mm between the central bars makes it possible to use pots with a very small diameter (8 cm), avoiding the risk of smaller pans tipping over.
- The grates are made of RAAF enamelled cast iron (resistant to alkaline and acid products, fire and high temperatures).
- Double-crown burners and diffusers made of nickel-plated cast iron which guarantee an even distribution of heat from the flame to the base of the pans, even for large pans. This therefore prevents heat from building up in a specific point and optimises energy transfer to the product.
- Burners of different strengths to adapt to containers and for use with different foods:
 - 5.25 kW (Ø 100 mm),
 - 8.0 kW(Ø 120 mm),
- Burners are easy to position.
- Low-consumption pilot light and thermocouple located within the body of the burner for greater protection.
- Flexible stainless-steel gas pipes, facilitating internal manipulations in order to make repairs easier.
- Controls with a protective support base and system to prevent water infiltration.
- High-temperature enamelled cast iron flue protector which is flush with the grates therefore improving manoeuvrability, supporting larger containers and increasing the usable surface area.
- Access to components from the front."

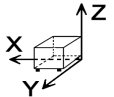
POSSIBLE OPTIONS :

- Wheels Kit (Factory Assembly)

POSSIBLE ACCESSORIES :

- ACCESSORIES KORE
- STANDS 700
- COOKER ACCESSORIES KORE
- TALL CHIMNEY KORE

DIMENSIONS



X Width	400 mm	X Gross width	440 mm
Y Depth	730 mm	Y Gross depth	822 mm
Z Height	290 mm	Z Gross height	535 mm
Net Weight	30,0 kg	Gross Weight	43,0 kg
Net volume	0,080 m3	Gross volume	0,193 m3

ELECTRICITY TECHNICAL SPECIFICATIONS

Voltage N/A - N/A

GAS TECHNICAL SPECIFICATIONS

Gas type LPG
 Gas power 16,00 kW
 Gas consumption 1,149 kg/h
 Regulated LPG G30/G31 28-30/37 mbar
 NG G20/G25/G25.1 20/25/25 mbar

CONNECTIONS TECHNICAL SPECIFICATIONS

Gas diameter 1 R.3/4"G



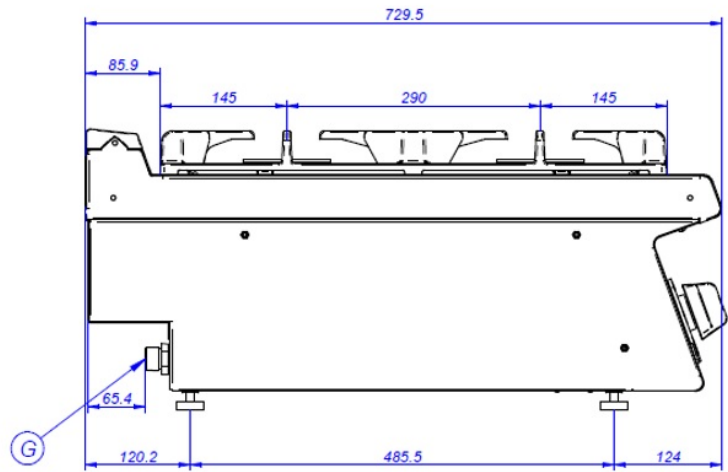
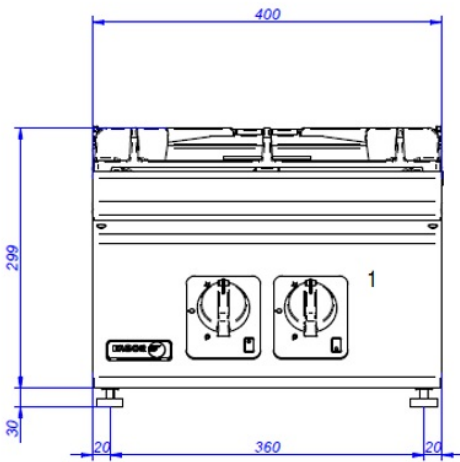
Catalogue
FOOD SERVICE
Chapter
COOKING

Specific model
C-G720 H LPG

19068057

04/09/2023

C-G720 & C-G720 H



G. Entrada de Gas
1. Válvula de gas

Gas Inlet
Gas valve