



FINISHING

STEAM CABINETS BOX-1 C/A



CHARACTERISTICS

- Cabinet supplied as standard with one trousers finishing device and one form finisher for jackets, coats, dresses, etc.
- Supplied complete with all the necessary accessories for the finishing of the trousers and of the jackets and coats (dummy, trousers waist band stretcher, curved clamp for jackets, straight trouser clamps, vertical clamps, multiple connection, wooden and silicon sleeve stretchers).
- Controlled by an easy to use microprocessor, capable of running up to nine fully automatic programs, amendable by the user.
- Automatic starting cycle after closing the door.

BOX-1 C

- Without steam boiler, to be connected to a central steam supply.
- It needs a steam inlet and outlet.
- Electrical connection: 230/400V III 50Hz

BOX-1 A

- Complete with built-in steam boiler, 16 litres, with automatic water feeding
- Automatic pressure control (4,5 bar).
- Electrical connection: 230/400V III 50Hz

OPTIONS

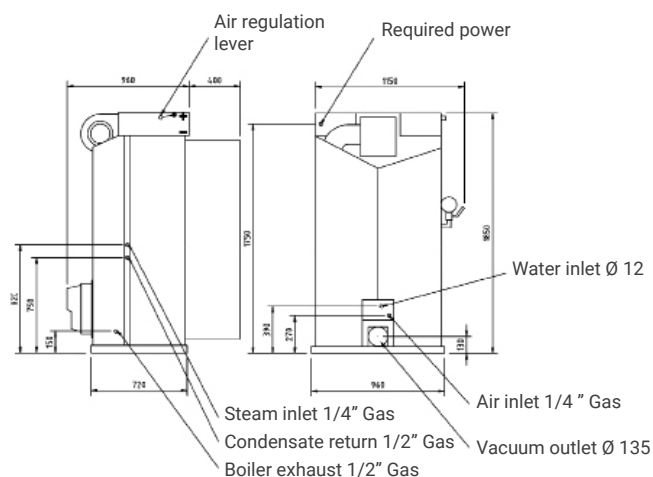
- Leg Stretcher for BOX-1 C and BOX-1 A.

TECHNICAL DATA

STEAM CABINETS | BOX-1 C/A

	UNIT.	BOX-1 A	BOX-1 C
GENERAL DETAILS			
Board dimensions	mm	-	-
Boiler	-	Yes	No
Boiler capacity	l	16	-
Compressor	-	-	-
Group of Iron	-	-	-
Steam gun	-	-	-
Polished upper buck	-	-	-
POWER			
Vacuum Motor	HP	-	-
Pump Motor	HP	0,75	-
Compressor motor	kW	15	15
Boiler Heater	kW	12	-
Fan motor	kW	1-1,5	1-1,5
CONNECTIONS			
Ø Water inlet	BSP	3/8"	-
Ø Boiler exhaust (mod. with boiler)	BSP	1/2"	-
Ø Steam inlet	BSP	-	1/2"
Ø Condensate outlet	BSP	-	-
Boiler drain	BSP	1/2"	-
Steam pressure	BAR	4-5	-
Steam Consumption	Kg/h	16-20	16-20
Ø Air inlet	BSP	1/4"	1/4"
Ø Air outlet	mm	140	140
Air pressure	BSP	4-5	4-5
Air Consumption	NI/m	6	6
DIMENSIONS / PACKING DIMENSIONS			
Width / Width	mm	1.080/1.080	1.080/1.080
Depth / Depth	mm	1.375/1.190	1.375/1.190
Height / Height	mm	1.850/2.020	1.850/2.020
Net weight / Gross weight	kg	241/309	180/248
Volume	m ³	2,75/2,60	2,75/2,60
OTHERS			
Voltage	Hz	230/400V III 50	230/400V III 50
Sound level	dB	65	65

BOX-1 A



BOX-1 C

