



FINISHING

STEAM GENERATOR MAXI-24

CHARACTERISTICS

- Electric and automatic steam boiler MAXI-24 to supply steam to models without boiler.
- Available from 12 to 22 kW.
- Water feed can be connected directly to the water mains or to a condensate tank.
- Regulation of the working steam pressure is adjustable between 1 and 7 bar.
- The boiler shed is manufactured in accordance to the current PED regulations.

OPTIONS

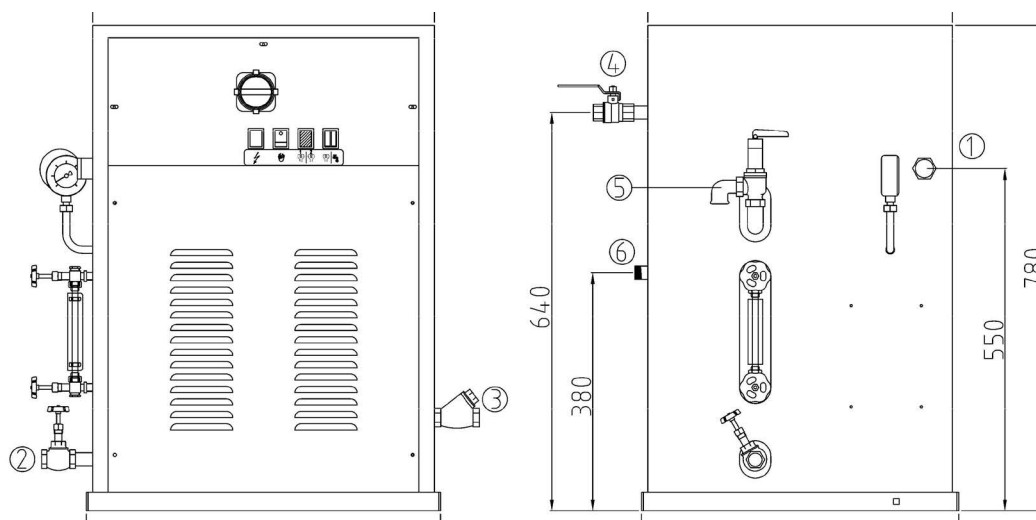
- Stainless steel condensate tank.



TECHNICAL DATA

STEAM GENERATOR | MAXI-24

	U.	MAXI-24
GENERAL DETAILS		
Boiler capacity	l	24,9
Steam pressure	Bar	0,3 - 7
Working temperature	°C	+5 ÷ +80
Working humidity	-	90% max
POWER		
Boiler heaters	kW	12-22
Steam production	Kg/h	16-29,7
Pump motor power	HP	0,5
CONNECTIONS		
Water feeding inlet	Inch	1/2"
Boiler exhaust	Inch	1/2"
Steam inlet	Inch	1/2"
Condensate return with valve	Inch	1/2"
DIMENSIONS		
Dimensions	mm	580x660x780
Net weight	kg	85
Gross weight	kg	111
Packing dimensions	mm	880x730x1.050
OTHERS		
Voltage	Hz	230/400 V III 50/60
Sound level	dB	<70



1. PG21 power supply inlet.
2. Boiler exhaust.
3. Water feeding inlet.
4. Steam inlet.
5. Safety valve.
6. Condensate return with valve.