

IRONING AND FOLDING

FLATWORK IRONERS ROLLER Ø 325 PS-20-140/160/200 M

CHARACTERISTICS

ELECTRONIC CONTROL M

- Simple and user friendly: selection of ironing speed and temperature by push buttons
- Digital speed and temperature display

EFFICIENCY

- Good heat conduction thanks to the roll material and thickness: greater control of energy expenditure
- Automatic shutdown at 80°C (adjustable parameter)
- Fumes circulation circuit from the bottom reducing energy consumption

ROBUSTNESS

- Roll driving by speed inverter
- Nomex quality ironing belts: high temperatures resistant
- Panels in skinplate and stainless steel
- Coiled felt and strips guide for longer lifespan

ERGONOMICS

- Acoustic comfort : <60 dB
- Appropriate operating height: 990mm feeding belts
- Minimal encumbrance: space saving, suitable for most areas
- Electronic control with Auto mode: easy to use, optimized ironing speed

MAINTENANCE

- Easy access to all components on both sides of the machine
- Basic connections: electrical connection and air extraction

OTHERS

- Dries and irons flat linen from a high spin washer extractor in a single operation
- Front feeding and return
- Built-in cool down system
- Polished steel roll ø 325 mm
- Working widths: 1400, 1600 and 2000 mm
- Electric heating
- CE Standard

OPTIONS

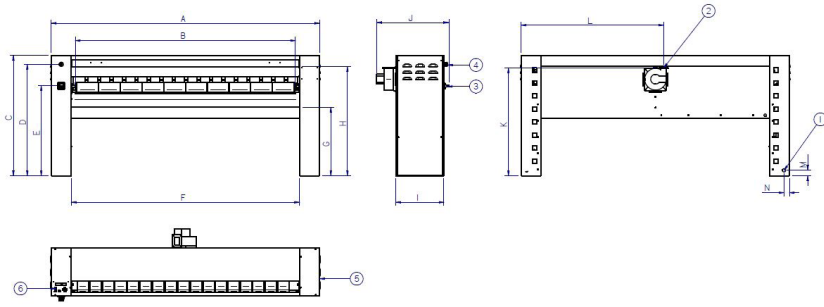
- Marine tension 440V III 60 Hz without N
- Tension 230V III 50-60 Hz



TECHNICAL DATA

FLATWORK IRONERS | ROLLER Ø200 | PS-20-140/160/200 M

	UNIT.	PS-20/140 M		PS-20/160 M		PS-20/200 M	
GENERAL DATA							
Theoretical production (electric)*	Kg/h	12		16		22	
	Lb/h	26		35		49	
Evaporation power	l/h	5,4		7,2		9,9	
	USgallon/h	1,4		1,9		2,6	
Ø Roll	mm	200		200		200	
	inch	7,87		7,87		7,87	
Working width	mm	1.400		1.600		2.000	
	inch	55,1		63		78,7	
Height floor-feeding belts	mm	990		990		990	
	inch	39		39		39	
Working speed	m/min	1,5 - 6		1,5 - 6		1,5 - 6	
	ft/min	4,9 - 19,6		4,9 - 19,6		4,9 - 19,6	
Electronic control		M		M		M	
N° Programs	N°	2		2		2	
Length folder	N°	No		No		No	
Large surface contact with linen	°	270		270		270	
POWER							
Electric heating	kW	10,5		12		18	
Total electric power (Elec. model)	kW	10,84		12,34		18,37	
Gas heating	kW	-		-		-	
Total electric power (Gas model)	kW	-		-		-	
Steam heating	kW	-		-		-	
Total electric power (Steam model)	kW	-		-		-	
Roll motor	kW	0,28		0,28		0,28	
Fan motor	kW	0,09		0,09		0,09	
CONNECTIONS		ELECTRIC	GAS	ELECTRIC	GAS	ELECTRIC	GAS
Tension 230V - III + T	n° x mm ² /A	4x6 / 32A	-	4x10 / 40A	-	4x10 / 50A	-
	n° x AWG/A	4x9 / 32A	-	4 x 7 / 40A	-	4x7 / 50A	-
Tension 400V - III + N + T	n° x mm ² /A	5x4 / 20A	-	5x4 / 20A	-	5 x 6 / 32A	-
	n° x AWG/A	5x11 / 20A	-	5x11 / 20A	-	5x9 / 32A	-
Ø Gas inlet	BSP	-		-		-	
Ø Steam inlet	BSP	-		-		-	
Ø Condensed (Steam models)	BSP	-		-		-	
DIMENSIONS / DIMENSIONS D'EMBALLA							
Net width / Gross width	mm	1.878 / 2.130		2.128 / 2.340		2.478 / 2.780	
	inch	73,9 / 83,9		83,8 / 92,1		97,6 / 109,4	
Net depth / Gross depth**	mm	444** (666) / 770		444** (666) / 770		444** (6669) / 770	
	inch	17,5 (26,2) / 30,3		17,5 (26,2) / 30,3		17,5 (26,2) / 30,3	
Net height / Gross height	mm	1.110 / 1.400		1.110 / 1.400		1.110 / 1.400	
	inch	43,7 / 55,1		43,7 / 55,1		43,7 / 55,1	
Net weight / Gross weight	Kg	180 / 220		203 / 240		237 / 275	
	Lb	397 / 485		448 / 529		522 / 606	
Volume	m ³	0,93 / 2,30		1,05 / 2,52		1,22 / 3,00	
	f ³	32,76 / 81,09		37,12 / 89,08		43,23 / 105,83	
AUTRES							
N° fume outlet	N°	1		1		1	
Ø Extraction	mm	83		83		83	
	inch	3,27		3,27		3,27	
Air flow	m ³ /h	300		300		300	
	cfm	177		177		177	
Noise level	dB	55		55		55	



	A	B	C	D	E	F	G	H	I	J	K	L	M	N
PS-20/140	1.878	1.470	1.110	1.028	830	1.510	631	1.006	444	666	995	1.016	50	50
PS-20/160	2.128	1.720	1.110	1.028	830	1.760	631	1.006	444	666	995	1.141	50	50
PS-20/200	2.478	2.070	1.110	1.028	830	2.110	631	1.006	444	666	995	1.316	50	50