



DRYING

STACK DRYERS POWERED SC-2-18 M POWERED

CHARACTERISTICS

SC-2-18 M POWERED

- M programmer: push buttons to control temperature and time
- Reversing drum action as standard
- Galvanized drum as standard
- TURBO gas heated model: more power to achieve more productivity.
- OPL > Multivending

OPTIONS

SC-2-18 M POWERED

- Screen in M programmer



CAPACITY

Capacity 1/18	Kg	18,3 x 2
	Lb	40,4 x 2
Capacity 1/20	Kg	16,5 x 2
	Lb	36,3 x 2

DRUM

Ø Drum	mm	750
	inch	29,53
Drum length	mm	746
	inch	29,37
Drum volume	l	330
	cu ft	11,64
Ø Door	mm	574
	inch	22,6
Floor to door center	mm	547/1522
	inch	21,54 / 59,92
Floor to lower part of the door	mm	189 / 1164
	inch	7,32 / 45,83
Drum motor power	kW	0,37 x 2

GAS POWER

Installed heating power gas	kcal/h	20650 x 2
	Btu/h	81891.4 x 2
Installed heating power gas	Kw	24 x 2
Installed electrical power	Kw	1,94
Instant propane gas consumption (G31)	Kg/h	2,06 x 2
	Lb/h	4.54 x 2
Instant natural gas consumption (G20)	Kg/h	2,54 x 2
	Lb/h	1.49 x 2
Evaporation capacity	l/h	35,3
	USgallon/h	9,325
Hourly output	Kg/h	70,7
	Lb/h	155,9
Ø Gas inlet	BSP ISO 228-1	1/2"

VENTILATION

Nominal air flow	m³/h	750 x 2
	cfm	441,43 x 2
Air outlet Ø	mm	200 x 2
	inch	7,87 x 2
Fan motor power	kW	0,55 x 2

HEAT DISSIPATION

Total max heat dissipation	kW	2,5
	Btu/h	8535,4
Front pannel max heat dissipation	kW	1,8
	Btu/h	6145,5

CONNECTIONS

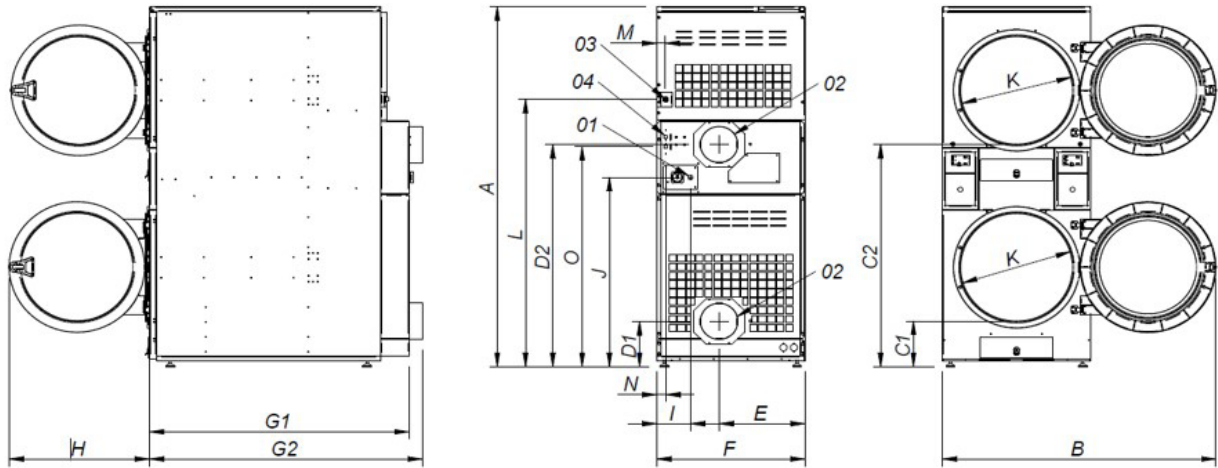
		GAS
Tension 230V - I + N + T	N° x mm2 / A	3x2,5 / 20A
Tension 230V - III + T	N° x mm2 / A	3x2,5 / 20A
Tension 400V - III + N + T	N° x mm2 / A	3x2,5 / 20A

DIMENSIONS / PACKING DIMENSIONS

Net width / Gross width	mm	785 / 865
	inch	30,91 / 34,06
Net depth / Gross depth	mm	1443 / 1457
	inch	56,81 / 57,36
Net height / Gross height	mm	1980 / 2126
	inch	77,95 / 83,70
Net weight / Gross weight	Kg	320 / 349
	Lb	705,48 / 769,41

OTHERS

Sound level	dB	64
-------------	----	----



- 01. Electric connection
- 02. 2 Fumes output $\varnothing 200$
- 03. Gas inlet 1/2"
- 04. Ethernet connection (Only control Touch)

	A	B	C1	C2	D1	D2	E	F	G1	G2	H	I	J	K	L	M	N	O
SC-2-18 M POWERED	1980	1447	259	1234	250	1223	454	785	1374	1443	735	180	1040	575	1472	45	49	1210