



Catalogue
FOOD SERVICE
Chapter
DISHWASHING

Specific model
CCO-180 R CW 380-415V 3N 50Hz

19047164

12/06/2024

POSSIBLE ACCESSORIES :

- BASKETS
- BASKETS FOR DISHWASHERS
- BASKETS FOR GLASSES
- MODULAR ELEMENTS
- TABLES FOR RACK TYPE DISHWASH.

SUPPLIED ACCESSORIES:

- 19000484 Glass basket, 500x500x110 mm. 2
- 19000487 Basket for 16-18 plates, 500x500x110 mm. 2
- 19000488 Baskets for 16 glasses and cups with 110 mm diameter and 100 mm height. 1
- 19036306 Standard basket with dense base 1

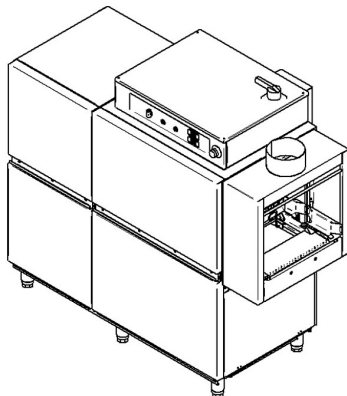
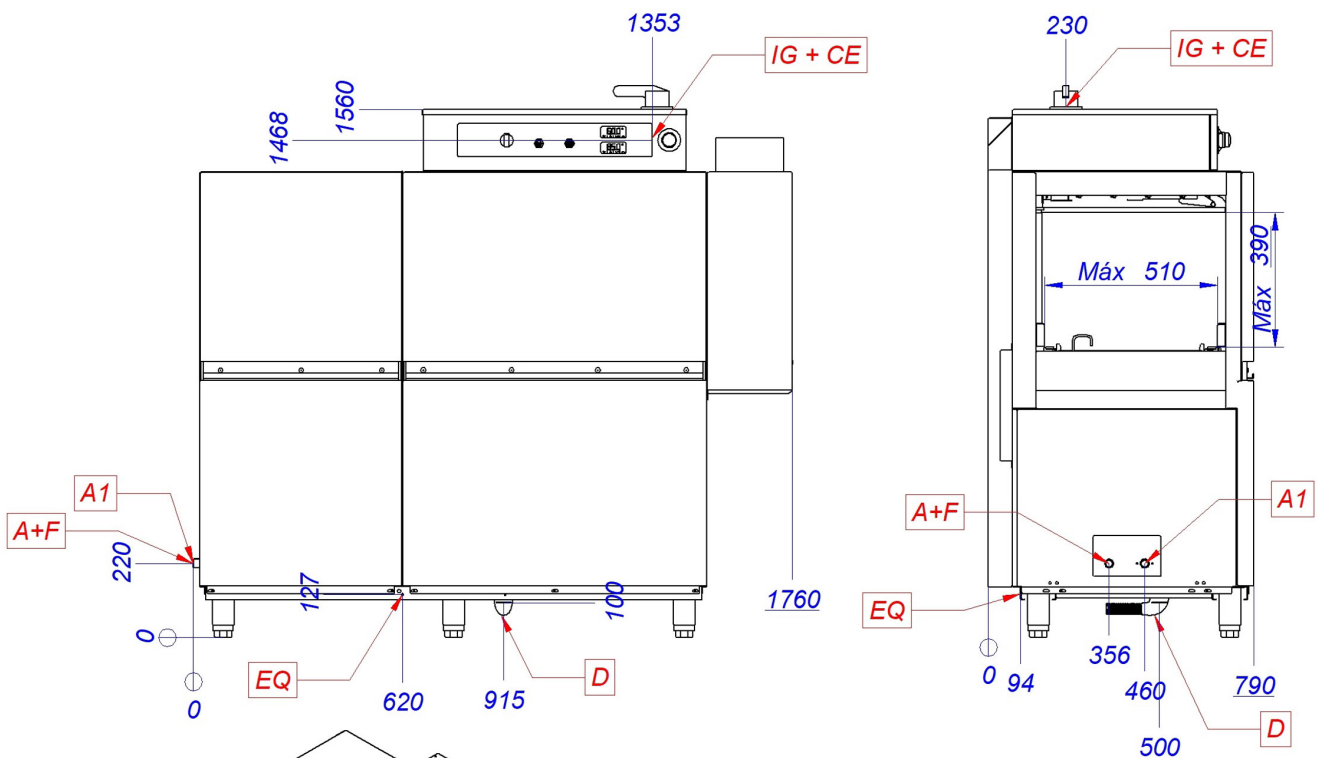


Catalogue
FOOD SERVICE
Chapter
DISHWASHING

Specific model
CCO-180 R CW 380-415V 3N 50Hz

19047164

12/06/2024



| | | | |
|-----|--------------------------|--------------------------------|---------------------------|
| A+F | Entrada de agua + filtro | Water inlet & filter | Entrée d'eau & filtrer |
| A1 | Válvula de llenado | Fill valve | Vanne de remplissage |
| CE | Alimentación eléctrica | Power supply | Connexion électrique |
| D | Desagüe | Drain | Vindage |
| EQ | Toma equipotencial | Equipotential bonding terminal | Connexion Équipotentielle |
| IG | Interruptor general | General switch | Interrupteur général |