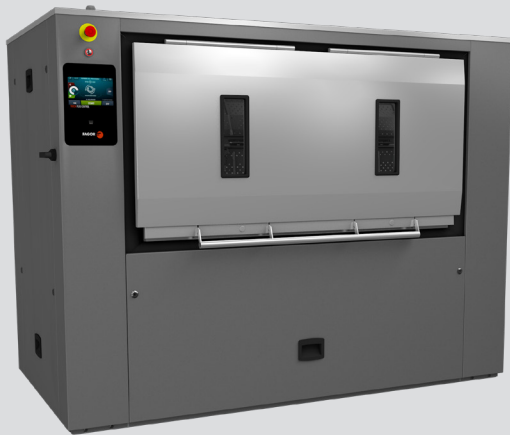




WASHING

SANITARY BARRIERS LBS RANGE LBS-70 TP2



CHARACTERISTICS

TP2

- 7" touch screen easy to use and fully programmable, double display.
- Connection USB. Free software online for programming, telemetry, data analysis...
- Videos on display (instructions...).
- 37 languages.
- 8 dosing signals as standard.

OUTSTANDING FEATURES

- Automatic positioning of drum with motor brake.
- 3 water inlets as standard.
- Wet cleaning features ready.
- G-FACTOR 375.
- Telemetry as standard.
- Heating: electric, steam, and new dual heating model (electric+steam).

EFFICIENCY

- Intelligent consumption.
- Optimal loading.
- Water Recovery tanks ready: KRS .
- Low water consumption.
- High G-FACTOR: reduced residual moisture > reduced drying time.

CONNECTIVITY

- IoT FagorKconnect.
- Remote technical service.
- Laundry management.

ERGONOMICS

- Huge door opening making loading/unloading easier.
- Easy friendly drum opening by push button.
- Height of loading (door bottom): 800 mm.

MAINTENANCE

- Electric components on the left side, mechanic components on the right side and connections on the top (protected from water and detergents).
- Central drain as standard.

- Technical menu: statistics, alarms, autotest, data recovery for technicians and maintenance.

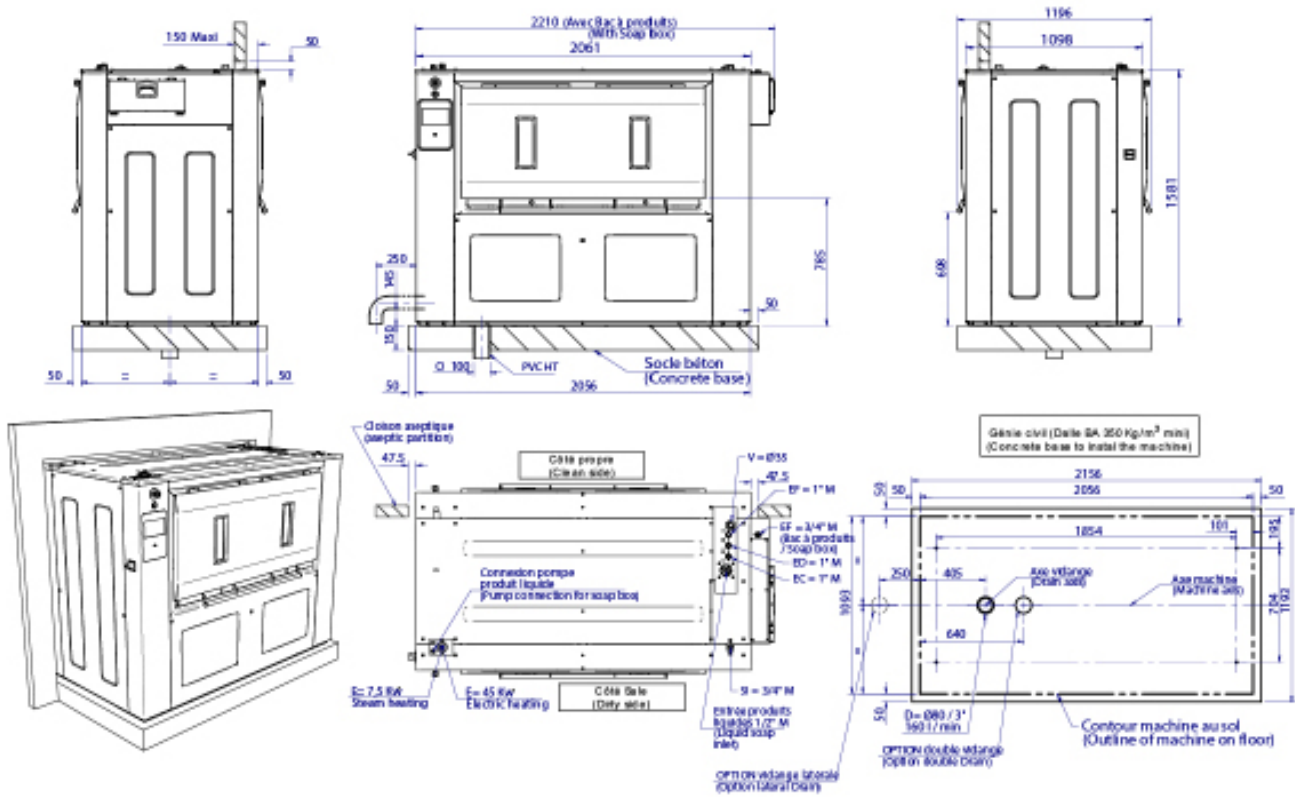
OTHERS

- 2 opposed doors. Pass-through barrier washer.
- Ready to be connected to dosing pumps.
- Grey skinplate outer casing.
- Drum and vat in stainless steel AISI 304.
- Frequency inverter to control imbalance.
- CE approved product.
- Third water inlet.

OPTIONS

- 1-door opening (single side operation).
- Auto Weight: automatic weighing sensor system on feet (Includes kit with 6 extra dosing signals).
- Relay card with 6 extra dosing signals: up to 14 signals.
- Double drain.
- Titration valve.
- Side drain valve.
- Low steam pressure (0,5 bar).
- Detergent box with 4 compartments.
- UPS device (in case of power failure).
- End of cycle light alarm.
- Plinth to align loading height (door base at 850mm).
- Stainless steel AISI 304 outer casing.
- Stainless steel AISI 304 sanitary frame.
- Other voltages.

	UNIT.	LBS-70
DRUM		
Capacity 1:9	Kg	77,7
	Lb	171,3
Capacity 1:10	Kg	70
	Lb	154,3
Volume	l	694
	ft ³	24,51
Diameter	mm	800
	inch	31,5
Depth	mm	1.380
	inch	54,3
Number of compartments	Nº.	2
Pullman partition of drum		N/A
GENERAL DETAILS		
Washing speed	r.p.m.	45
Spining speed	r.p.m.	920
G Factor		375
Maximum force transmitted	KN	5,24
Frequency-dynamic force	Hz	15,4
Sound level	dB	< 70
Double drain		Opt
Weighing System		Opt
DOOR		
Drum opening dimensions	mm	640 x 515 (x2)
	inch	25.2 x 20.3 (x2)
Vat opening dimensions	mm	1.402 x 650
	inch	55.2 x 25.6
Height base door	mm	800
	inch	31,5
POWER		
Motor	kW	7,5
Electric heating power	kW	45
Max. power (Electric model)	kW	52,5
Max. power (Steam model)	kW	7,5
CONNECTIONS		
Tension 230V- I + N + T	Nº x mm2/A	-
Tension 230V- III + T	Nº x mm2/A	4 x 35 / 160A
Tension 400V- III + N + T	Nº x mm2/A	5 x 16 / 80A
Steam inlet (Steam)	mm	20/27
	inch	3/4"
Maximum steam consumption (Steam)	Kg/h	34,2
Water inlet	mm	26/34
	inch	1"
Water main pressure	bar	3 - 5
	psi	43 - 72
Maximum water consumption*	Lit/h	720
Drain	mm	80
	inch	3"
Drainage capacity	Lit/min	160
	cfm	5,65
DIMENSIONS / PACKING DIMENSIONS		
Net width / Gross width	mm	2.124 / 2.310
	inch	83,6 / 90,9
Net depth / Gross depth	mm	1.195 / 1.300
	inch	47 / 51,2
Net height / Gross height	mm	1.615 / 1.720
	inch	63,5 / 67,7
Net weight / Gross weight	Kg	1.190 / 1.220
	Lb	2.624 / 2.689,6
Volume	m ³	4,10 / 5,17
	f ³	144,79 / 182,4



E = Electricity

(*) Se référer à / refer to "user & installation manuel " §2.2.6 - p10 (pour détails / for details)

EC/ED/EF = Eau Chaude / Douce / Froide
hot water / soft / cold
1" M - 3/5 Bars - 130l/min MAX
3/4" M - 3/5 Bars - 100l/min MAX

SI = Entrée vapeur / Steam Inlet
6 Bars / 240 Kg/h - Max 10 Bars

V= Event / Vent

D = Vidange / Drain

Nota :

- Pour les arrivées d'eau, vapeur et électricité, les machines devront être installées selon les normes en vigueur. (This machine must be installed in compliance with all local regulations)
- Le chassis doit impérativement porter sur toute sa longueur et sur un sol parfaitement plan et de niveau. (The frame must be installed on a perfectly level floor)
- Il est impératif de fixer la machine au sol par les orifices prévus à cet effet. (This machine must be fixed on the floor by threaded rods.)