



WASHING

SANITARY BARRIERS LBS RANGE LBS-27 TP2



Pullman drum option

CHARACTERISTICS

TP2

- 7" touch screen easy to use and fully programmable, double display.
- Connection USB. Free software online for programming, telemetry, data analysis...
- Videos on display (instructions...).
- 37 languages.
- 8 dosing signals as standard.

OUTSTANDING FEATURES

- Automatic positioning of drum with motor brake.
- 3 water inlets as standard.
- Wet cleaning features ready.
- G-FACTOR 375.
- Telemetry as standard.
- Heating: electric, steam, and new dual heating model (electric+steam).

EFFICIENCY

- Intelligent consumption.
- Optimal loading.
- Water Recovery tanks ready: KRS.
- Low water consumption.
- High G-FACTOR: reduced residual moisture > reduced drying time.

CONNECTIVITY

- IoT FagorConnect.
- Remote technical service.
- Laundry management.

ERGONOMICS

- Huge door opening making loading/unloading easier.
- Easy friendly drum opening by push button.
- Loading height: door base 800 mm.
- Pullman drum: load optimisation (option).

MAINTENANCE

- Electric components on the left side, mechanic components on the right side and connections on the top (protected from water and detergents).
- Central drain as standard.

- Technical menu: statistics, alarms, autotest, data recovery for technicians and maintenance.

OTHERS

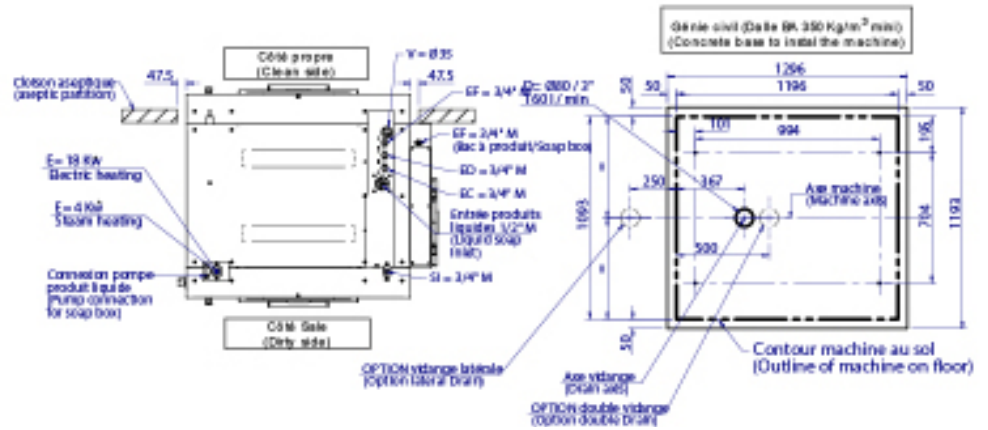
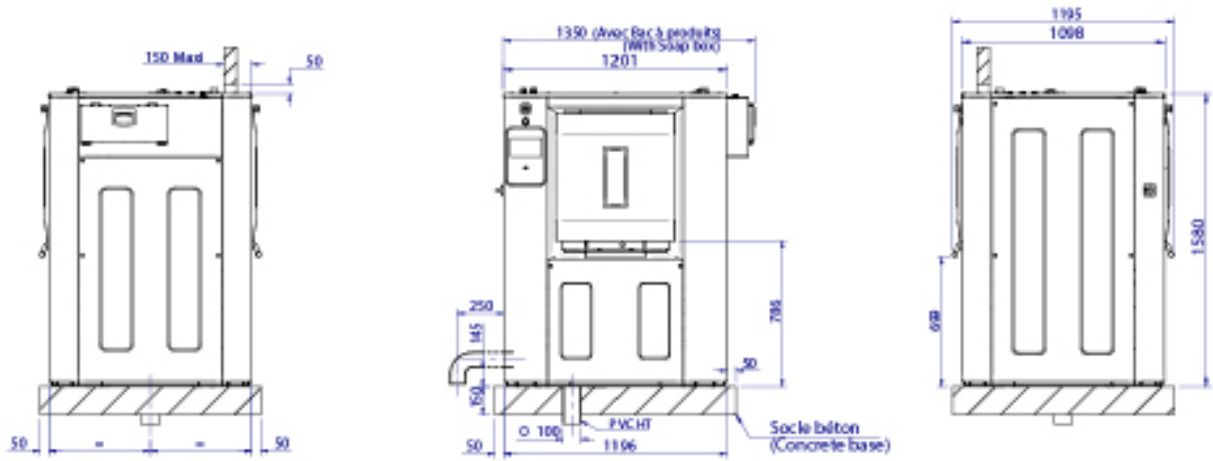
- 2 opposed doors. Pass-through barrier washer.
- Ready to be connected to dosing pumps.
- Grey skinplate outer casing.
- Drum and vat in stainless steel AISI 304.
- Frequency inverter to control imbalance.
- CE approved product.
- Third water inlet.

OPTIONS

- 1-door opening (single side operation).
- Pullman drum.
- Auto Weight: automatic weighing sensor system on feet (Includes kit with 6 extra dosing signals).
- Relay card with 6 extra dosing signals: up to 14 signals.
- Double drain.
- Titration valve.
- Side drain valve.
- Low steam pressure (0,5 bar).
- Detergent box with 4 compartments.
- UPS device (in case of power failure).
- End of cycle light alarm.
- Plinth to align loading height (door base at 850mm).
- Stainless steel AISI 304 outer casing.
- Stainless steel AISI 304 sanitary frame.
- Other voltages.

	UNIT.	LBS-27 TP2	
DRUM			
Capacity 1:9	Kg	30	
	Lb	66,1	
Capacity 1:10	Kg	27	
	Lb	59,5	
Volume	l	266	
	ft ³	9,39	
Diameter	mm	800	
	inch	31,5	
Depth	mm	530	
	inch	20,9	
Number of compartments	Nº.	1	
Pullman partition of drum		Opt	
GENERAL DETAILS			
Washing speed	r.p.m.	45	
Spining speed	r.p.m.	920	
G Factor		375	
Maximum force transmitted	KN	2,02	
Frequency-dynamic force	Hz	15,4	
Sound level	dB	< 70	
Double drain		Opt	
Weighing System		Opt	
DOOR			
Drum opening dimensions	mm	480 x 515	
	inch	18,9 x 20,3	
Vat opening dimensions	mm	542 x 650	
	inch	21.3 x 25.6	
Height base door	mm	800	
	inch	31,5	
POWER			
Motor	kW	4	
Electric heating power	kW	18	
Max. power (Electric model)	kW	22	
Max. power (Steam model)	kW	4	
CONNECTIONS		E/DUAL	STEAM
Tension 230V- I + N + T	Nºxmm2/A	-	-
Tension 230V- III + T	Nºxmm2/A	4 x 16 / 63A	4 x 2,5 / 16A
Tension 400V- III + N + T	Nºxmm2/A	5 x 10 / 40A	5 x 2,5 / 10A
Steam inlet (Steam model)	mm	20/27	
	inch	3/4"	
Maximum steam consumption (Steam)	Kg/h	10,25	
Water inlet	mm	20/27	
	inch	3/4"	
Water main pressure	bar	3 - 5	
	psi	43 - 72	
Maximum water consumption*	Lit/h	210	
Drain	mm	80	
	inch	3"	
Drainage capacity	Lit/min	160	
	cfm	5,65	
DIMENSIONS / PACKING DIMENSIONS			
Net width / Gross width	mm	1.264 / 1.464	
	inch	49,8 / 57,6	
Net depth / Gross depth	mm	1.195 / 1.300	
	inch	47 / 51,2	
Net height / Gross height	mm	1.615 / 1.720	
	inch	63,5 / 67,7	
Net weight / Gross weight	Kg	886 / 906	
	Lb	1.953 / 1.997,4	
Volume	m ³	2,43 / 3,27	
	ft ³	85,81 / 115,6	

* N°2 Program, 100% load



E = Electricity

(*) Se référer à / refer to "user & installation manual " §2.2.6 - p10 (pour détails / for details)

EC/ED/EF = Eau Chaude / Douce / Froide
hot water / soft / cold
3/4" M - 3/5 Bars - 100l/min MAX

SI = Entrée vapeur / Steam Inlet
6 Bars / 240 Kg/h - Max 10 Bars

V= Event / Vent

D = Vidange / Drain

Nota :

- Pour les arrivées d'eau, vapeur et électricité, les machines devront être installées selon les normes en vigueur. (This machine must be installed in compliance with all local regulations)

- Le châssis doit impérativement porter sur toute sa longueur et sur un sol parfaitement plan et de niveau. (The frame must be installed on a perfectly level floor)

- Il est impératif de fixer la machine au sol par les orifices prévus à cet effet. (This machine must be fixed on the floor by threaded rods.)