



Catalogue
FOOD SERVICE
Chapter
COOKING

Specific model
C-E761 400V 3N 50/60Hz

19068645

04/09/2023

DENOMINATION:

Electric cooker with oven, 4 rounded plates, 700 range.

DESCRIPTION :

"- Pressed surface tops manufactured in 1.5 mm thick AISI-304 stainless steel, with rounded edges, designed to prevent spilled liquid from pans from entering the interior of the oven.

- Stamped surface top with rounded corners for easy cleaning.
- Laser-cut joints and automatic welding. Hidden screws.
- Cast iron hot plates,
- Power regulation via selector with 7 positions.
- Protection against overheating for each plate.
- High-temperature enamelled cast iron flue protector.
- Access to components from the front.
- Easy connection and compliant with health standards.
- Machines with IPX5 grade water protection.

"- Static electric oven with dimensions GN 2/1.

- Heating through stainless steel heating elements with selector switch for operation of the upper and/or inner part.
- Cooking chamber made entirely of stainless steel which makes cleaning easier and ensures greater hygiene.
- Trays are inserted sideways which improves manoeuvrability.
- Thermostatic valve for temperature control (125 - 310 °C).
- Rails on three height levels to offer different cooking options.
- Rails with anti-tipping system to prevent trays from overturning.
- Cast iron oven floor which guarantees better performance and uniform heat distribution.
- Fibreglass closing seal to improve the thermal efficiency of the oven and ensure its durability.
- Stamped oven frame and inner door, ensuring a better oven closure.
- Detachable oven door to facilitate repairs."
- Cast iron round hot plates, 223 Ø (2.6 kW), hermetically fixed to the stamped surface top.

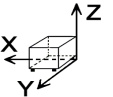
POSSIBLE OPTIONS :

- 230 1N- Transformation A 230 V single phase
- 230 III - A 230 V three-phase transformation without neutral
- MARINE - Other machines - Ship transformation - 440 III

POSSIBLE ACCESSORIES :

- COOKER ACCESSORIES KORE
- KORE WHEELS
- TALL CHIMNEY KORE

DIMENSIONS



| | | | |
|------------|----------|----------------|----------|
| X Width | 800 mm | X Gross width | 840 mm |
| Y Depth | 730 mm | Y Gross depth | 822 mm |
| Z Height | 850 mm | Z Gross height | 1255 mm |
| Net Weight | 90,0 kg | Gross Weight | 108,0 kg |
| Net volume | 0,500 m3 | Gross volume | 0,867 m3 |

ELECTRICITY TECHNICAL SPECIFICATIONS

| | |
|--------------------|-----------|
| Electric power | 21,600 kW |
| Amperage (A) | 31,3A |
| Heating power | 21,60 kW |
| Voltage | 400V - 3N |
| Electric frequency | 50/60Hz |

CONNECTIONS TECHNICAL SPECIFICATIONS

| | |
|----------------------------|---------------|
| 230 V three-phase wiring | 3X10+T - 63 A |
| | 3X16MM2+T |
| Single-phase 230V wiring | 2X35MM2+T |
| Three-phase +N 400V wiring | 3X6MM2+T+N |



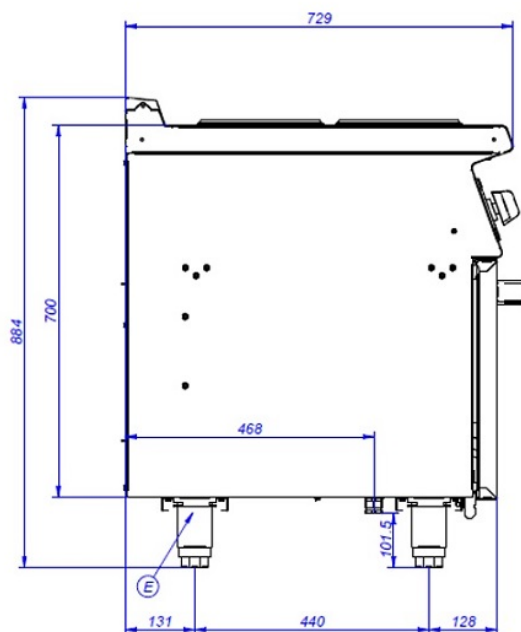
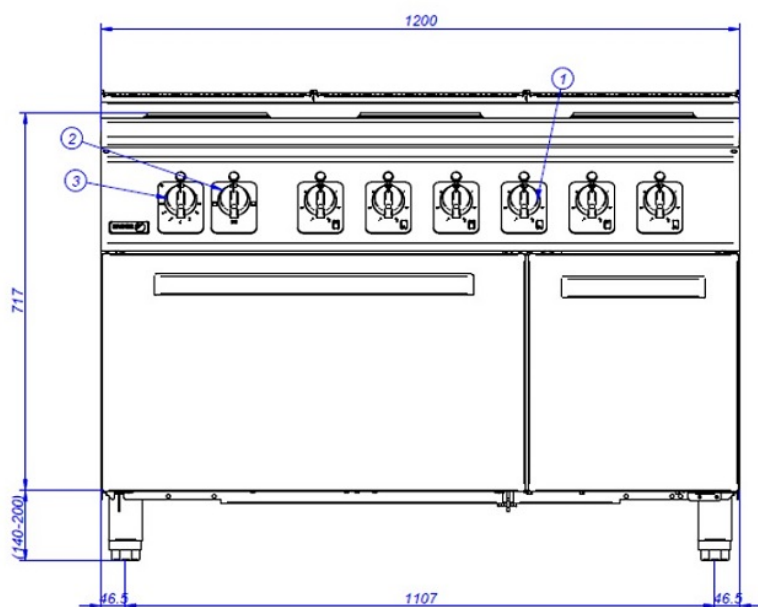
Catalogue
FOOD SERVICE
Chapter
COOKING

Specific model
C-E761 400V 3N 50/60Hz

19068645

04/09/2023

C-E761



E. Conexión eléctrica
1. Mando placas M
2. Mando horno 1
3. Mando horno 2

Electrical connection
M plates control
Oven control 1
Oven control 2