



**Catalogue**  
FOOD SERVICE  
**Chapter**  
COOKING

**Specific model**  
B-G705 | LPG

19074781

04/09/2023

**DENOMINATION:**

LPG gas grill, stainless steel grill, half module, 700 range.

**DESCRIPTION :**

- Stamped surface tops manufactured in 1.5 mm thick AISI-304 stainless steel
- Laser-cut joints and automatic welding. Hidden screws.
- Fitted with an opening to collect cooking grease and a tray to store it.
- Machines are fitted with removable 130 mm high guards to prevent splashes, made of stainless steel.
- High temperature enamelled cast iron flue protector.
- Access to the components from the front.
- Machines with IPX5 grade water protection.
- The models with stainless steel grills are manufactured using "Z" shaped AISI-304 stainless steel slats to make cleaning easier.
- These grills reach a very high temperature (400 °C), meaning that the surface of the product is quickly sealed and inside it remains much juicier.
- Groups of high-efficiency tube burners, (a group of two burners for half-sized module models, two groups for whole module models).
- Independent control for each group of burners via a safety valve with a thermocouple.
- Burners turned on using Piezo electric ignition.
- The burners heat ceramic stones that sit on a supporting rack, so that they can then heat food on the grill.

**POSSIBLE OPTIONS :**

- 230 1N- Transformation A 230 V single phase
- 230 III - A 230 V three-phase transformation without neutral
- MARINE - Other machines - Ship transformation - 440 III

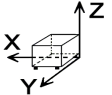
**POSSIBLE ACCESSORIES :**

- ACCESSORIES KORE
- STANDS 700
- ACCESSORIES FOR CHARCOALS KORE
- TALL CHIMNEY KORE

**SUPPLIED ACCESSORIES:**

- 19058313 Scraper for charcoal with stainless steel grill Kore generation 1

**DIMENSIONS**



X Width	400 mm	X Gross width	440 mm
Y Depth	730 mm	Y Gross depth	822 mm
Z Height	290 mm	Z Gross height	535 mm
Net Weight	28,5 kg	Gross Weight	41,5 kg
Net volume	0,080 m3	Gross volume	0,193 m3

**ELECTRICITY TECHNICAL SPECIFICATIONS**

Voltage N/A - N/A

**GAS TECHNICAL SPECIFICATIONS**

Gas type LPG  
 Gas power 8,10 kW  
 Gas consumption 0,638 kg/h  
 Regulated LPG G30/G31 28-30/37 mbar  
 NG G20/G25/G25.1 20/25/25 mbar

**CONNECTIONS TECHNICAL SPECIFICATIONS**

Gas diameter 1 R3/4"



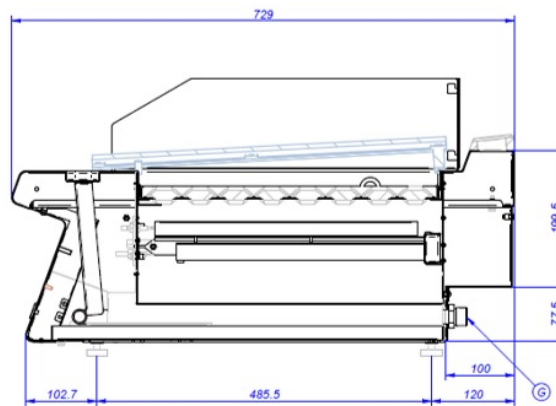
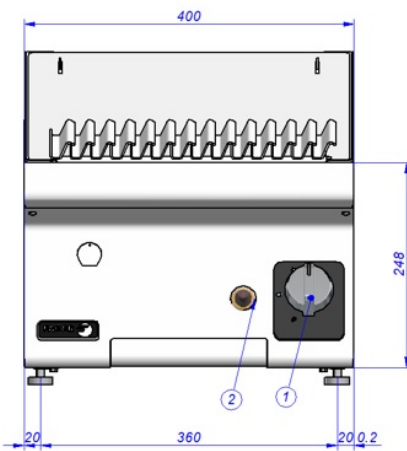
**Catalogue**  
FOOD SERVICE  
**Chapter**  
COOKING

**Specific model**  
B-G705 | LPG

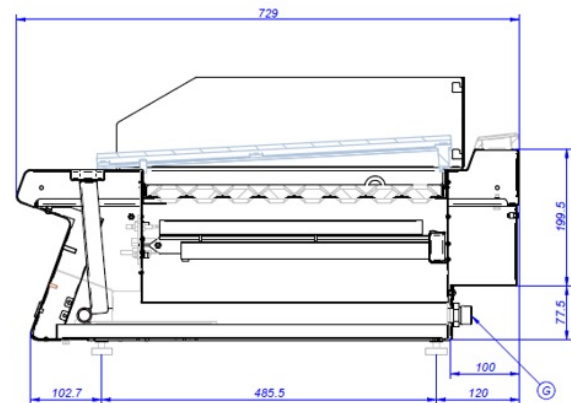
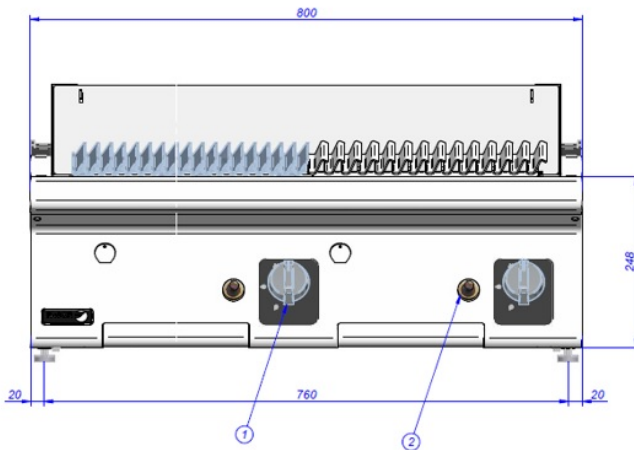
19074781

04/09/2023

### B-G705



### B-G710



G – Entrada de Gas  
1 – Grifo válvula de gas  
2 – Pulsador de encendido

Gas Inlet  
Gas valve tap  
Piezoelectric ignitor

Entrée de gaz  
Robinet valve gaz  
Allumeur piézoélectrique