

Catalogue
FOOD SERVICE
Chapter
COOKING

Specific model
B-G915 | LPG

19081680

11/11/2021

DENOMINATION:

Countertop LPG gas grill, stainless steel grill, 1 module and a half, 900 range.

DESCRIPTION :

- Surface tops manufactured in 2 mm thick AISI-304 stainless steel.
- Laser-cut joints, automatic welding and polishes. Screws hidden from view.
- Grills fitted with 130 mm high dismountable guard to avoid splashing, manufactured in stainless steel.
- High temperature enamelled cast iron flue protector.
- Access to the components from the front.
- Machines with IPX5 grade water protection.
- In the models with stainless steel grill, this is manufactured with sheets of AISI-304 in "V" shape to facilitate cleaning.
- The grills reach a very high temperature (400 °C), meaning that the surface of the product seals rapidly, keeping the inside of the food much juicier.
- Groups of high-efficiency tube burners, (a group of two burners for half-sized module models, two groups for a single module models).
- Independent control for each group of burners via a safety valve with a thermocouple.
- Burners turned on using Piezo electric ignition.
- The burners heat ceramic stones that sit on a supporting rack, so that they can then heat food on the grill.

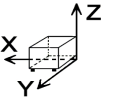
POSSIBLE ACCESSORIES :

- STANDS 900
- ACCESSORIES KORE
- ACCESSORIES FOR CHARCOALS KORE
- TALL CHIMNEY KORE

SUPPLIED ACCESSORIES:

- 19058313 Scraper for charcoal with stainless steel grill Kore generation 1

DIMENSIONS



| | | | |
|------------|----------|----------------|----------|
| X Width | 1200 mm | X Gross width | 1222 mm |
| Y Depth | 930 mm | Y Gross depth | 1040 mm |
| Z Height | 290 mm | Z Gross height | 535 mm |
| Net Weight | 115,0 kg | Gross Weight | 132,0 kg |
| Net volume | 0,170 m3 | Gross volume | 0,680 m3 |

ELECTRICITY TECHNICAL SPECIFICATIONS

Voltage N/A

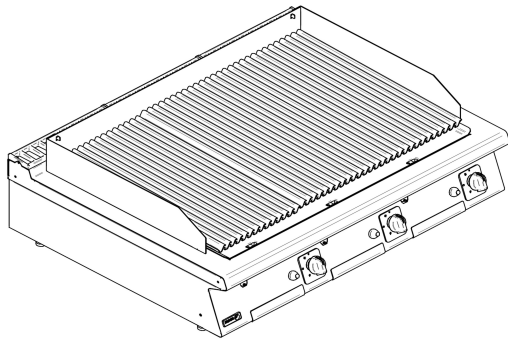
GAS TECHNICAL SPECIFICATIONS

Gas type LPG

Gas power 33,00 kW

Gas consumption 2,560 kg/h

Regulated LPG G30/G31 28-30/37 mbar
NG G20/G25/G25.1 20/25/25 mbar



Catalogue
FOOD SERVICE

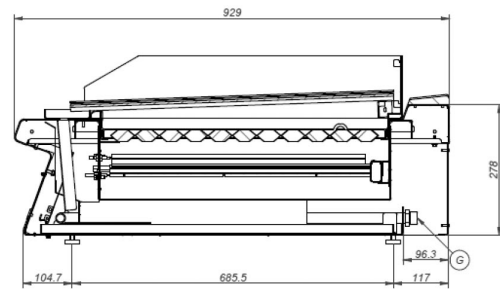
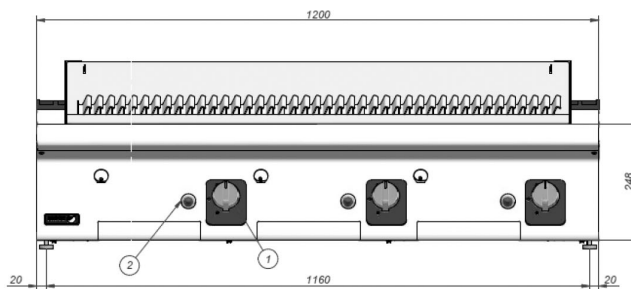
Capítulo
COOKING

Modelo
B-G915 | LPG

19081680

11/11/2021

B-G915



G – Entrada de Gas
1 – Grifo válvula de gas
2 – Pulsador de encendido

Gas Inlet
Gas valve tap
Piezoelectric ignitor