



**Catalogue**  
**FOOD SERVICE**  
**Chapter**  
**COOKING**

**Specific model**  
B-G9101 LPG 230V 1N

19075482

11/11/2021

**DENOMINATION:**

LPG gas grill, cast iron grill, 1 module, 900 range.

**DESCRIPTION :**

- Surface tops manufactured in 2 mm thick AISI-304 stainless steel.
- Laser-cut joints, automatic welding and polishes. Screws hidden from view.
- Grills fitted with 130 mm high dismantable guard to avoid splashing, manufactured in stainless steel.
- High temperature enamelled cast iron flue protector.
- Access to the components from the front.
- Machines with IPX5 grade water protection.
- Cast iron grills, dismantable without the need for tools, in 170 mm wide sections.
- The iron grills are reversible, with different finishes on each side:
  - Tilted and grooved with ridges for meat.
  - Horizontal and flat for fish and vegetables.
- The grills reach a very high temperature (400 °C), meaning that the surface of the product seals rapidly, keeping the inside of the food much juicier.
- Groups of three high-efficiency tube burners, with a radiant deflector (a group of three burners for half-sized module models, two groups for whole module models).
- Independent control for each group of burners via a safety valve with a thermocouple.
- Burners turned on using electric multispark ignition. With an access tube for manual ignition.

**POSSIBLE OPTIONS :**

- 230 1N- Transformation A 230 V single phase
- 230 III - A 230 V three-phase transformation without neutral
- MARINE - Other machines - Ship transformation - 440 III

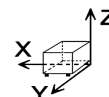
**POSSIBLE ACCESSORIES :**

- ACCESSORIES FOR CHARCOALS KORE
- KORE WHEELS
- TALL CHIMNEY KORE

**SUPPLIED ACCESSORIES:**

- 19045084 Scraper for charcoal with FE grill Kore generation 1

**DIMENSIONS**



X Width	800 mm	X Gross width	840 mm
Y Depth	930 mm	Y Gross depth	1022 mm
Z Height	850 mm	Z Gross height	1255 mm
Net Weight	85,0 kg	Gross Weight	95,0 kg
Net volume	0,630 m3	Gross volume	1,077 m3

**ELECTRICITY TECHNICAL SPECIFICATIONS**

Electric power	0,100 kW
Amperage (A)	2A
Voltage	230V - 1N
Electric frequency	50/60Hz

**GAS TECHNICAL SPECIFICATIONS**

Gas type	LPG
Gas power	22,00 kW
Gas consumption	1,710 kg/h
Regulated	LPG G30/G31 28-30/37 mbar NG G20/G25/G25.1 20/25/25 mbar

**CONNECTIONS TECHNICAL SPECIFICATIONS**

Single-phase 230V wiring	2X1,5+T
Gas diameter 1	R3/4"



Catalogue  
**FOOD SERVICE**

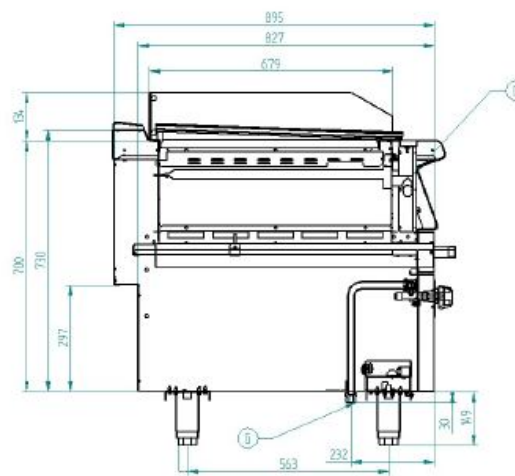
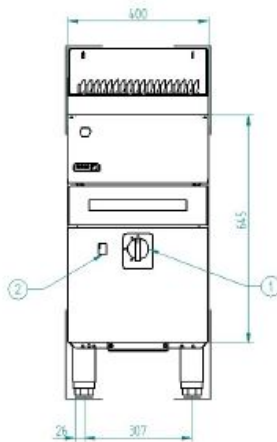
Capítulo  
**COOKING**

Modelo  
**B-G9101 LPG 230V 1N**

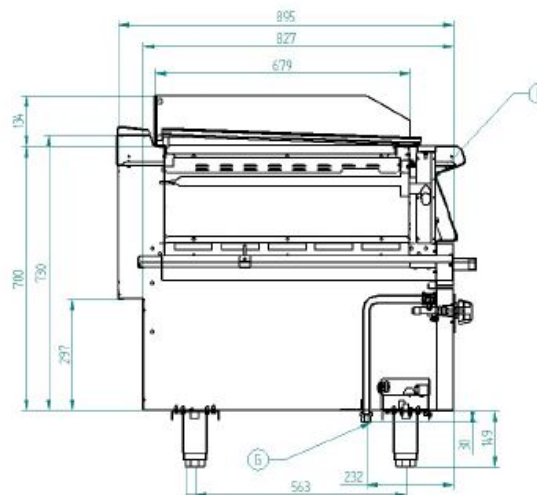
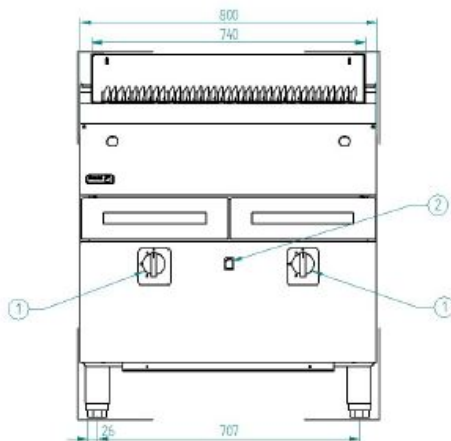
19075482

11/11/2021

**B-G9051**



**B-G9101**



G – Entrada de Gas  
D – Desagüe  
1 – Grifo válvula de gas  
2 – Pulsador tren de chispas

Gas Inlet  
Drainage  
Gas valve tap  
Piezoelectric ignitor