



Catalogue
FOOD SERVICE
Chapter
COOKING

Specific model
B-G905 NG

19081682

11/11/2021

DENOMINATION:

Countertop GN gas grill, mild steel grill, half module, 900 range.

DESCRIPTION :

- Surface tops manufactured in 2 mm thick AISI-304 stainless steel.
- Laser-cut joints, automatic welding and polishes. Screws hidden from view.
- Grills fitted with 130 mm high dismantable guard to avoid splashing, manufactured in stainless steel.
- High temperature enamelled cast iron flue protector.
- Access to the components from the front.
- Machines with IPX5 grade water protection.
- Cast iron grills, dismantable without the need for tools, in 170 mm wide sections.
- The iron grills are reversible, with different finishes on each side:
 - Tilted and grooved with ridges for meat.
 - Horizontal and flat for fish and vegetables.
- The grills reach a very high temperature (400 °C), meaning that the surface of the product seals rapidly, keeping the inside of the food much juicier.
- Groups of high-efficiency tube burners, (a group of two burners for half-sized module models, two groups for a single module models).
- Independent control for each group of burners via a safety valve with a thermocouple.
- Burners turned on using Piezo electric ignition.
- The burners heat ceramic stones that sit on a supporting rack, so that they can then heat food on the grill.

POSSIBLE ACCESSORIES :

- STANDS 900
- ACCESSORIES KORE
- ACCESSORIES FOR CHARCOALS KORE
- TALL CHIMNEY KORE

SUPPLIED ACCESSORIES:

- 19045084 Scraper for charcoal with FE grill Kore generation 1

DIMENSIONS



X Width	400 mm	X Gross width	422 mm
Y Depth	930 mm	Y Gross depth	1040 mm
Z Height	290 mm	Z Gross height	535 mm
Net Weight	40,0 kg	Gross Weight	50,0 kg
Net volume	0,170 m3	Gross volume	0,235 m3

ELECTRICITY TECHNICAL SPECIFICATIONS

Voltage N/A

GAS TECHNICAL SPECIFICATIONS

Gas type NG
 Gas power 11,00 kW
 Regulated LPG G30/G31 28-30/37 mbar
 NG G20/G25/G25.1 20/25/25 mbar



Catalogue
FOOD SERVICE

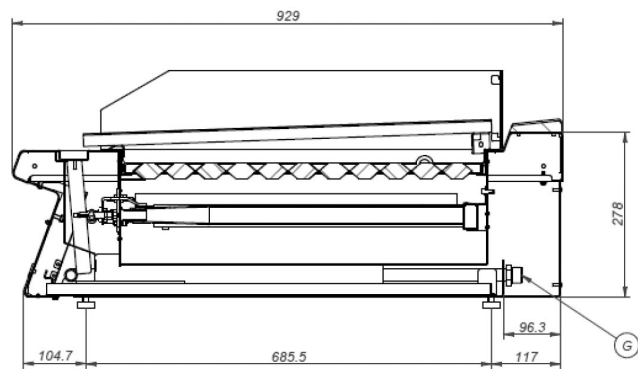
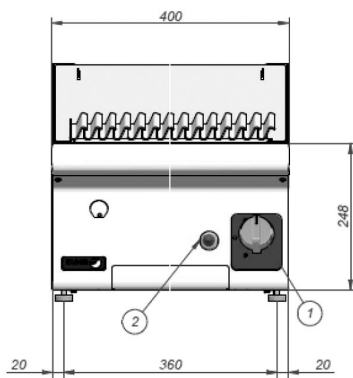
Capítulo
COOKING

Modelo
B-G905 NG

19081682

11/11/2021

B-G905



B-G910

