

## IRONING AND FOLDING

## FLATWORK IRONERS ROLLER Ø 325 PS-20-140/160/200 M

### CHARACTERISTICS

#### ELECTRONIC CONTROL M

- Simple and user friendly: selection of ironing speed and temperature by push buttons
- Digital speed and temperature display

#### EFFICIENCY

- Good heat conduction thanks to the roll material and thickness: greater control of energy expenditure
- Automatic shutdown at 80°C (adjustable parameter)
- Fumes circulation circuit from the bottom reducing energy consumption

#### ROBUSTNESS

- Roll driving by speed inverter
- Nomex quality ironing belts: high temperatures resistant
- Panels in skinplate and stainless steel
- Coiled felt and strips guide for longer lifespan

#### ERGONOMICS

- Acoustic comfort : <60 dB
- Appropriate operating height: 990mm feeding belts
- Minimal encumbrance: space saving, suitable for most areas
- Electronic control with Auto mode: easy to use, optimized ironing speed

#### MAINTENANCE

- Easy access to all components on both sides of the machine
- Basic connections: electrical connection and air extraction

#### OTHERS

- Dries and irons flat linen from a high spin washer extractor in a single operation
- Front feeding and return
- Built-in cool down system
- Polished steel roll ø 325 mm
- Working widths: 1400, 1600 and 2000 mm
- Electric heating
- CE Standard

#### OPTIONS

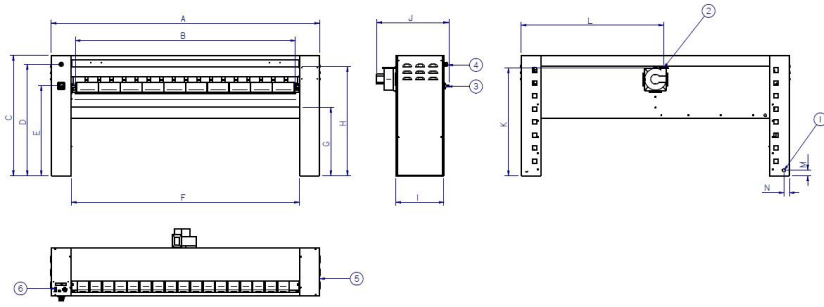
- Marine tension 440V III 60 Hz without N
- Tension 230V III 50-60 Hz



# TECHNICAL DATA

## FLATWORK IRONERS | ROLLER Ø200 | PS-20-140/160/200 M

	UNIT.	PS-20/140 M	PS-20/160 M	PS-20/200 M			
<b>GENERAL DATA</b>							
Theoretical production (electric)*	Kg/h	12	16	22			
	Lb/h	26	35	49			
Evaporation power	l/h	5,4	7,2	9,9			
	USgallon/h	1,4	1,9	2,6			
Ø Roll	mm	200	200	200			
	inch	7,87	7,87	7,87			
Working width	mm	1.400	1.600	2.000			
	inch	55,1	63	78,7			
Height floor-feeding belts	mm	990	990	990			
	inch	39	39	39			
Working speed	m/min	1,5 - 6	1,5 - 6	1,5 - 6			
	ft/min	4,9 - 19,6	4,9 - 19,6	4,9 - 19,6			
Electronic control		M	M	M			
N° Programs	N°	2	2	2			
Length folder	N°	No	No	No			
Large surface contact with linen	°	270	270	270			
<b>POWER</b>							
Electric heating	kW	10,5	12	18			
Total electric power (Elec. model)	kW	10,84	12,34	18,37			
Gas heating	kW	-	-	-			
Total electric power (Gas model)	kW	-	-	-			
Steam heating	kW	-	-	-			
Total electric power (Steam model)	kW	-	-	-			
Roll motor	kW	0,28	0,28	0,28			
Fan motor	kW	0,09	0,09	0,09			
<b>CONNECTIONS</b>		<b>ELECTRIC</b>	<b>GAS</b>	<b>ELECTRIC</b>	<b>GAS</b>	<b>ELECTRIC</b>	<b>GAS</b>
Tension 230V - III + T	n° x mm <sup>2</sup> /A	4x6 / 32A	-	4x10 / 40A	-	4x10 / 50A	-
	n° x AWG/A	4x9 / 32A	-	4 x 7 / 40A	-	4x7 / 50A	-
Tension 400V - III + N + T	n° x mm <sup>2</sup> /A	5x4 / 20A	-	5x4 / 20A	-	5 x 6 / 32A	-
	n° x AWG/A	5x11 / 20A	-	5x11 / 20A	-	5x9 / 32A	-
Ø Gas inlet	BSP	-	-	-	-	-	-
Ø Steam inlet	BSP	-	-	-	-	-	-
Ø Condensed (Steam models)	BSP	-	-	-	-	-	-
<b>DIMENSIONS / DIMENSIONS D'EMBALLA</b>							
Net width / Gross width	mm	1.878 / 2.130	2.128 / 2.340	2.478 / 2.780			
	inch	73,9 / 83,9	83,8 / 92,1	97,6 / 109,4			
Net depth / Gross depth**	mm	444** (666) / 770	444** (666) / 770	444** (6669) / 770			
	inch	17,5 (26,2) / 30,3	17,5 (26,2) / 30,3	17,5 (26,2) / 30,3			
Net height / Gross height	mm	1.110 / 1.400	1.110 / 1.400	1.110 / 1.400			
	inch	43,7 / 55,1	43,7 / 55,1	43,7 / 55,1			
Net weight / Gross weight	Kg	180 / 220	203 / 240	237 / 275			
	Lb	397 / 485	448 / 529	522 / 606			
Volume	m <sup>3</sup>	0,93 / 2,30	1,05 / 2,52	1,22 / 3,00			
	f <sup>3</sup>	32,76 / 81,09	37,12 / 89,08	43,23 / 105,83			
<b>AUTRES</b>							
N° fume outlet	N°	1	1	1			
Ø Extraction	mm	83	83	83			
	inch	3,27	3,27	3,27			
Air flow	m <sup>3</sup> /h	300	300	300			
	cfm	177	177	177			
Noise level	dB	55	55	55			



	A	B	C	D	E	F	G	H	I	J	K	L	M	N
PS-20/140	1.878	1.470	1.110	1.028	830	1.510	631	1.006	444	666	995	1.016	50	50
PS-20/160	2.128	1.720	1.110	1.028	830	1.760	631	1.006	444	666	995	1.141	50	50
PS-20/200	2.478	2.070	1.110	1.028	830	2.110	631	1.006	444	666	995	1.316	50	50