



Catalogue
FOOD SERVICE
Chapter
COOKING

Specific model
CCP7-2G BS NS 230V 1N 50Hz

19104999

18/07/2024

DENOMINATION:

Concept gastronorm GN 1/1 700 depth refrigerated base with 2 doors.

DESCRIPTION :

- Interior constructed with AISI-304 stainless steel exterior in food grade stainless steel.
- 50 mm thickness, CFC-free, high-density (40 kg/m³) polyurethane insulation, injected under high pressure.
- Heavy-duty stainless-steel working top with 100mm high splash-back, preventing spillage behind the counter.
- Intuitive, digital display for electronic control with energy saving function to ensure an optimal control of storing products.
- Stainless steel doors with ergonomic, full-length, robust, perfectly integrated handle that avoids dust and dirt collection.
- Removable pull-out/push-in magnetic door gasket to keep maximum hygiene and maintain the insulating properties
- Hinged doors with automatic return for a perfect closing that minimize temperature gain. Doors have a 120° dwell position and close automatically at less than 90°
- Pivotal front panel with easy access for service access and ventilation grid design allowing machine to be embedded without penalizing performance.
- Internally designed forced draft cooling system with low consumption electronic components to guarantee optimal equipment efficiency and performance
- Optimal air circulation system that guarantees a balanced and constant distribution throughout the equipment, so that the temperature remains uniform. It helps preserve food for longer.
- Height-adjustable stainless steel legs. Height of the legs can be adjusted individually (130 mm - 200 mm) to enable convenient cleaning.
- Automatic evaporation of defrost water.
- Stamped edge interiors, easier cleaning operations to reduce potential dirt traps with a built-in drainage to get rid of waste liquid inside units.
- Removable and height adjustable epoxy coated GN 2/3 grids with a maximum loading capacity of up to 40 kg.
- Equipment with 1 GN 2/3 grids and height adjustable 2 sets of tray slides per each full door.

POSSIBLE OPTIONS :

- Wheels Kit (Factory Assembly)
- Door frame resistance
- Remote group

STANDARD OPTIONS :

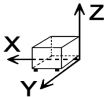
- Stainless Backing
- Without breastplate
- Panoramic aperture
- Drawers [1/3 + 2/3] unit

POSSIBLE ACCESSORIES :

- ACCESSORIES FOR REFRIGERATION

SUPPLIED ACCESSORIES:

DIMENSIONS



X Width	1207 mm	X Gross width	1305 mm
Y Depth	700 mm	Y Gross depth	750 mm
Z Height	590 mm	Z Gross height	800 mm
Net Weight	90,0 kg	Gross Weight	95,0 kg
Net volume	0,588 m ³	Gross volume	0,783 m ³

ELECTRICITY TECHNICAL SPECIFICATIONS

Electric power	0,249 kW
Voltage	230V
Phases	1N
Electric frequency	50Hz
Amperage (A)	1,3 A

COLD TECHNICAL SPECIFICATIONS

Temperature	0 +8 °C
Climate class	4
Refrigeration power	0,369 kW
GWP	3
Cooling gas load	91,000 g
Gross internal volume	110 L
Noise level	54,00 dB
Condensation system	Vent.
Model Type	Counter Cabinet
Annual elec. consumption	730,00 kWh
Power consumption 24h	2,00 kWh
Refrigeration net.vol	89 L
IEE	36
Clasif. Energy efficiency	C

CONNECTIONS TECHNICAL SPECIFICATIONS

Single-phase 230V wiring	2X1,5+T - 2 A
--------------------------	---------------

OTHERS

Number of doors	2
-----------------	---





Catalogue
FOOD SERVICE
Chapter
COOKING

Specific model
CCP7-2G BS NS 230V 1N 50Hz

19104999

18/07/2024

- 19033558 Tray support guides for pastry upright. 4
- 19106414 Epoxi grid for Kore 700 refrigerated bases, GN 2/3. 2



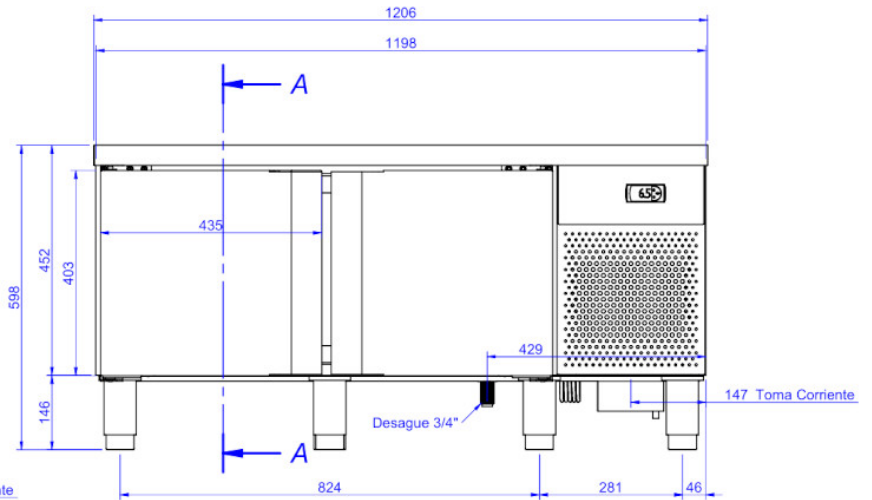
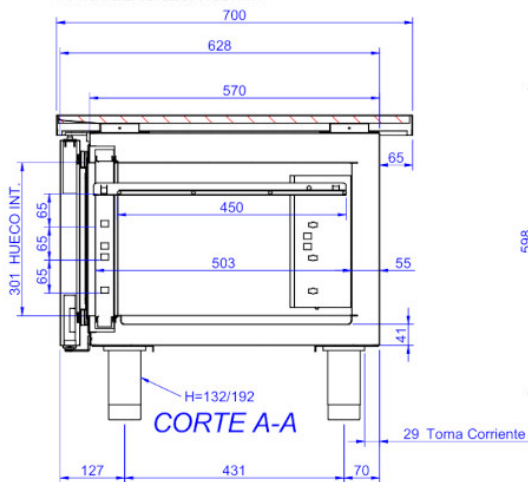
Catalogue
FOOD SERVICE
Chapter
COOKING

Specific model
CCP7-2G BS NS 230V 1N 50Hz

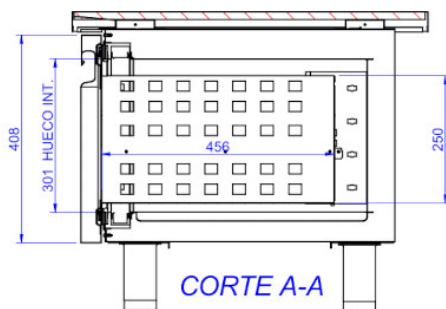
19104999

18/07/2024

MODELO PUERTAS
VENTILACION TIRO FORZADO
EVAPORADOR CENTRAL (ENTRE PUERTAS)
4 NIVELES PUERTA IZDA SEPAR.65mm
3 NIVELES PUERTA DCHA SEPAR.65mm
PARRILLAS 325X450mm



MODELO CAJONES
VENTILACION TIRO FORZADO
EVAPORADOR CENTRAL (ENTRE CAJONES)
RESPALDO INOX
2 CAJONES PROF.250mm



MODELO CAJONES APAISADOS
EVAPORADOR RESPALDO
VENTILACION TIRO FORZADO
2 CAJONES 746x394x77mm

