



**Catalogue**  
FOOD SERVICE  
**Chapter**  
REFRIGERATION

**Specific model**  
CUP-11B 230V 1N 50Hz

19089526

17/07/2024

The photo may show the standard model and not the configured one

**DENOMINATION:**

Pastry refrigerated upright EN60x40, single body with 1 door.

**DESCRIPTION :**

- Interior and exterior built-in with food grade stainless steel for intensive professional applications.
- 50 mm thickness, CFC-free, high-density (40 kg/m<sup>3</sup>) polyurethane insulation, injected under high pressure.
- Constructed with a rail system placed in the front and back of the upright with 20 grid level position and 60mm distance among them.
- Intuitive, digital display for electronic control with energy saving function to ensure an optimal control of storing products.
- Stainless steel doors with ergonomic, full-length, robust, perfectly integrated handle. that ensures practical opening and avoids dust and dirt collection.
- Removable pull-out/push-in magnetic door gasket to keep maximum hygiene and maintain the insulating properties.
- Hinged doors with automatic return for a perfect closing that minimize temperature gain. Doors have a 120° dwell position and close automatically at less than 90°.
- Pivotal panel with better access to control that facilitates service, thus enlarging the useful life of the equipment.
- Automatic evaporation of defrost water.
- Internally designed forced draft cooling system with low consumption electronic components to guarantee optimal equipment efficiency and performance.
- Optimal air circulation system that guarantees a balanced and constant distribution throughout the equipment, so that the temperature remains uniform. It helps preserve food for longer.
- Height-adjustable stainless steel legs. Height of the legs can be adjusted individually (130 mm - 200 mm) to enable convenient cleaning.
- Low energy consumption LED lighting horizontally located in the interior of compartment.
- Stamped edge interiors, for easier cleaning operations to reduce potential dirt traps with a built-in drainage to get rid of waste liquid inside units.
- Removable and height adjustable epoxy coated EN60x40 size grids with a maximum loading capacity of up to 40 kg.
- Defrost by a heating element to remove ice accumulated in the evaporator.

**POSSIBLE OPTIONS :**

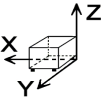
- 60 Hz
- Stainless Backing
- Wheels Kit (Factory Assembly)
- Door frame resistance
- Locks
- Opposite Opening
- Pedal
- Remote group

**POSSIBLE ACCESSORIES :**

- REFRIGERATION
- ACCESSORIES FOR REFRIGERATION

**DIMENSIONS**

X Width	760 mm	X Gross width	840 mm
Y Depth	729 mm	Y Gross depth	800 mm
Z Height	2006 mm	Z Gross height	2025 mm
Net Weight	163,0 kg	Gross Weight	171,0 kg
Net volume	1,111 m <sup>3</sup>	Gross volume	1,361 m <sup>3</sup>



**ELECTRICITY TECHNICAL SPECIFICATIONS**

Electric power	0,251 kW
Voltage	230V
Phases	1N
Electric frequency	50Hz
Amperage (A)	1,47A

**COLD TECHNICAL SPECIFICATIONS**

Temperature	0 +8 °C
Climate class	4
Refrigeration power	0,369 kW
GWP	3
Cooling gas load	114,000 g
Gross internal volume	574 L
Noise level	53,00 dB
Condensation system	Vent.
Model Type	Vertical cabinet
Annual elec. consumption	927,00 kWh
Power consumption 24h	2,54 kWh
Refrigeration net.vol	302 L
IEE	84
Clasif. Energy efficiency	E

**CONNECTIONS TECHNICAL SPECIFICATIONS**

Single-phase 230V wiring	2X1+T-2A
--------------------------	----------

**OTHERS**

Number of doors	1
-----------------	---





**Catalogue**  
FOOD SERVICE  
**Chapter**  
REFRIGERATION

**Specific model**  
CUP-11B 230V 1N 50Hz

19089526

17/07/2024

The photo may show the standard model and not the configured one

**SUPPLIED ACCESSORIES:**

- 19033558 Tray support guides for pastry upright. 6
- 19097776 EN60x40 epoxi grid for pastry upright. 3

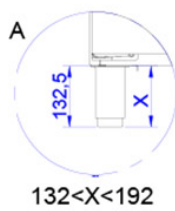
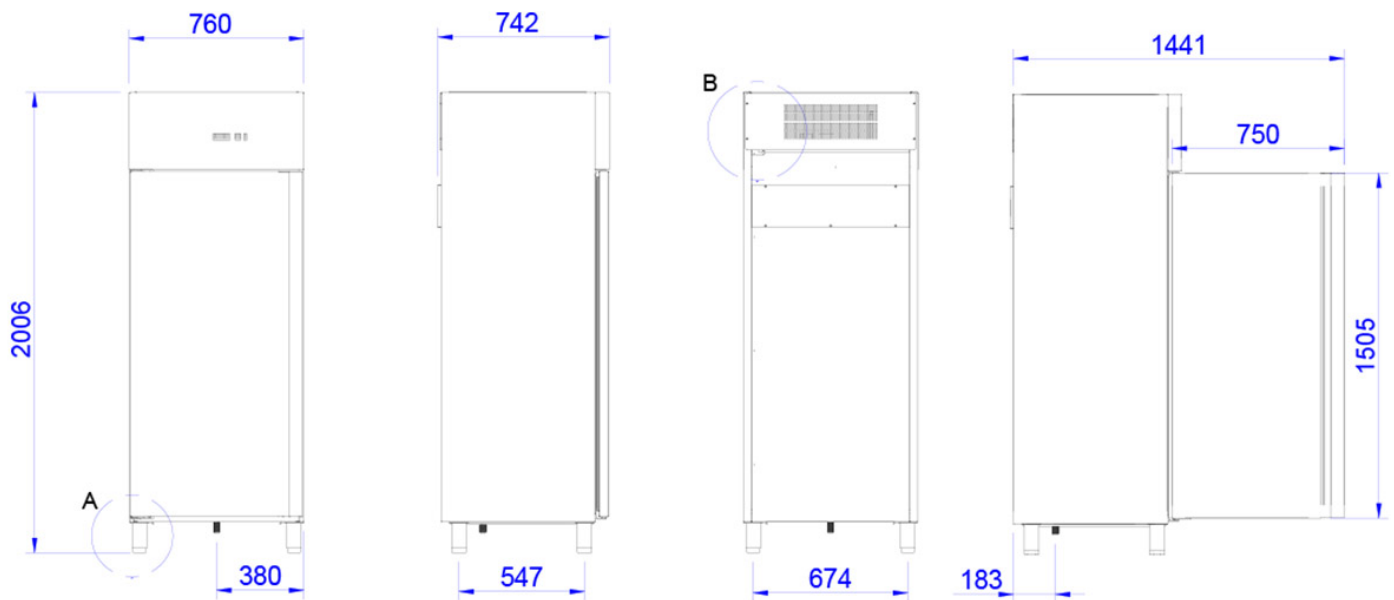


**Catalogue**  
FOOD SERVICE  
**Chapter**  
REFRIGERATION

**Specific model**  
CUP-11B 230V 1N 50Hz

19089526

17/07/2024



132 < X < 192

