



Catalogue
FOOD SERVICE
Chapter
COOKING

Specific model
BM-G705 LPG 230V 1N

19069826

04/09/2023

DENOMINATION:

Gas bain marie, LPG, half module, 700 range.

DESCRIPTION :

- "- Surface tops manufactured in 1.5 mm thick AISI-304 stainless steel.
- Laser-cut joints, automatic welding and polishing. Hidden screws.
- AISI-304 stainless steel wells built into the surface top.
- Gravity drainage: simple well drainage through removal of the overflow pipe.
- Thermostatic temperature control of the water, between 30 and 90 °C.
- Controls with a protective support base and system to prevent water infiltration (IPX5 protection)."
- Wells that can be used with different types of Gastronorm containers of different sizes, 150 mm high, and with dimensions NG-1/1, with 17 litre capacity.
- "- Insulated combustion chamber which reduces heating of the components.
- High-efficiency stainless steel burner located outside the well.
- Pilot light via piezo ignition.
- Tube for alternative manual ignition.
- Does not require electrical installation."

POSSIBLE OPTIONS :

- 230 1N- Transformation A 230 V single phase
- 230 III - A 230 V three-phase transformation without neutral
- MARINE - Other machines - Ship transformation - 440 III

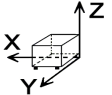
POSSIBLE ACCESSORIES :

- FOOD SERVICE
- ACCESSORIES KORE
- STANDS 700
- FRY-TOP ACCESSORIES KORE
- TALL CHIMNEY KORE

SUPPLIED ACCESSORIES:

- 12132806 Cuvette separator BM9-05 2

DIMENSIONS



X Width	400 mm	X Gross width	440 mm
Y Depth	730 mm	Y Gross depth	822 mm
Z Height	290 mm	Z Gross height	535 mm
Net Weight	22,0 kg	Gross Weight	35,0 kg
Net volume	0,140 m3	Gross volume	0,193 m3

ELECTRICITY TECHNICAL SPECIFICATIONS

Voltage 230V - 1N

GAS TECHNICAL SPECIFICATIONS

Gas type LPG
 Gas power 3,25 kW
 Gas consumption 0,256 kg/h
 Regulated LPG G30/G31 28-30/37 mbar
 NG G20/G25/G25.1 20/25/25 mbar

CONNECTIONS TECHNICAL SPECIFICATIONS

Gas diameter 1 R3/4"
 Drain 1 diameter 3/4"



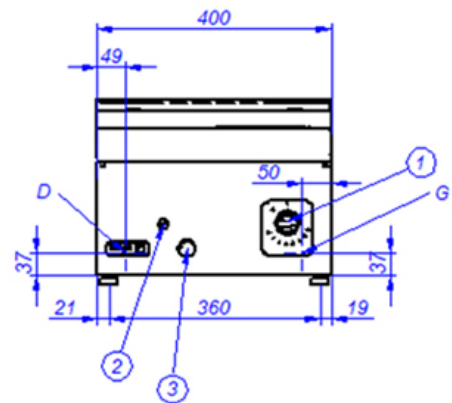
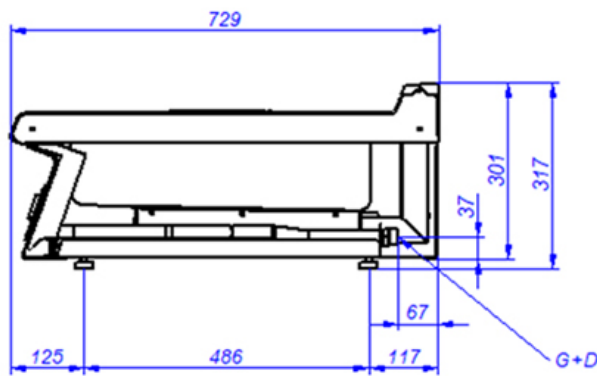
Catalogue
FOOD SERVICE
Chapter
COOKING

Specific model
BM-G705 LPG 230V 1N

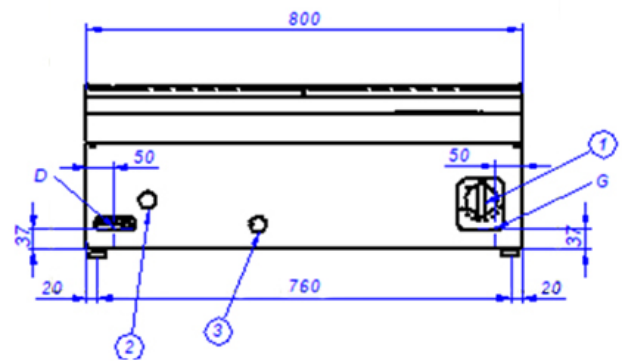
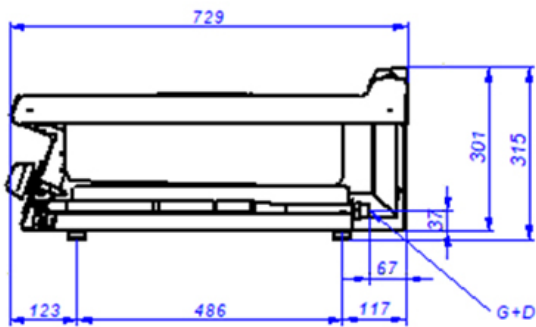
19069826

04/09/2023

BM-G705



BM-G710



G – Entrada de Gas

D – Desagüe

1 – Válvula de gas

2 – Pulsador tren de chispas

3 – Orificio de encendido manual

Gas Inlet

Drainage

Gas valve

Piezoelectric ignitor

Manual ignition hole