



Catalogue
FOOD SERVICE
Chapter
COOKING

Specific model
C-G711 NG

19074767

04/09/2023

DENOMINATION:

Gas solid top with oven, GN, 700 range.

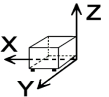
DESCRIPTION :

- "- Surface tops manufactured in 1.5 mm thick AISI-304 stainless steel.
- Laser-cut joints and automatic welding. Hidden screws.
- 10 mm-thick cast iron plate with rounded corners.
- Fry-top dimensions: 800 x 580 mm.
- Shield with 300 mm diameter.
- Refractory brick inside for improved heat use and distribution.
- Differentiated usage temperatures: 500 °C at the centre and 200 °C at the edges.
- Double-crown burner and diffuser made of cast iron which guarantee an even distribution of heat from the flame.
- Burner power: 8.4 kW.
- Low-consumption pilot light and thermocouple located within the body of the burner for greater protection.
- Flexible stainless-steel gas pipes, facilitating internal manipulation in order to make repairs easier.
- Controls with a protective support base and system to prevent water infiltration.
- High-temperature enamelled cast iron flue protector which is flush with the grates therefore improving manoeuvrability, supporting larger containers and increasing the usable surface area.
- Access to components from the front."
- "- Easy-to-use NG 2/1 static oven with controls located on the upper panel for improved ergonomics.
- Cooking chamber made entirely of stainless steel which makes cleaning easier and ensures greater hygiene.
- Trays are inserted sideways which improves manoeuvrability.
- Rails on three height levels to offer different cooking options.
- Rails with anti-tipping system to prevent trays from overturning.
- Thermostatic valve for temperature control (125 - 310 °C).
- Tubular stainless-steel burner with pilot light and thermocouple and piezoelectric ignition.
- Cast iron oven floor which guarantees better performance and uniform heat distribution.
- Fibreglass closing seal to improve the thermal efficiency of the oven and ensure its durability.
- Stamped oven frame and inner door, ensuring better oven closure.
- Detachable oven door to facilitate repairs."

POSSIBLE ACCESSORIES :

- KORE WHEELS
- TALL CHIMNEY KORE

DIMENSIONS



X Width	800 mm	X Gross width	840 mm
Y Depth	730 mm	Y Gross depth	822 mm
Z Height	850 mm	Z Gross height	1255 mm
Net Weight	141,0 kg	Gross Weight	159,0 kg
Net volume	0,500 m3	Gross volume	0,867 m3

ELECTRICITY TECHNICAL SPECIFICATIONS

Voltage N/A - N/A

GAS TECHNICAL SPECIFICATIONS

Gas type NG
 Gas power 17,00 kW
 Gas consumption 1,682 m3/h
 Regulated LPG G30/G31 28-30/37 mbar
 NG G20/G25/G25.1 20/25/25 mbar

CONNECTIONS TECHNICAL SPECIFICATIONS

Gas diameter 1 R.3/4"G



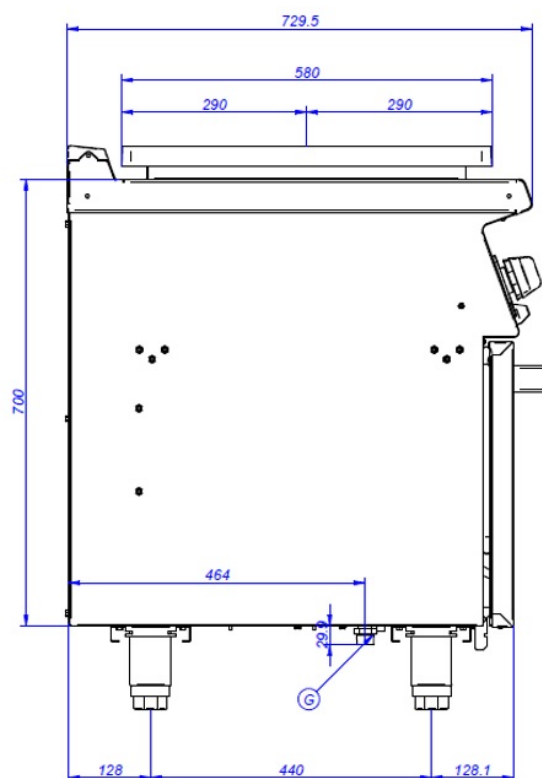
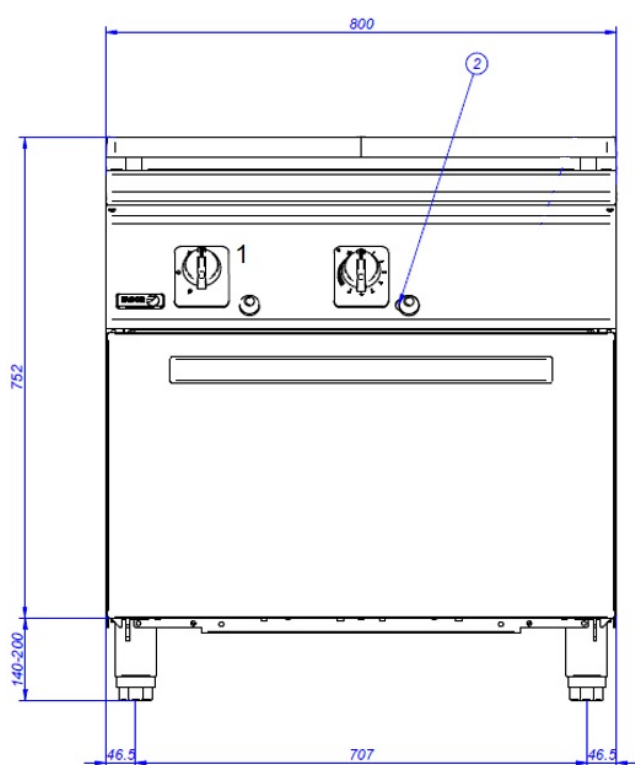
Catalogue
FOOD SERVICE
Chapter
COOKING

Specific model
C-G711 NG

19074767

04/09/2023

C-G711



G. Entrada de Gas
1. Válvula de gas
2. Pulsador tren de chispas

Gas Inlet
Gas valve
Piezoelectric ignitor