



**Catalogue**  
FOOD SERVICE  
**Chapter**  
COOKING

**Specific model**  
BM-E905 230V 1N

19075487

24/04/2023

**DENOMINATION:**

Electric bain marie, half module, 900 range.

**DESCRIPTION :**

- "- Surface tops manufactured in 2 mm thick AISI-304 stainless steel.
- Laser-cut joints, automatic welding and polishes. Screws hidden from view.
- Simple draining of the well by removing the overflow tube.
- Regulation of water temperature by thermostat, between 30 and 90 °C.
- Controls with protective base and system against water infiltration (IPX5 grade protection).
- High temperature enamelled cast iron flue protector.
- Access to the components from the front.
- Machines with IPX5 grade water protection."
- "- Wells accommodating different configurations of Gastronorm containers of different sizes, 150 mm high and with dimensions: GN-1/1+1/3, with 22 litres capacity.
- Wells inbuilt into the surface top, manufactured with AISI-304 stainless steel."
- "- AISI-304 stainless steel heating elements located on the outside of the well.
- Safety thermostat in the electric models."

**POSSIBLE OPTIONS :**

- 230 1N- Transformation A 230 V single phase
- 230 III - A 230 V three-phase transformation without neutral
- MARINE - Other machines - Ship transformation - 440 III

**POSSIBLE ACCESSORIES :**

- FOOD SERVICE
- STANDS 900
- ACCESSORIES KORE
- BAIN MARIE ACCESSORIES KORE
- TALL CHIMNEY KORE

**SUPPLIED ACCESSORIES:**

- 12132806 Cuvette separator BM9-05 3

**DIMENSIONS**



X Width	400 mm	X Gross width	440 mm
Y Depth	930 mm	Y Gross depth	1022 mm
Z Height	290 mm	Z Gross height	535 mm
Net Weight	32,0 kg	Gross Weight	45,0 kg
Net volume	0,110 m3	Gross volume	0,241 m3

**ELECTRICITY TECHNICAL SPECIFICATIONS**

Electric power	3,000 kW
Amperage (A)	16A
Heating power	3,00 kW
Voltage	230V - 1N
Electric frequency	50/60Hz

**CONNECTIONS TECHNICAL SPECIFICATIONS**

Single-phase 230V wiring	2X1,5MM2+T
Drain 1 diameter	30X25





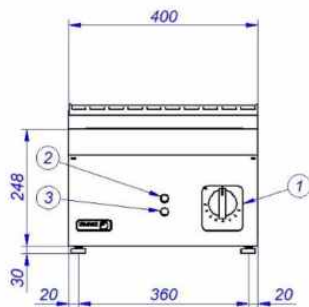
**Catalogue**  
FOOD SERVICE  
**Chapter**  
COOKING

**Specific model**  
BM-E905 230V 1N

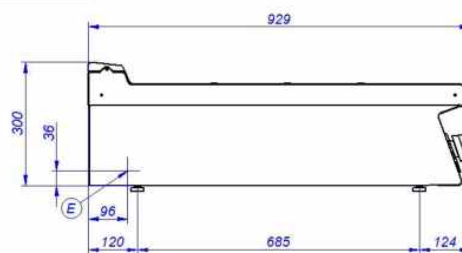
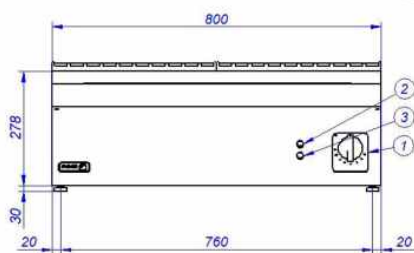
19075487

24/04/2023

### **BM-E905**



### **BM-E910**



E – Conexión eléctrica  
1 – Mando eléctrico  
2 – Piloto verde  
3 – Piloto ambar

Electrical connection  
Electric control  
Green pilot  
Ambar pilot