



Catalogue
FOOD SERVICE
Chapter
COOKING

Specific model
BM-G905 NG 230V 1N

19075492

12/07/2023

DENOMINATION:

Gas bain marie, NG, half module, 900 range.

DESCRIPTION :

- "- Surface tops manufactured in 2 mm thick AISI-304 stainless steel.
- Laser-cut joints, automatic welding and polishes. Screws hidden from view.
- Simple draining of the well by removing the overflow tube.
- Regulation of water temperature by thermostat, between 30 and 90 °C.
- Controls with protective base and system against water infiltration (IPX5 grade protection).
- High temperature enamelled cast iron flueum protector.
- Access to the components from the front.
- Machines with IPX5 grade water protection."
- "- Wells accommodating different configurations of Gastronorm containers of different sizes, 150 mm high and with dimensions: GN-1/1+1/3, with 22 litres capacity.
- Wells inbuilt into the surface top, manufactured with AISI-304 stainless steel."
- "- Insulated combustion chamber, reducing heating of components.
- High efficiency stainless steel burner, located on the outside of the well.
- Electronic ignition by spark train.
- Tube for alternative manual ignition."

POSSIBLE OPTIONS :

- 230 1N- Transformation A 230 V single phase
- 230 III - A 230 V three-phase transformation without neutral
- MARINE - Other machines - Ship transformation - 440 III

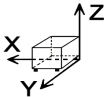
POSSIBLE ACCESSORIES :

- FOOD SERVICE
- STANDS 900
- ACCESSORIES KORE
- BAIN MARIE ACCESSORIES KORE
- TALL CHIMNEY KORE

SUPPLIED ACCESSORIES:

- 12132806 Cuvette separator BM9-05 3

DIMENSIONS



X Width	400 mm	X Gross width	440 mm
Y Depth	930 mm	Y Gross depth	1022 mm
Z Height	290 mm	Z Gross height	535 mm
Net Weight	32,0 kg	Gross Weight	45,0 kg
Net volume	0,110 m3	Gross volume	0,241 m3

ELECTRICITY TECHNICAL SPECIFICATIONS

Electric power	0,100 kW
Amperage (A)	2A
Voltage	230V - 1N
Electric frequency	50/60Hz

GAS TECHNICAL SPECIFICATIONS

Gas type	NG
Gas power	3,25 kW
Gas consumption	0,340 m3/h
Regulated	NG G20/G25/G25.1 20/25/25 mbar

CONNECTIONS TECHNICAL SPECIFICATIONS

Gas diameter 1	R3/4"
Drain 1 diameter	30X25



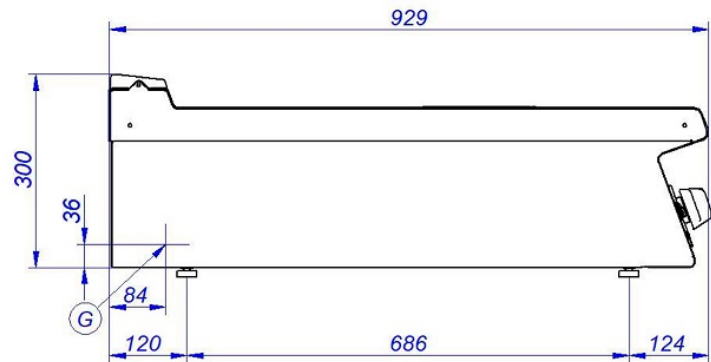
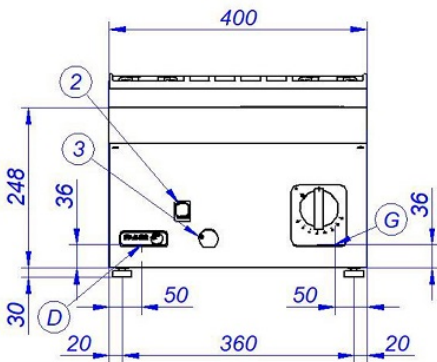
Catalogue
FOOD SERVICE
Chapter
COOKING

Specific model
BM-G905 NG 230V 1N

19075492

12/07/2023

BM-G905



BM-G910

