



Catalogue
FOOD SERVICE
Chapter
COOKING

Specific model
CP-E910 400V 3N

19075584

24/04/2023

DENOMINATION:

Electric pasta cooker, 2 wells of 40 L, 900 range.

DESCRIPTION :

- "- Surface tops manufactured in 2 mm thick AISI-304 stainless steel.
- Laser-cut joints, automatic welding and polishes. Screws hidden from view.
- Wells integrated into the surface top, manufactured in 1.5 mm thick AISI-316L stainless steel.
- Wells with 1/1 dimensions, capacity 40 litres. Accommodate different configurations of different sized baskets
- Well filling by means of entrance electrovalve with two position switch: medium filling speed and high speed.
- Draining of well by means of hightemperature resistant mechanical ball valve with safety overflow.
- Automatic safety system that breaks the circuit if the water runs out.
- Drainer located at the front for the baskets to be rested on.
- Controls with protective base and system against water infiltration.
- High temperature enamelled cast iron flue protector.
- Access to the components from the front.
- Machines with IPX5 grade water protection."
- "- Electric models with AISI-304 stainless steel heating elements situated in the bottom of the well to heat the water directly.
- Heating controls by energy regulator."

POSSIBLE OPTIONS :

- 230 1N- Transformation A 230 V single phase
- 230 III - A 230 V three-phase transformation without neutral
- MARINE - Other machines - Ship transformation - 440 III

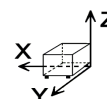
POSSIBLE ACCESSORIES :

- COOKING
- KORE WHEELS
- PASTA COOKER ACCESSORIES KORE

SUPPLIED ACCESSORIES:

- 12008637 GN 1/3 cooking basket 6

DIMENSIONS



X Width	800 mm	X Gross width	840 mm
Y Depth	930 mm	Y Gross depth	1022 mm
Z Height	850 mm	Z Gross height	1255 mm
Net Weight	100,0 kg	Gross Weight	120,0 kg
Net volume	0,630 m3	Gross volume	1,077 m3

ELECTRICITY TECHNICAL SPECIFICATIONS

Electric power	24,000 kW
Amperage (A)	40A
Heating power	24,00 kW
Voltage	400V - 3N
Electric frequency	50/60Hz

WATER TECHNICAL SPECIFICATIONS

Pressure	H2O: 200-400kPa(2-4bar)
----------	-------------------------

CONNECTIONS TECHNICAL SPECIFICATIONS

Three-phase +N 400V wiring	2X(4X6MM2+T)
Water inlet diameter	3/4"
Drain 1 diameter	1"
Drain 2 diameter	30X25



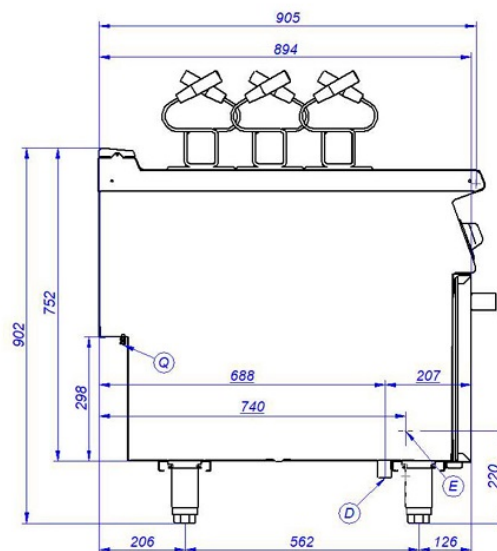
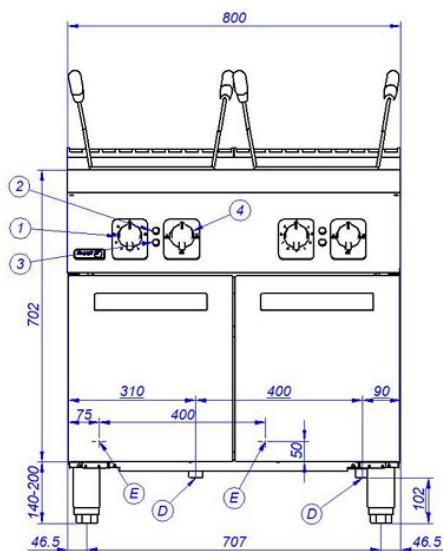
Catalogue
FOOD SERVICE
Chapter
COOKING

Specific model
CP-E910 400V 3N

19075584

24/04/2023

CP-E910



E – Conexión eléctrica
Q – Conexión equipotencial
D – Válvula de desagüe
1 – Mando termostato
2 – Piloto verde
3 – Piloto ambar
4 - Mando entrada agua

Electrical connection
Equipotential connection
Drain valve
Thermostat control
Green pilot
Ambar pilot
Water control