



**Catalogue**  
FOOD SERVICE  
**Chapter**  
COOKING

**Specific model**  
CP-E905 400V 3N

19075581

24/04/2023

**DENOMINATION:**

Electric pasta cooker, 1 well of 40 L, 900 range.

**DESCRIPTION :**

- "- Surface tops manufactured in 2 mm thick AISI-304 stainless steel.
- Laser-cut joints, automatic welding and polishes. Screws hidden from view.
- Wells integrated into the surface top, manufactured in 1.5 mm thick AISI-316L stainless steel.
- Wells with 1/1 dimensions, capacity 40 litres. Accommodate different configurations of different sized baskets
- Well filling by means of entrance electrovalve with two position switch: medium filling speed and high speed.
- Draining of well by means of hightemperature resistant mechanical ball valve with safety overflow.
- Automatic safety system that breaks the circuit if the water runs out.
- Drainer located at the front for the baskets to be rested on.
- Controls with protective base and system against water infiltration.
- High temperature enamelled cast iron flue protector.
- Access to the components from the front.
- Machines with IPX5 grade water protection."
- "- Electric models with AISI-304 stainless steel heating elements situated in the bottom of the well to heat the water directly.
- Heating controls by energy regulator."

**POSSIBLE OPTIONS :**

- 230 1N- Transformation A 230 V single phase
- 230 III - A 230 V three-phase transformation without neutral
- MARINE - Other machines - Ship transformation - 440 III

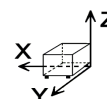
**POSSIBLE ACCESSORIES :**

- COOKING
- KORE WHEELS
- PASTA COOKER ACCESSORIES KORE
- TALL CHIMNEY KORE

**SUPPLIED ACCESSORIES:**

- 12008637 GN 1/3 cooking basket 3

**DIMENSIONS**



X Width	400 mm	X Gross width	440 mm
Y Depth	930 mm	Y Gross depth	1022 mm
Z Height	850 mm	Z Gross height	1255 mm
Net Weight	65,0 kg	Gross Weight	70,0 kg
Net volume	0,320 m3	Gross volume	0,564 m3

**ELECTRICITY TECHNICAL SPECIFICATIONS**

Electric power	12,000 kW
Amperage (A)	18A
Heating power	12,00 kW
Voltage	400V - 3N
Electric frequency	50/60Hz

**WATER TECHNICAL SPECIFICATIONS**

Pressure	H2O: 200-400kPa(2-4bar)
----------	-------------------------

**CONNECTIONS TECHNICAL SPECIFICATIONS**

Three-phase +N 400V wiring	4X2,5MM2+T
Water inlet diameter	3/4"
Drain 1 diameter	30X25



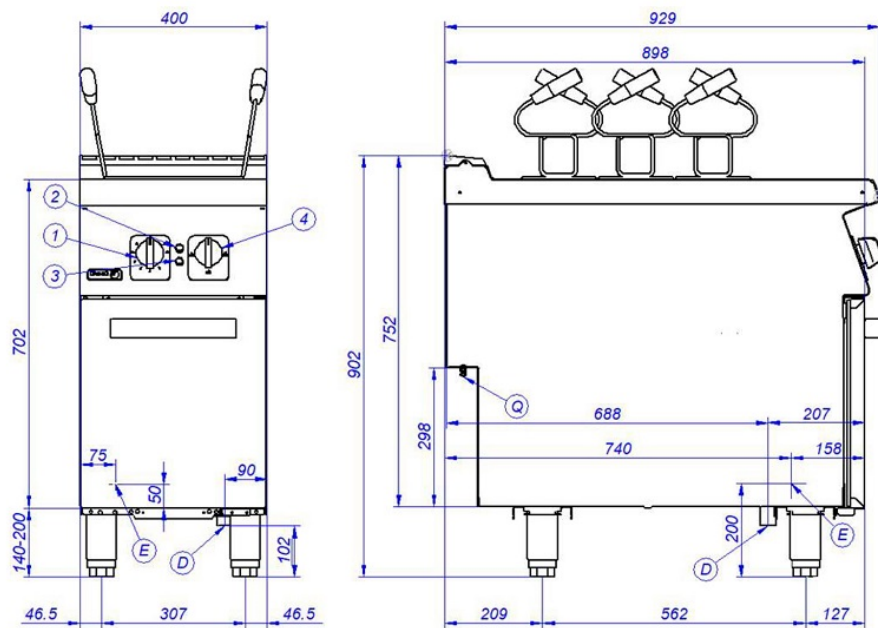
**Catalogue**  
FOOD SERVICE  
**Chapter**  
COOKING

**Specific model**  
CP-E905 400V 3N

19075581

24/04/2023

## CP-E905



E – Conexión eléctrica  
Q – Conexión equipotencial  
D – Válvula de desagüe  
1 – Mando termostato  
2 – Piloto verde  
3 – Piloto ambar  
4 - Mando entrada agua

Electrical connection  
Equipotential connection  
Drain valve  
Thermostat control  
Green pilot  
Ambar pilot  
Water control