

IRONING AND FOLDING

WALL IRONERS ROLLER Ø 250 P-25-100/120/140/200 M

CHARACTERISTICS

ELECTRONIC PROGRAMMER

- Simple and user friendly : digital screen, precise control of temperature
- Preset ironing speeds, not adjustable

EFFICIENCY

- Acoustic comfort : 55 dB max
- Minimum space requirement: space saving, suitable for small spaces.
- Ideal for processing small quantity of flat linen in facilities like restaurants, guest rooms, hostels...

ROBUSTNESS

- Nomex coating: resistant to high temperatures
- Panels in grey skinplate and stainless steel
- Wooden feeding table
- New kinematics: better reliability
- Industrial roll axle and bearings: more durable

FEATURES

- Large roll contact area with the linen
- Automatic roll lifting control by foot cell detection.
- Two available models:
 - Standard: roll with cotton polyester coating.
 - Nomex: roll with Nomex coating.

MAINTENANCE

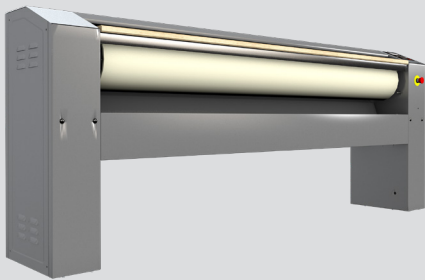
- Easy installation : requires only an electrical connection
- Easy access on both sides for maintenance
- Quick and easy dismantling of bearings

OTHERS

- Irons flat linen with recommended relative moisture between 5 and 10 % from a tumble dryer
- Front feeding and return
- Roll ø 250 mm
- Working widths: 1.000, 1.200 ,1.400 and 2.000 mm
- Electric heating
- CE certification

OPTIONS

- Pedal control kit (instead of photocell)
- Marine voltage 440V III 60 Hz without N
- 230V III+T 50-60 Hz
- 230V I+N+T 50 Hz (except P25/200 model)

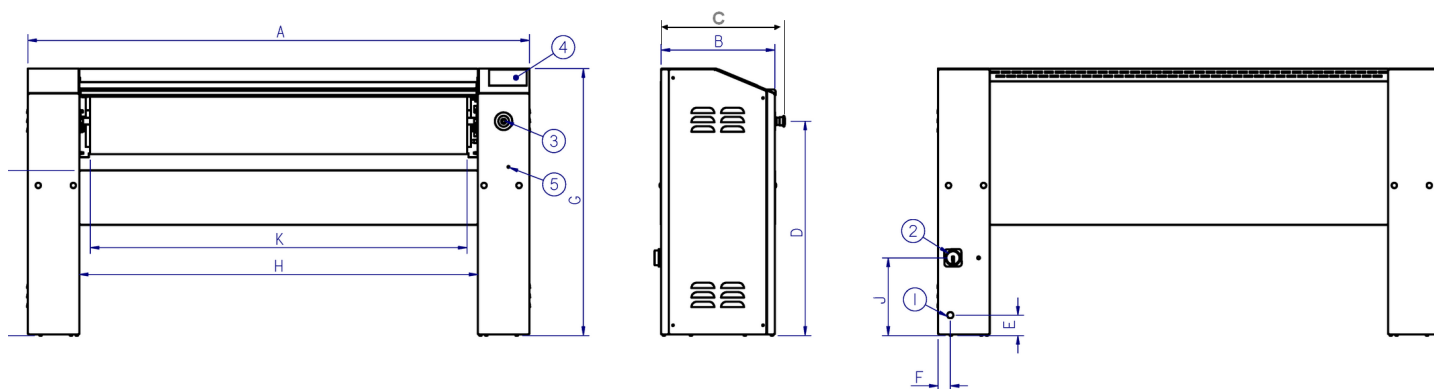


TECHNICAL DATA

WALL IRONERS | ROLLER Ø 250 | P-25-100/120/140/200 M

| | UNIT. | P-25/100 M | P-25/120 M | P-25/140 M | P-25/200 M |
|--|-------------|-----------------|-----------------|-----------------|-----------------|
| GENERAL DATA | | | | | |
| Theoretical production* | Kg/h | 25 | 27,5 | 30 | 35 |
| | Lb/h | 55,12 | 60,63 | 66,14 | 77,16 |
| Ø Roll | mm | 250 | 250 | 250 | 250 |
| | inch | 9,84 | 9,84 | 9,84 | 9,84 |
| Working width | mm | 1.000 | 1.200 | 1.400 | 2.000 |
| | inch | 39,37 | 47,24 | 55,12 | 78,74 |
| Working speed | m/min | 4,2 | 4,2 | 4,2 | 4,2 |
| | ft/mn | 13,77 | 13,77 | 13,77 | 13,77 |
| Electronic control | - | Yes | Yes | Yes | Yes |
| Chest motion | - | Auto | Auto | Auto | Auto |
| POWER | | | | | |
| Heating power | Kw | 4,95 | 6 | 7 | 12 |
| Roll motor power | Kw | 0,18 | 0,18 | 0,18 | 0,18 |
| Total electric power | Kw | 5,13 | 6,18 | 7,18 | 12,18 |
| CONNECTIONS | | ELECTRIC | ELECTRIC | ELECTRIC | ELECTRIC |
| Tension 230V - I + N + T | n° x mm² /A | 3 x 6 / 25A | 3 x 6 / 32A | 3 x 10 / 40A | - |
| | n° x AWG/A | 3 x 9 / 25A | 3 x 9 / 32A | 3 x 7 / 40A | - |
| Tension 230V - III + T | n° x mm² /A | 4 x 2,5 / 16A | 4 x 4 / 20A | 4 x 4 / 20A | 4 x 6 / 32A |
| | n° x AWG/A | 4 x 13 / 16A | 4 x 11 / 20A | 4 x 11 / 20A | 4 x 9 / 32A |
| Tension 400V - III + N + T | n° x mm² /A | 5 x 2,5 / 10A | 5 x 2,5 / 10A | 5 x 2,5 / 16A | 5 x 4 / 20A |
| | n° x AWG/A | 5 x 13 / 10A | 5 x 13 / 10A | 5 x 13 / 16A | 5 x 11 / 20A |
| DIMENSIONS / PACKING DIMENSIONS | | | | | |
| Net width/ Gross width | mm | 1.462 / 1.490 | 1.662 / 1.690 | 1.862 / 1.890 | 2.462 / 2.490 |
| | inch | 58 / 59 | 65 / 67 | 73 / 74 | 97 / 98 |
| Net depth/ Gross depth | mm | 484 / 540 | 484 / 540 | 484 / 540 | 484 / 540 |
| | inch | 19 / 21 | 19 / 21 | 19 / 21 | 19 / 21 |
| Net height/ Gross height | mm | 985 / 1.130 | 985 / 1.130 | 985 / 1.130 | 985 / 1.130 |
| | inch | 39 / 44 | 39 / 44 | 39 / 44 | 39 / 44 |
| Net weight/ Gross weight | Kg | 114 / 124 | 124 / 134 | 134 / 154 | 164 / 184 |
| | Lb | 251 / 273 | 273 / 295 | 295 / 340 | 362 / 406 |
| Net volume / Gross volume | m³ | 0,69 / 0,91 | 0,79 / 1,03 | 0,89 / 1,15 | 1,17 / 1,51 |
| | ft³ | 24,37 / 32,14 | 27,90 / 36,37 | 31,43 / 40,61 | 41,32 / 53,33 |
| OTHERS | | | | | |
| Noise level | dB | 55 | 55 | 55 | 55 |

*20% - 25% residual moisture



| | A | B | C | D | E | F | G | H | I | J | K |
|----------|-------|-----|-----|-----|----|----|-----|-------|-----|-----|-------|
| P-25/100 | 1.462 | 423 | 484 | 791 | 75 | 45 | 985 | 1.079 | 610 | 287 | 998 |
| P-25/120 | 1.662 | 423 | 484 | 791 | 75 | 45 | 985 | 1.279 | 610 | 287 | 1.198 |
| P-25/140 | 1.862 | 423 | 484 | 791 | 75 | 45 | 985 | 1.479 | 610 | 287 | 1.398 |
| P-25/200 | 2.462 | 423 | 484 | 791 | 75 | 45 | 985 | 2.079 | 610 | 287 | 1.998 |