



Catalogue
FOOD SERVICE
Chapter
DISHWASHING

Specific model
CCO-320 R ECO 380-415V 3N 50Hz

19048633

12/06/2024

DENOMINATION:

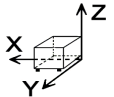
Modular rack conveyor 320 racks/hour with entrance from the right gas heated

DESCRIPTION :

"-The Concept modular dishwashers are composed of different modules put together, which carry out different operations, making up the washing process.

- All the main parts are manufactured in AISI-304 anti-corrosion stainless steel: tanks, washing and rinsing arms, rinsing jets, doors, basket conveyance system, boiler and metal tubes.
 - Upwards-opening double panel door.
 - Tank tray filters made of AISI-304 stainless steel, easy to access and remove for cleaning and access to the tank.
 - Safety filter for pump suction.
 - Rinsing boiler with heat insulation.
 - Easy access for installation. Electrovalve located on one side (no need to remove panels to connect the machine).
 - Electrical panel designed for easy connection of dosers for liquid and solid detergents, rinse aid, limit switches, supplementary emergency stop button.
 - Washing arms easily removable as a set, for cleaning, with a plug on each branch providing access for cleaning inside.
 - Rinse jets easily dismountable and removable.
 - System of electronic regulation of speeds by means of frequency shifter.
 - Configurable electronic temperature control:
 - Wash (50 - 65 °C)
 - Rinse (70 - 85 °C)
 - Guarantor of rinse at 85 °C.
 - Pressure regulator for flow control.
 - Emergency stop button incorporated.
 - Extra anti-entrapment protection system at the entrance, mounted on the AS-260 splash guard supplement (optional).
 - Open door blocking system.
 - IPX4 protection system.
 - System for detection of blockage of conveyor carriage and automatic reverse function.
 - Energy-saving system: reduces consumption by halting operation of the pumps, and by passing the heating of the rinse to stand-by mode (70 °C).
 - Auto-timer which deactivates the conveyor motor after a pre-set period of inactivity (10 minutes)."
 - "- The ECO version conveyor dishwashers are fitted with an external hot water generator, gas heated, model GWB-40 (*).
 - The generator replaces the electric rinse boiler in the dishwasher, bringing a significant saving in electricity consumption.
 - Given the heating power of the generator, the dishwasher can be installed in facilities with a cold water connection.
 - The dishwasher has a motor pump to send the water from the generator to the rinse jets."
 - AS-260 splash guard supplement.
 - Prewash module with 3 upper and 3 lower washing branches.
 - First wash with hot water.
 - High-power washing system with 5 upper and 5 lower washing branches.
 - Double-effect rinse and triple-effect pre-rinse in model 320.
 - 3 programs 170, 245 and 320 baskets/hour.
- Entry through the right part of the machine

DIMENSIONS



| | | | |
|------------|----------|----------------|----------|
| X Width | 3250 mm | X Gross width | 3350 mm |
| Y Depth | 860 mm | Y Gross depth | 960 mm |
| Z Height | 1700 mm | Z Gross height | 1900 mm |
| Net Weight | 556,0 kg | Gross Weight | 792,0 kg |
| Net volume | 4,752 m3 | Gross volume | 6,110 m3 |

ELECTRICITY TECHNICAL SPECIFICATIONS

| | |
|--------------------|-----------|
| Electric power | 29,300 kW |
| Voltage | 380-415V |
| Phases | 3N |
| Electric frequency | 50Hz |
| Amperage (A) | 52,9 |
| Engine power | 5,60 kW |
| Heating power | 23,00 kW |

WATER TECHNICAL SPECIFICATIONS

| | |
|-----------------------|---------------------------|
| Pressure | H2O: 200-400kPa(2-4bar) |
| Water max consumption | 240,00 L/h |
| Maximum Temperature | Water Inlet Max Temp:60°C |

COLD TECHNICAL SPECIFICATIONS

| | |
|-------------|----------|
| Noise level | 72,00 dB |
|-------------|----------|

CONNECTIONS TECHNICAL SPECIFICATIONS

| | |
|----------------------------|----------------|
| 230 V three-phase wiring | 3X95+T - 200 A |
| Three-phase +N 400V wiring | 4X16+T - 63 A |
| Drain 1 diameter | 38 |
| Drain 2 diameter | 38 |
| Drain 3 diameter | 38 |





Catalogue
FOOD SERVICE
Chapter
DISHWASHING

Specific model
CCO-320 R ECO 380-415V 3N 50Hz

19048633

12/06/2024

POSSIBLE OPTIONS :

- Electric transformation to 230V three-phase without neutral (230V 3 ~)
- Electric transformation to marine version (440V 3~ 60 Hz.)
- Gas water booster 50Hz
- Gas water booster 50Hz
- Drying tunnel 800 mm
- Anti-splash guard supplement (exit)

POSSIBLE ACCESSORIES :

- BASKETS
- BASKETS FOR DISHWASHERS
- BASKETS FOR GLASSES
- MODULAR ELEMENTS
- TABLES FOR RACK TYPE DISHWASH.
- GAS WATER BOOSTER

SUPPLIED ACCESSORIES:

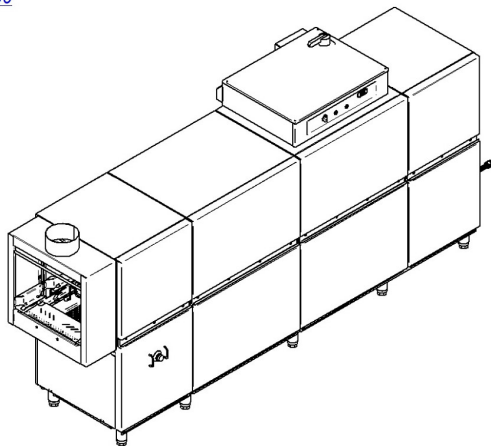
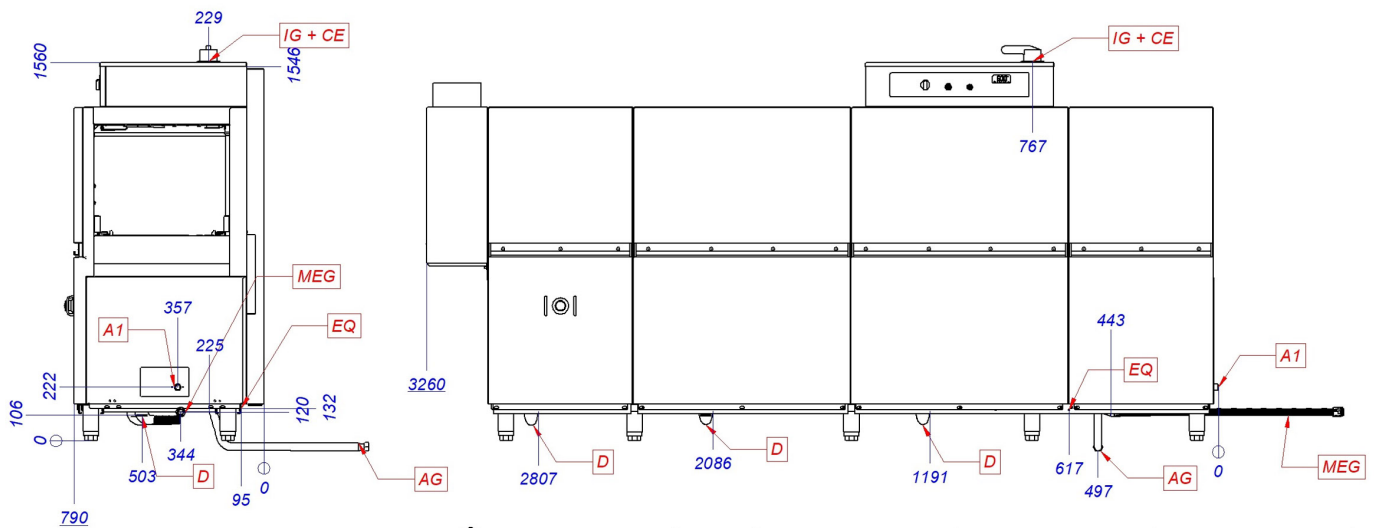
- 19000487 Basket for 16-18 plates, 500x500x110 mm. 2
- 19036306 Standard basket with dense base 1

Catalogue
FOOD SERVICE
Chapter
DISHWASHING

Specific model
CCO-320 R ECO 380-415V 3N 50Hz

19048633

12/06/2024



| | | | |
|------------|-------------------------------|-----------------------------------|---|
| AG | Conexión hidráulica generador | Gas booster hydraulic connection | Connexion hydraulique de la chaudière à gaz |
| A1 | Válvula de llenado | Fill valve | Vanne de remplissage |
| CE | Alimentación eléctrica | Power supply | Connexion électrique |
| D | Desagüe | Drain | Vindage |
| EQ | Toma equipotencial | Equipotential bonding terminal | Connexion Équipotentielle |
| IG | Interruptor general | General switch | Interrupteur général |
| MEG | Conexión eléctrica generador | Gas booster electrical connection | Connexion électrique de la chaudière à gaz |