



Catalogue
FOOD SERVICE
Chapter
COOKING

Specific model
SBG-150 M 50/60Hz 220-230V 3N

19072688

22/11/2021

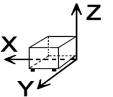
DENOMINATION:

Motorised tilting bratt pans directly heated with gas 150 L

DESCRIPTION :

- "- Cooking chamber walls made from AISI 304 stainless steel.
- Bottom made from 10 mm thick AISI 304 stainless steel Option: 12 mm thick bottom made from composite (9 mm iron + 3 mm steel).
- Cooking chamber with non-stick finish and ceramic microspheres.
- Water can be added into the chamber using a single hole tap.
- 10/10 thick AISI 304 stainless steel lid, with chrome plated rack and preloaded spring and stainless steel handle.
- 20/10 thick stainless steel supporting structure, mounted on adjustable steel feet for levelling.
- 10/10 thick satin-finished AISI 304 stainless steel external walls.
- 20/10 thick satin-finished AISI 304 stainless steel shelf.
- Automatic motorised tilting - Includes a manual tilting system in the event of a fault.
- Automatic shutdown in the event of system failure."
- "- Manual Piezoelectric ignition and pilot flame.
- Heating via tube and high performance AISI 304 stainless steel burners.
- Smoke extraction grille.
- Set of nozzles for different types of gas.
- Safety thermostat
- Tap with safety valve and thermocouple.
- Temperature regulated between 100 °C and 300 °C."

DIMENSIONS



X Width	1200 mm	X Gross width	1230 mm
Y Depth	900 mm	Y Gross depth	990 mm
Z Height	850 mm	Z Gross height	1110 mm
Net Weight	215,0 kg	Gross Weight	255,0 kg
Net volume	1,026 m3	Gross volume	1,352 m3



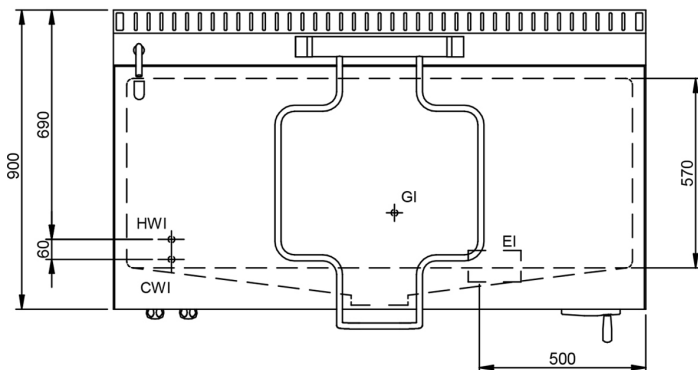
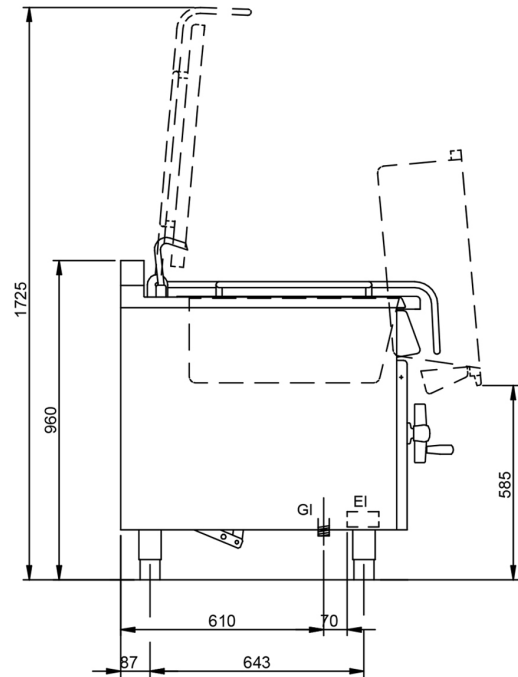
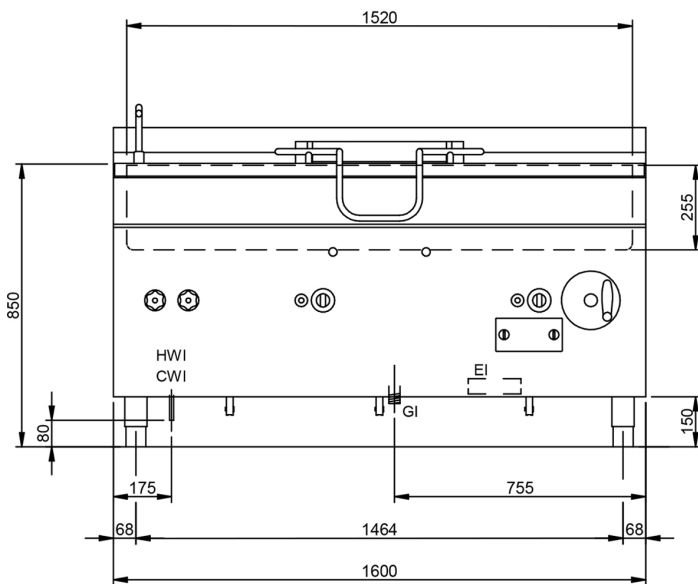
Catalogue
FOOD SERVICE

Capitolo
COOKING

Modelo
SBG-150 M 50/60Hz 220-230V 3N

19072688

22/11/2021



ALLACCIAMENTI - BRANCHEMENTS - CONNECTIONS

HWI -	ACQUA CALDA EAU CHAUDE HOT WATER	100 - 250 kPa (1 - 2,5 bar)	1/2" F
CWI -	ACQUA FREDDA EAU FROIDE COLD WATER	100 - 250 kPa (1 - 2,5 bar)	1/2" F
GI -	ARRIVO GAS ARRIVEE DU GAZ GAS INLET	44 kW	1" M
EI -	CAVO ELETTRICO CABLE ELECTRIQUE ELECTRIC CABLE	220-240V 1N 50-60Hz	0,1kW