



Catalogue
FOOD SERVICE
Chapter
DISHWASHING

Specific model
AD-125 SOFT 380-415V 3N 50Hz

19075295

11/06/2024

DENOMINATION:

Hood-type dishwasher with digital control and built-in descaling unit

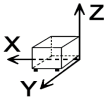
DESCRIPTION :

- Hood-Type dishwashers - EVO Generation
- Constructed in stainless steel.
- Counterbalanced hood with handle and spring system.
- Double rotating wash and rinse system, top and bottom, in stainless steel.
- 440 mm hood opening (Accepts GN 1/1 trays).
- 750 W wash pump providing high water flow.
- Rounded tank to facilitate washing and drainage.
- Stainless steel armoured heating elements in the wash tank and rinse boiler.
- Multi-voltage: Allows the machine to be connected to a single-phase or three-phase voltage network. (230 1N~/230 3~/400V 3N~).- AISI-304 stainless steel filter trays in the wash tank.
- Thermostatic control of temperatures (wash, 60°C, and rinse, 85°C).
- Thermal stop system which guarantees a rinse temperature of 85°C.
- Safety stop switch in hood opening.
- Safety thermostat.
- Water consumption per 2.4 litre cycle.
- Model for 500 x 500 mm baskets.
- Model with electronic and digital control.
- Digital display with information on programs, times and temperatures.
- Electronic programmer with help system for technical service.
- Rinse pump which guarantees a perfect hygiene result with complete linear rinse cycle at 85°C. (EFFIRINSE) de acuerdo con las especificaciones de seguridad e higiene de la norma DIN10512.
- 55s, 75s, 120s, 480s and 'Glass' wash cycles.
- 'Glass' wash program for glassware, complying with the safety and hygiene specifications of regulation DIN10511.
- Theoretical maximum production of 65 baskets/hour (1170 plates/h).
- Program for tank emptying cycle.
- Double-walled Hood with special compressed insulating material.
- Tank with volume of 28 litres, with 2.1 kW heating element.
- Boiler with volume of 9 litres, with 9 kW heating element.
- Simultaneous tank and boiler heating.
- Maximum Total power: 11.85 kW (simultaneous).
- Drainage pump - power 70 W - tank emptying program.
- Rinse aid doser incorporated.
- Rinse aid doser incorporated.- Air Brake check valve system type AA according to EN 1717/WRAS.
- IPX5 anti-humidity protection.
- 55s, 75s, 120s and 480s wash cycles.
- Double-walled Hood with special compressed insulating material.
- Rinse pump - 150 W
- Built-in drain pump - power 95 W - drainage cycle
- Built-in detergent doser.
- Built-in descaling unit and timer for regeneration cycle

POSSIBLE OPTIONS :

- Electric connection for ships 440V
- Electric transformation to marine version (440V 3~ 60 Hz.)

DIMENSIONS



X Width	630 mm	X Gross width	765 mm
Y Depth	750 mm	Y Gross depth	905 mm
Z Height	1465 mm	Z Gross height	1610 mm
Net Weight	171,0 kg	Gross Weight	191,0 kg
Net volume	0,766 m3	Gross volume	1,115 m3

ELECTRICITY TECHNICAL SPECIFICATIONS

Engine power	0,75 kW
Electric power	11,850 kW
Amperage (A)	19,3
Heating power	9,00 kW
Voltage	380-415V - 3N
Electric frequency	50Hz

MULTIPOWER

CONNECTION	RATED POWER (kW)	RATED CURRENT (A)	BOILER (kW)	TANK (kW)	
230V, 1N~	6,2 kW	27,4 A	4,5 kW	1 kW	SIM
230V, 1N~	8,15 kW	35,4 A	6 kW	1,4 kW	SIM
400V, 3N~	11,85 kW	19,3 A	9 kW	2,1 kW	SIM
230V, 3~	11,85 kW	31,1 A	9 kW	2,1 kW	SIM

WATER TECHNICAL SPECIFICATIONS

Pressure	H2O: 100-400kPa (1-4bar)
Water max consumption	60,00 L/h
Maximum Temperature	Water Inlet Max Temp:60°C

CONNECTIONS TECHNICAL SPECIFICATIONS

230 V three-phase wiring	3X10+T - 63 A
Single-phase 230V wiring	2X16+T - 80 A
Three-phase +N 400V wiring	4X6+T - 40 A
Drain 1 diameter	2"

OTHERS

Noise level	72,00 dB
-------------	----------





Catalogue
FOOD SERVICE
Chapter
DISHWASHING

Specific model
AD-125 SOFT 380-415V 3N 50Hz

19075295

11/06/2024

POSSIBLE ACCESSORIES :

- TAPS
- BASKETS FOR DISHWASHERS
- BASKETS FOR GLASSES
- ENTRY-EXIT TABLES EVO
- TABLES FOR HOOD
- ENTRY-EXIT TABLES

SUPPLIED ACCESSORIES:

- 19000484 Glass basket, 500x500x110 mm. 1
- 19000487 Basket for 16-18 plates, 500x500x110 mm. 1
- 19000792 Cutlery basket for 15 pieces of cutlery, 105x105x130 mm. 2

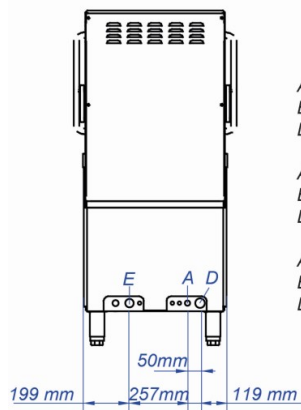
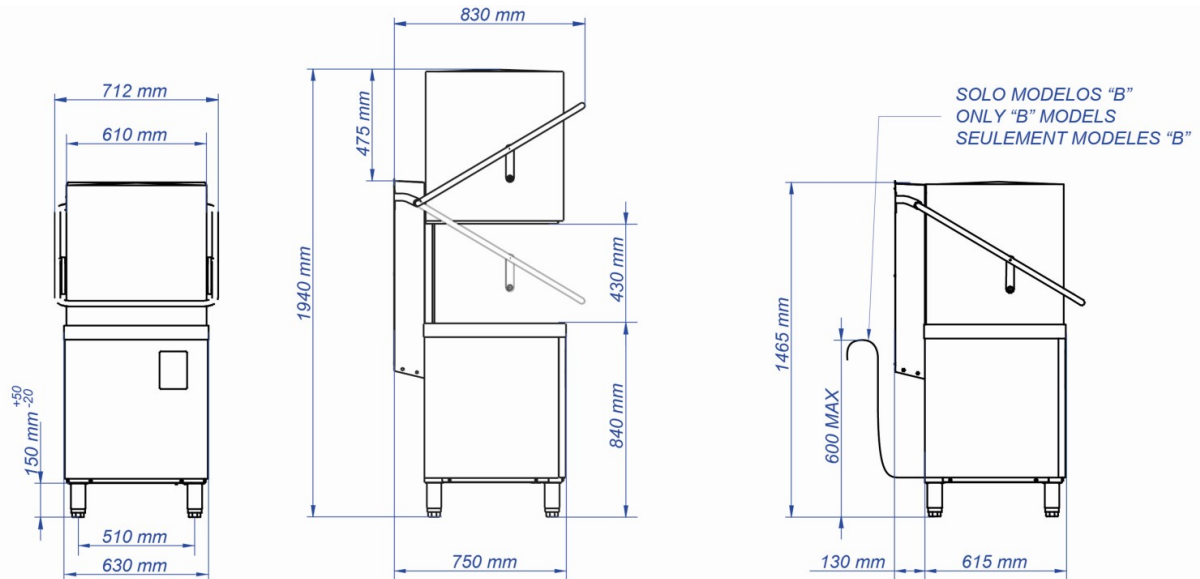


Catalogue
FOOD SERVICE
Chapter
DISHWASHING

Specific model
AD-125 SOFT 380-415V 3N 50Hz

19075295

11/06/2024



A: ENTRADA DE AGUA
E: ALIMENTACIÓN ELÉCTRICA
D: DESAGÜE

A: WATER INLET
E: ELECTRICAL CONNECTION
D: DRAIN

A: ARRIVÉE D'EAU
E: CONNEXION ÉLECTRIQUE
D: VIDANGE

