



Catalogue
FOOD SERVICE
Chapter
COOKING

Specific model
MRIV-200

19001424

18/11/2024

DENOMINATION:

Rectangular boiling pan indirectly heated steam 200 L

DESCRIPTION :

- Rectangular boiling pan with a cylindrical well. Can be assembled on its own or with other machines. Thanks to its rigidity and functionality, it is suitable for prolonged and continuous use.
- Cooking well with an AISI-316 stainless steel bottom with a thickness of between 20/10 and 40/10, and AISI-304 stainless steel walls with thicknesses of between 20/10 and 25/10.
- Tank drainage hole with a removable filter.
- Front drainage tap with insulated athermic handle.
- AISI-304 stainless steel cover with a thickness of 15/10, fitted with a chromed steel zip with preloading springs and an athermic handle.
- Gauge for controlling pressure inside the double wall.
- Manual air escape valve for depressurising the air produced in the double wall during the heating process.
- Stainless steel supporting structure with a thickness of 30/10 fitted on steel feet with an adjustable height.
- AISI-304 satin stainless steel external walls with a thickness of 10/10.
- AISI-304 stainless steel satin shelf with a thickness of 15/10.
- Normal version: spring and weight safety valve (depending on the capacity of the machine) set to 0.5 bar.

POSSIBLE ACCESSORIES :

- ACCESSORIES LARGE CAP.

DIMENSIONS



| | | | |
|------------|----------|----------------|----------|
| X Width | 1000 mm | X Gross width | 1030 mm |
| Y Depth | 1150 mm | Y Gross depth | 1230 mm |
| Z Height | 850 mm | Z Gross height | 1250 mm |
| Net Weight | 165,0 kg | Gross Weight | 205,0 kg |
| Net volume | 0,978 m3 | Gross volume | 1,584 m3 |

ELECTRICITY TECHNICAL SPECIFICATIONS

| | |
|---------|------|
| Voltage | 230V |
| Phases | 3N |

STEAM TECHNICAL SPECIFICATIONS

| | |
|-------------|----------|
| Steam power | 85,00 kW |
|-------------|----------|

CONNECTIONS TECHNICAL SPECIFICATIONS

| | |
|----------------------|---------|
| Water inlet diameter | R= 1/2" |
|----------------------|---------|

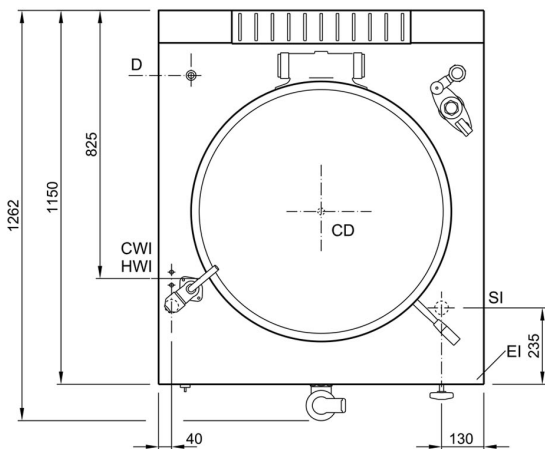
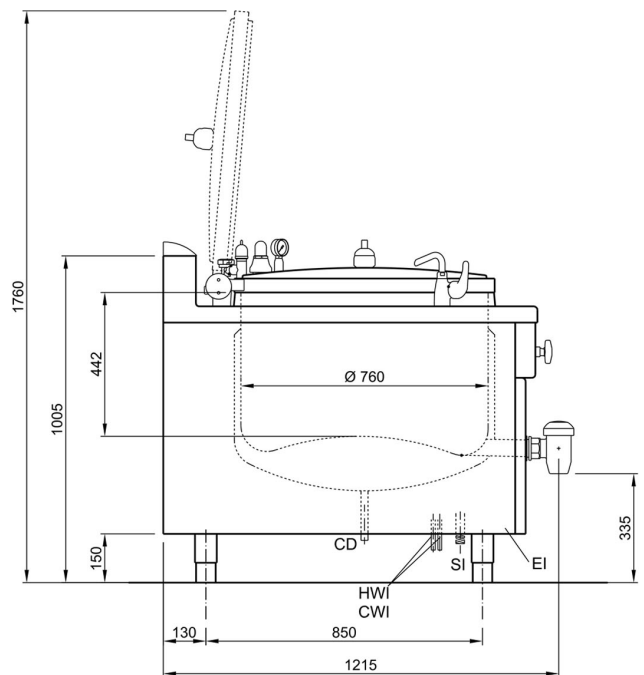
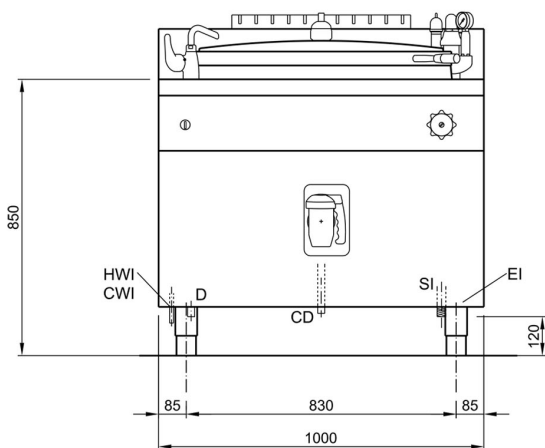


Catalogue
FOOD SERVICE
Chapter
COOKING

Specific model
MRIV-200

19001424

18/11/2024



ALLACCIAMENTI - BRANCHEMENTS - CONNECTIONS

| | | | |
|-------|--|-----------------------------|----------|
| HWI - | ACQUA CALDA HOT WATER | 100 - 250 kPa (1 - 2,5 bar) | 1/2" F |
| CWI - | ACQUA FREDDA COLD WATER | 100 - 250 kPa (1 - 2,5 bar) | 1/2" F |
| CD - | SCARICO CONDENSA CONDENSATE DRAIN | | 1/2" M |
| SI - | VAPORE 0,45 bar MAX STEAM 0,45 bar MAX | | 1-1/4" M |
| | CONSUMO VAPORE PER RAGGIUNGERE L'EBOLLIZIONE STEAM CONSUMPTION TO REACH BOILING TEMPERATURE | | 85 KG/H |
| | CONSUMO VAPORE PER MANTENERE L'EBOLLIZIONE STEAM CONSUMPTION TO KEEP UP BOILING | | 10 KG/H |
| EI - | CAVO ELETTRICO - SOLO CON OPTIONALS ELECTRIC CABLE - WITH OPTIONALS ONLY | 220-240V 1N 50-60Hz 0,10kW | |