



Catalogue
FOOD SERVICE
Chapter
COOKING

Specific model
MRIE-200 50-60 Hz 380-400V 3N

19001414

16/11/2021

DENOMINATION:

Rectangular boiling pan indirectly heated electric 200 L

DESCRIPTION :

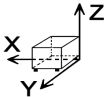
"- Rectangular boiling pan with a cylindrical well. Can be assembled on its own or with other machines. Thanks to its rigidity and functionality, it is suitable for prolonged and continuous use.

- Cooking well with an AISI-316 stainless steel bottom with a thickness of between 20/10 and 40/10, and AISI-304 stainless steel walls with thicknesses of between 20/10 and 25/10.
 - Tank drainage hole with a removable filter.
 - Front drainage tap with insulated athermic handle.
 - AISI-304 stainless steel cover with a thickness of 15/10, fitted with a chromed steel zip with preloading springs and an athermic handle.
 - Gauge for controlling pressure inside the double wall.
 - Manual air escape valve for depressurising the air produced in the double wall during the heating process.
 - Stainless steel supporting structure with a thickness of 30/10 fitted on steel feet with an adjustable height.
 - AISI-304 satin stainless steel external walls with a thickness of 10/10.
 - AISI-304 stainless steel satin shelf with a thickness of 15/10."
- "- Indirect heating equipment: pressure control in the double wall through a safety valve set to 0.5 bar, a manual depression valve and a gauge."

POSSIBLE ACCESSORIES :

- ACCESSORIES LARGE CAP.

DIMENSIONS



X Width	1000 mm	X Gross width	1030 mm
Y Depth	1150 mm	Y Gross depth	1230 mm
Z Height	850 mm	Z Gross height	1250 mm
Net Weight	175,0 kg	Gross Weight	215,0 kg
Net volume	1,147 m ³	Gross volume	1,584 m ³

ELECTRICITY TECHNICAL SPECIFICATIONS

Electric power	24,000 kW
Voltage	400V - 3N
Electric frequency	50Hz

CONNECTIONS TECHNICAL SPECIFICATIONS

230 V three-phase wiring	CONSULTAR
Single-phase 230V wiring	NO
Three-phase +N 400V wiring	5 X 10 MM ² (30 A)
Water inlet diameter	R= 1/2"



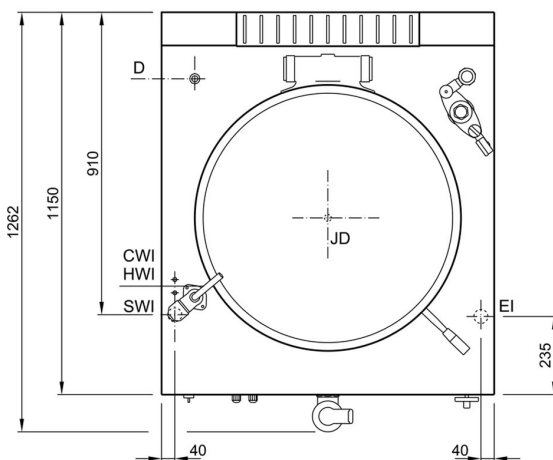
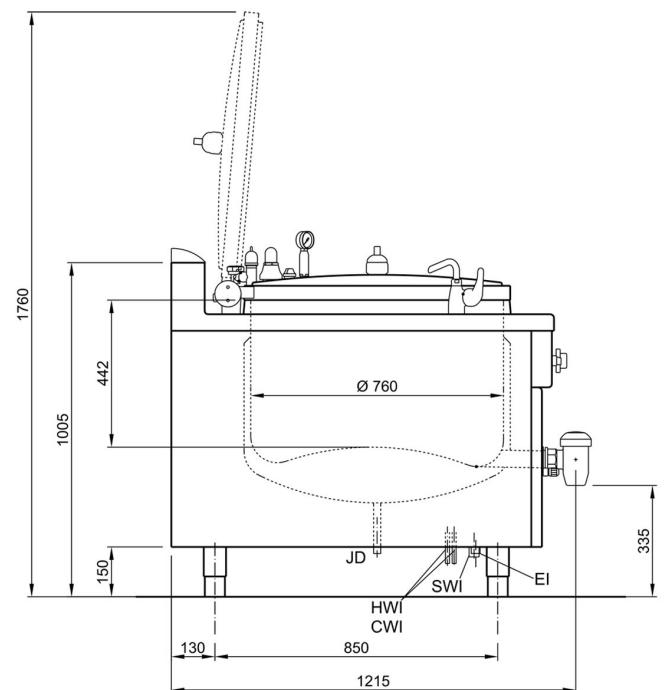
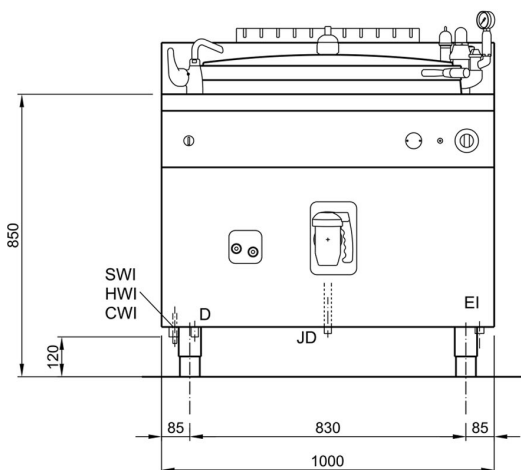
Catalogue
FOOD SERVICE

Capítulo
COOKING

Modelo
MRIE-200 50-60 Hz 380-400V 3N

19001414

16/11/2021



ALLACCIAMENTI - BRANCHEMENTS - CONNECTIONS

HWI -	ACQUA CALDA EAU CHAUDE HOT WATER	100 - 250 kPa (1 - 2,5 bar)	1/2" F
CWI -	ACQUA FREDDA EAU FROIDE COLD WATER	100 - 250 kPa (1 - 2,5 bar)	1/2" F
SWI -	ACQUA ADDOLCITA - OPZIONALE EAU DEMINERALISE - OPTIONAL SOFTENED WATER - OPTIONAL	100 - 250 kPa (1 - 2,5 bar)	3/4" M
JD -	SCARICO INTERCAPEDINE VIDANGE CHEMISE JACKET DRAIN		1/2" M
EI -	CAVO ELETTRICO CABLE ELECTRIQUE ELECTRIC CABLE	STANDARD - 380-415V 3N 50-60Hz 24kW OPTIONAL - 380-415V 3 50-60Hz 24kW OPTIONAL - 220-240V 3 50-60Hz 24kW	