



**Catalogue**  
FOOD SERVICE  
**Chapter**  
COOKING

**Specific model**  
MRIV-300 A

19001425

16/11/2021

**DENOMINATION:**

Rectangular boiling pan indirectly pressure heated steam 300 L

**DESCRIPTION :**

"- Rectangular boiling pan with a cylindrical well. Can be assembled on its own or with other machines. Thanks to its rigidity and functionality, it is suitable for prolonged and continuous use.

- Cooking well with an AISI-316 stainless steel bottom with a thickness of between 20/10 and 40/10, and AISI-304 stainless steel walls with thicknesses of between 20/10 and 25/10.
  - Tank drainage hole with a removable filter.
  - Front drainage tap with insulated athermic handle.
  - AISI-304 stainless steel cover with a thickness of 15/10, fitted with a chromed steel zip with preloading springs and an athermic handle.
  - Gauge for controlling pressure inside the double wall.
  - Manual air escape valve for depressurising the air produced in the double wall during the heating process.
  - Stainless steel supporting structure with a thickness of 30/10 fitted on steel feet with an adjustable height.
  - AISI-304 satin stainless steel external walls with a thickness of 10/10.
  - AISI-304 stainless steel satin shelf with a thickness of 15/10."
- "- Heated by steam (from the user's connection) through a valve that allows steam to be added gradually into the liner."

**POSSIBLE ACCESSORIES :**

- ACCESSORIES LARGE CAP.

**DIMENSIONS**



X Width	1200 mm	X Gross width	1200 mm
Y Depth	1270 mm	Y Gross depth	1340 mm
Z Height	900 mm	Z Gross height	1300 mm
Net Weight	225,0 kg	Gross Weight	295,0 kg
Net volume	1,295 m3	Gross volume	2,090 m3

**ELECTRICITY TECHNICAL SPECIFICATIONS**

Voltage 230V - 1N

**STEAM TECHNICAL SPECIFICATIONS**

Steam power 100,00 kW

**CONNECTIONS TECHNICAL SPECIFICATIONS**

Water inlet diameter R= 1/2"



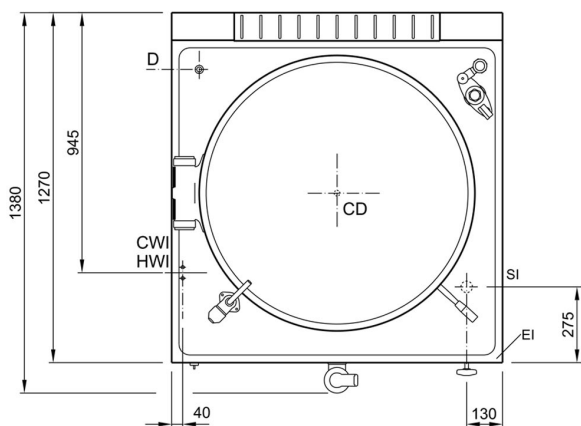
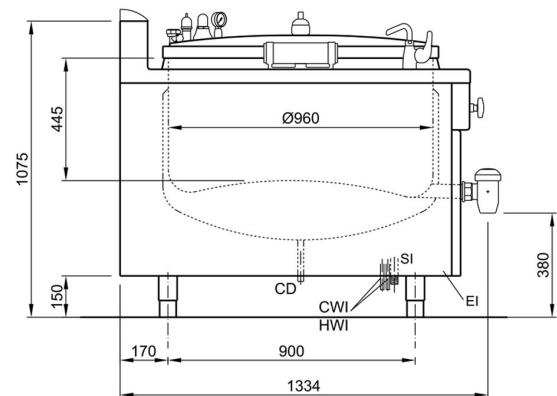
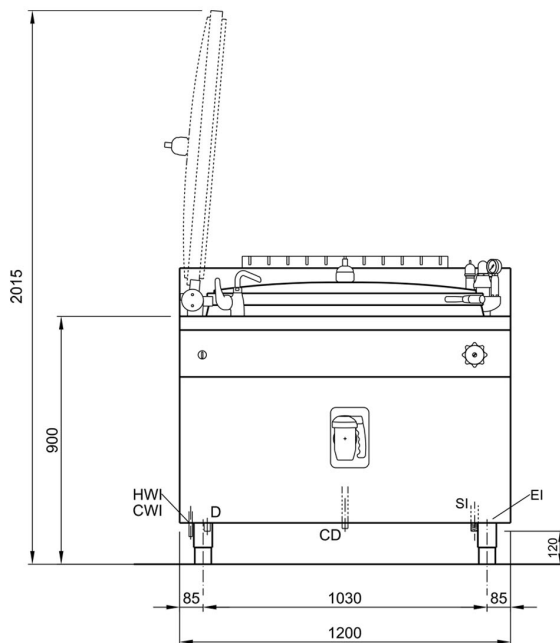
Catalogue  
**FOOD SERVICE**

Capitolo  
**COOKING**

Modelo  
**MRIV-300 A**

19001425

16/11/2021



**ALLACCIAMENTI - BRANCHEMENTS - CONNECTIONS**

HWI -	ACQUA CALDA HOT WATER	100 - 250 kPa (1 - 2,5 bar)	1/2" F
CWI -	ACQUA FREDDA COLD WATER	100 - 250 kPa (1 - 2,5 bar)	1/2" F
CD -	SCARICO CONDENSA CONDENSATE DRAIN		1/2" M
SI -	VAPORE 0,45 bar MAX STEAM 0,45 bar MAX		1-1/4" M
	CONSUMO VAPORE PER RAGGIUNGERE L'EBOLLIZIONE STEAM CONSUMPTION TO REACH BOILING TEMPERATURE		100 KG/H
	CONSUMO VAPORE PER MANTENERE L'EBOLLIZIONE STEAM CONSUMPTION TO KEEP UP BOILING		12 KG/H
EI -	CAVO ELETTRICO - SOLO CON OPTIONALS ELECTRIC CABLE - WITH OPTIONALS ONLY	220-240V 1N 50-60Hz	0,10kW