



**Catalogue**  
FOOD SERVICE  
**Chapter**  
COOKING

**Specific model**  
MRIE-300 50-60 Hz 380-400V 3N

19003082

16/11/2021

**DENOMINATION:**

Rectangular boiling pan indirectly heated electric 300 L

**DESCRIPTION :**

"- Rectangular boiling pan with a cylindrical well. Can be assembled on its own or with other machines. Thanks to its rigidity and functionality, it is suitable for prolonged and continuous use.

- Cooking well with an AISI-316 stainless steel bottom with a thickness of between 20/10 and 40/10, and AISI-304 stainless steel walls with thicknesses of between 20/10 and 25/10.
  - Tank drainage hole with a removable filter.
  - Front drainage tap with insulated athermic handle.
  - AISI-304 stainless steel cover with a thickness of 15/10, fitted with a chromed steel zip with preloading springs and an athermic handle.
  - Gauge for controlling pressure inside the double wall.
  - Manual air escape valve for depressurising the air produced in the double wall during the heating process.
  - Stainless steel supporting structure with a thickness of 30/10 fitted on steel feet with an adjustable height.
  - AISI-304 satin stainless steel external walls with a thickness of 10/10.
  - AISI-304 stainless steel satin shelf with a thickness of 15/10."
- "- Indirect heating equipment: pressure control in the double wall through a safety valve set to 0.5 bar, a manual depression valve and a gauge."

**POSSIBLE ACCESSORIES :**

- ACCESSORIES LARGE CAP.

**DIMENSIONS**



|            |          |                |          |
|------------|----------|----------------|----------|
| X Width    | 1200 mm  | X Gross width  | 1200 mm  |
| Y Depth    | 1270 mm  | Y Gross depth  | 1340 mm  |
| Z Height   | 900 mm   | Z Gross height | 1300 mm  |
| Net Weight | 225,0 kg | Gross Weight   | 295,0 kg |
| Net volume | 1,295 m3 | Gross volume   | 2,090 m3 |

**ELECTRICITY TECHNICAL SPECIFICATIONS**

|                    |           |
|--------------------|-----------|
| Electric power     | 36,000 kW |
| Voltage            | 400V - 3N |
| Electric frequency | 50Hz      |

**CONNECTIONS TECHNICAL SPECIFICATIONS**

|                            |                   |
|----------------------------|-------------------|
| 230 V three-phase wiring   | CONSULTAR         |
| Single-phase 230V wiring   | NO                |
| Three-phase +N 400V wiring | 5 X 10 MM2 (30 A) |
| Water inlet diameter       | R= 1/2"           |



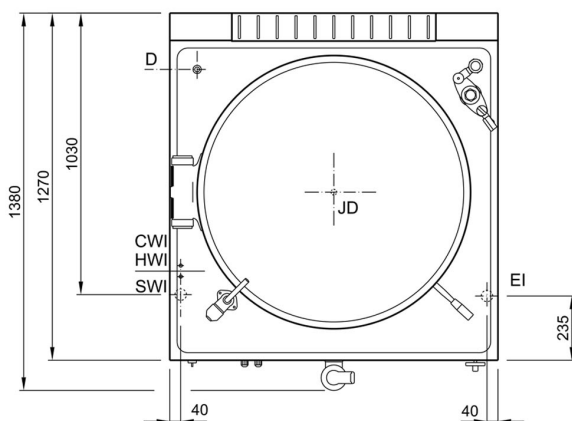
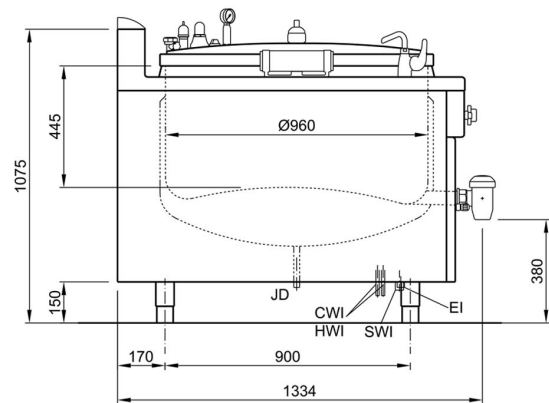
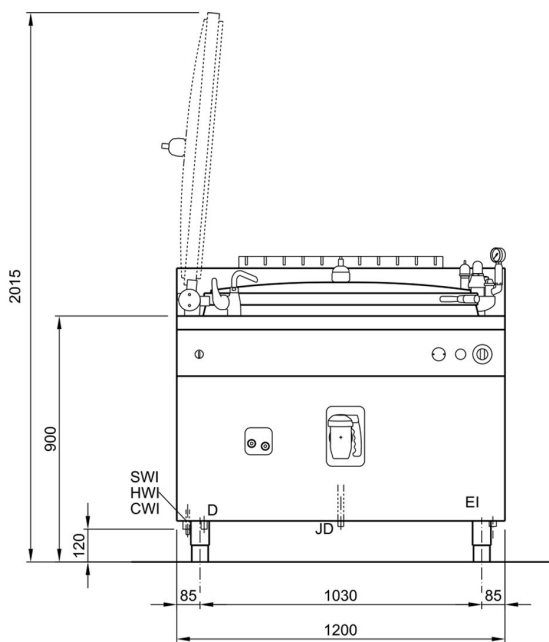
Catalogue  
**FOOD SERVICE**

Capitolo  
**COOKING**

Modelo  
**MRE-300 50-60 Hz 380-400V 3N**

19003082

16/11/2021



**ALLACCIAMENTI - BRANCHEMENTS - CONNECTIONS**

|       |   |  |                      |
|-------|---|--|----------------------|
| HWI - | ACQUA CALDA<br>EAU CHAUDE<br>HOT WATER  | 100 - 250 kPa (1 - 2,5 bar)  | 1/2" F               |
| CWI - | ACQUA FREDDA<br>EAU FROIDE<br>COLD WATER  | 100 - 250 kPa (1 - 2,5 bar)  | 1/2" F               |
| SWI - | ACQUA ADDOLCITA - OPZIONALE<br>EAU DEMINERALISE - OPTIONAL<br>SOFTENED WATER - OPTIONAL | 100 - 250 kPa (1 - 2,5 bar)  | 3/4" M               |
| JD -  | SCARICO INTERCAPEDINE<br>VIDANGE CHEMISE<br>JACKET DRAIN                                |  | 1/2" M               |
| EI -  | CAVO ELETTRICO<br>CABLE ELECTRIQUE<br>ELECTRIC CABLE                                    | STANDARD - 380-415V 3N 50-60Hz<br>OPTIONAL - 380-415V 3 50-60Hz<br>OPTIONAL - 220-240V 3 50-60Hz | 36kW<br>36kW<br>36kW |