



**Catalogue**  
FOOD SERVICE  
**Chapter**  
COOKING

**Specific model**  
MRIG-300 LPG 50-60 Hz 220-230V 3N

19001421

16/11/2021

**DENOMINATION:**

Rectangular boiling pan indirectly heated with gas 300 L

**DESCRIPTION :**

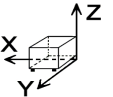
"- Rectangular boiling pan with a cylindrical well. Can be assembled on its own or with other machines. Thanks to its rigidity and functionality, it is suitable for prolonged and continuous use.

- Cooking well with an AISI-316 stainless steel bottom with a thickness of between 20/10 and 40/10, and AISI-304 stainless steel walls with thicknesses of between 20/10 and 25/10.
  - Tank drainage hole with a removable filter.
  - Front drainage tap with insulated athermic handle.
  - AISI-304 stainless steel cover with a thickness of 15/10, fitted with a chromed steel zip with preloading springs and an athermic handle.
  - Gauge for controlling pressure inside the double wall.
  - Manual air escape valve for depressurising the air produced in the double wall during the heating process.
  - Stainless steel supporting structure with a thickness of 30/10 fitted on steel feet with an adjustable height.
  - AISI-304 satin stainless steel external walls with a thickness of 10/10.
  - AISI-304 stainless steel satin shelf with a thickness of 15/10."
- "- Indirect heating equipment: pressure control in the double wall through a safety valve set to 0.5 bar, a manual depression valve and a gauge."

**POSSIBLE ACCESSORIES :**

- ACCESSORIES LARGE CAP.

**DIMENSIONS**



X Width	1200 mm	X Gross width	1200 mm
Y Depth	1270 mm	Y Gross depth	1340 mm
Z Height	900 mm	Z Gross height	1300 mm
Net Weight	260,0 kg	Gross Weight	300,0 kg
Net volume	1,295 m3	Gross volume	2,090 m3

**ELECTRICITY TECHNICAL SPECIFICATIONS**

Voltage	230V - 1N
Electric frequency	50Hz

**GAS TECHNICAL SPECIFICATIONS**

Gas type	LPG
Gas power	48,00 kW
Gas consumption	3,250 kg/h

**CONNECTIONS TECHNICAL SPECIFICATIONS**

Gas diameter 1	R 3/4"
----------------	--------





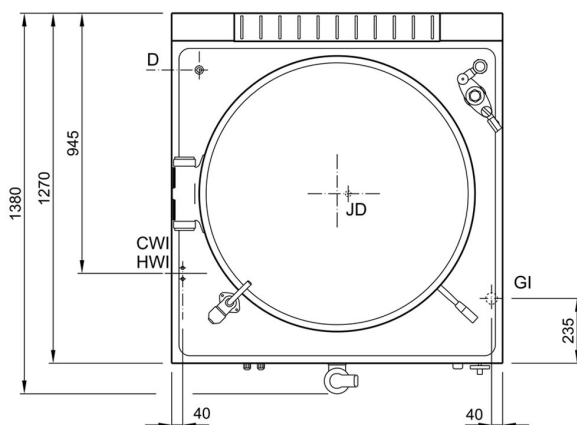
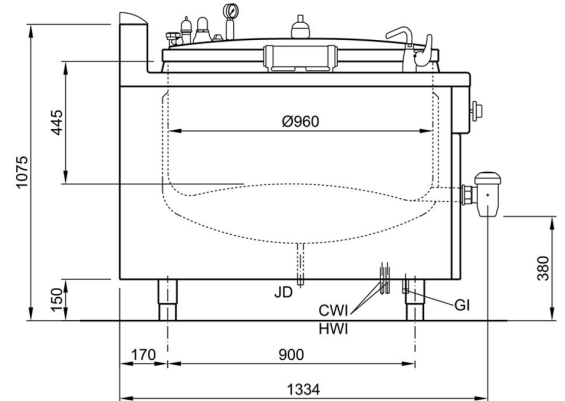
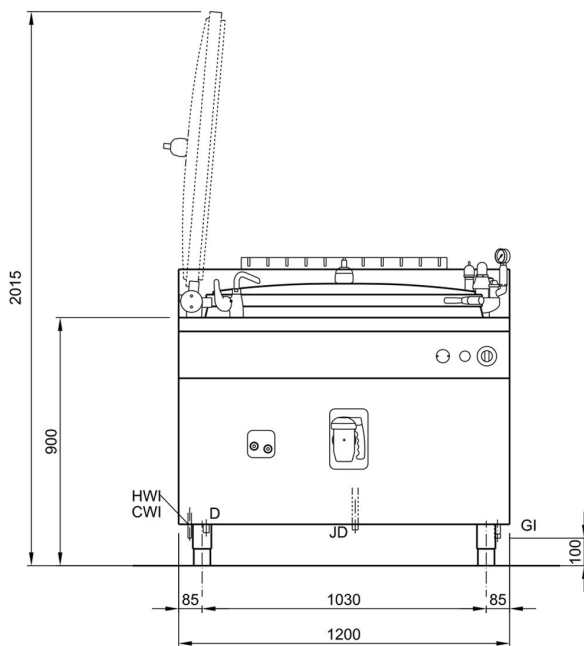
Catalogue  
**FOOD SERVICE**

Capitolo  
**COOKING**

Modelo  
**MRIG-300 LPG 50-60 Hz 220-230V 3N**

19001421

16/11/2021



**ALLACCIAMENTI - BRANCHEMENTS - CONNECTIONS**

HWI -	ACQUA CALDA EAU CHAUDE HOT WATER	100 - 250 kPa (1 - 2,5 bar)	1/2" F
CWI -	ACQUA FREDDA EAU FROIDE COLD WATER	100 - 250 kPa (1 - 2,5 bar)	1/2" F
JD -	SCARICO INTERCAPEDINE VIDANGE CHEMISE JACKET DRAIN		1/2" M
GI -	ARRIVO GAS ENTREE GAZ GAS INLET	48 KW	1/2" ISO 7/1 R1