



Catalogue
FOOD SERVICE
Chapter
COOKING

Specific model
MRG-300 LPG 50-60 Hz 220-230V 3N

19001273

16/11/2021

DENOMINATION:

Rectangular boiling pan directly heated with gas 300 L

DESCRIPTION :

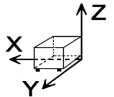
"- Rectangular boiling pan with a cylindrical well. Can be assembled on its own or with other machines. Thanks to its rigidity and functionality, it is suitable for prolonged and continuous use.

- Cooking well with an AISI-316 stainless steel bottom with a thickness of between 20/10 and 40/10, and AISI-304 stainless steel walls with thicknesses of between 20/10 and 25/10.
- Tank drainage hole with a removable filter.
- Front drainage tap with insulated athermic handle.
- AISI-304 stainless steel cover with a thickness of 15/10, fitted with a chromed steel zip with preloading springs and an athermic handle.
- Gauge for controlling pressure inside the double wall.
- Manual air escape valve for depressurising the air produced in the double wall during the heating process.
- Stainless steel supporting structure with a thickness of 30/10 fitted on steel feet with an adjustable height.
- AISI-304 satin stainless steel external walls with a thickness of 10/10.
- AISI-304 stainless steel satin shelf with a thickness of 15/10."
- "- High-performance stainless-steel tubular burners.
- Manual piezoelectric ignition and pilot flame.
- Smoke extraction grille."

POSSIBLE ACCESSORIES :

- ACCESSORIES LARGE CAP.

DIMENSIONS



X Width	1200 mm	X Gross width	1250 mm
Y Depth	1270 mm	Y Gross depth	1340 mm
Z Height	900 mm	Z Gross height	1300 mm
Net Weight	225,0 kg	Gross Weight	275,0 kg
Net volume	1,295 m3	Gross volume	2,178 m3

ELECTRICITY TECHNICAL SPECIFICATIONS

Voltage	230V - 1N
Electric frequency	50Hz

GAS TECHNICAL SPECIFICATIONS

Gas type	LPG
Gas power	39,00 kW
Gas consumption	3,250 kg/h

CONNECTIONS TECHNICAL SPECIFICATIONS

Gas diameter 1	R 3/4"
Water inlet diameter	R=1/2"



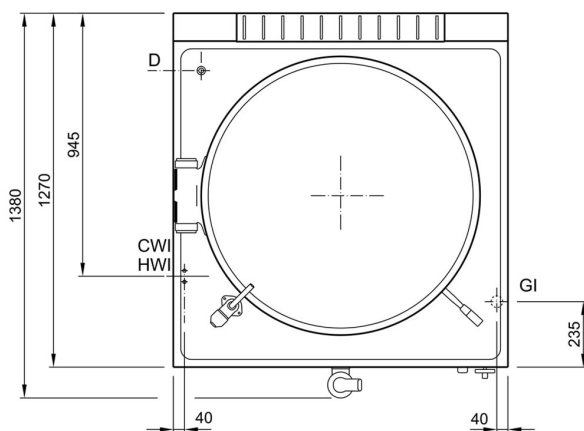
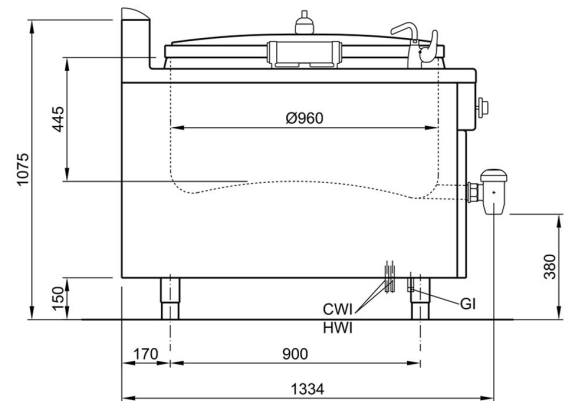
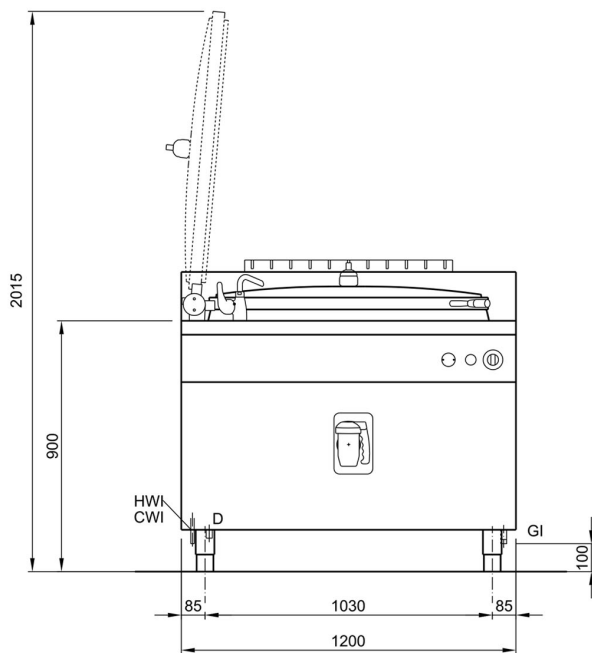
Catalogue
FOOD SERVICE

Capitolo
COOKING

Modelo
MRG-300 LPG 50-60 Hz 220-230V 3N

19001273

16/11/2021



ALLACCIAMENTI - BRANCHEMENTS - CONNECTIONS

HWI - ACQUA CALDA
EAU CHAUDE
HOT WATER
100 - 250 kPa (1 - 2,5 bar) 1/2" F

CWI - ACQUA FREDDA
EAU FROIDE
COLD WATER
100 - 250 kPa (1 - 2,5 bar) 1/2" F

GI - ARRIVO GAS
ENTREE GAZ
GAS INLET
39 KW 1/2" ISO 7/1 R1