



Catalogue
FOOD SERVICE
Chapter
COOKING

Specific model
MCBIV-200 50-60 Hz 380-400V 3N

19003073

16/11/2021

DENOMINATION:

Cylindrical tilting boiling pan indirectly heated steam 200 L

DESCRIPTION :

"- Automatic tilting boiling pan with lateral loading columns. The tilting of the well eases the transfer of solid foods. This is the quickest and easiest way of cooking high quantities.

- Cooking well with an AISI-316 stainless steel bottom with a thickness of between 20/10 and 40/10, and an AISI-304 stainless steel double wall with thicknesses of between 20/10 and 25/10.

- AISI-304 stainless steel cover with a thickness of 15/10, balance springs; an athermic handle and an insulated cover available upon request.

- Gauge for controlling pressure inside the double wall.

- Manual air escape valve for depressurising the air produced in the double wall during the heating process.

- Adjustable chromed bronze mixer with hot and cold water.

- Weight safety valve set to 0.5 bar.

- Stainless steel supporting structure with a thickness of 30/10 fitted on a frame.

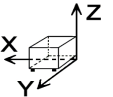
- Fine satin AISI-304 exterior. Thermal insulation guaranteed by high-density ceramic fibre panels."

"-Indirectly heated equipment: pressure control in the double wall through the safety valve set to 0.5 bar, manual depression valve and gauge."

POSSIBLE ACCESSORIES :

- ACCESSORIES LARGE CAP.

DIMENSIONS



X Width	1750 mm	X Gross width	1830 mm
Y Depth	1035 mm	Y Gross depth	1130 mm
Z Height	1050 mm	Z Gross height	1470 mm
Net Weight	390,0 kg	Gross Weight	450,0 kg
Net volume	1,837 m3	Gross volume	3,040 m3

ELECTRICITY TECHNICAL SPECIFICATIONS

Electric power	0,500 kW
Voltage	230V - 1N
Electric frequency	60Hz

STEAM TECHNICAL SPECIFICATIONS

Steam power	85,00 kW
Steam pressure	45,00 bar

CONNECTIONS TECHNICAL SPECIFICATIONS

Three-phase +N 400V wiring	5 X 2,5 MM2
----------------------------	-------------

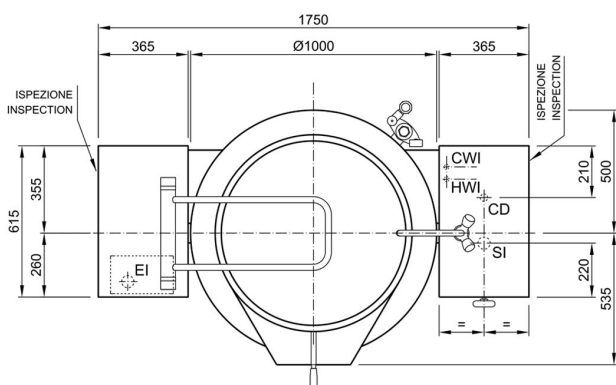
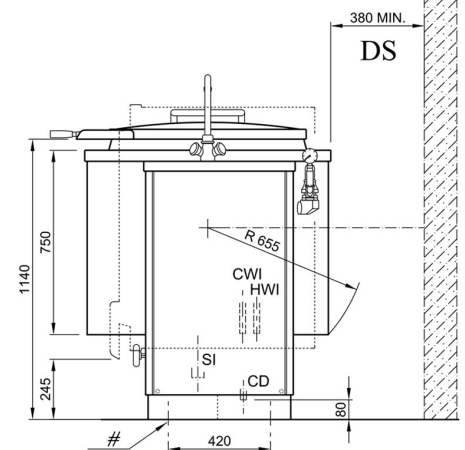
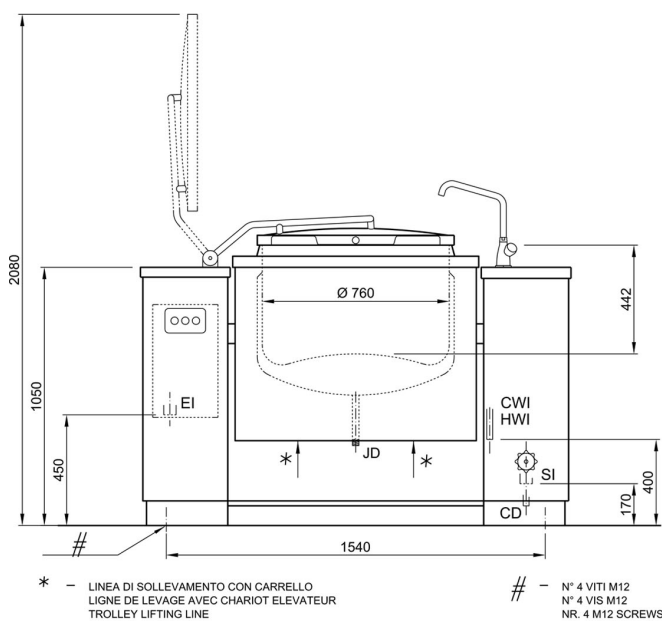
Catalogue
FOOD SERVICE

Capitolo
COOKING

Modelo
MCBIV-200 50-60 Hz 380-400V 3N

19003073

16/11/2021



ALLACCIAMENTI - CONNECTIONS

HWI - ACQUA CALDA HOT WATER	100 -250 kPa (1 - 2,5 bar)	1/2" F
CWI - ACQUA FREDDA COLD WATER	100 -250 kPa (1 - 2,5 bar)	1/2" F
CD - SCARICO CONDENSA CONDENSATE DRAIN		1/2" M
EI - ARRIVO CAVI ELETTRICI ELECTRIC CORD ENTRY	STANDARD 380-415V 3N 50-60HZ	0,37kW
	OPTIONAL 380-415V 3 50-60HZ	0,37kW
	OPTIONAL 220-240V 3 50-60HZ	0,37kW
	OPTIONAL 220-240V 1 50-60HZ	0,37kW
SI - VAPORE STEAM	45 kPa (0,45 bar) MAX	1-1/4" F
CONSUMO VAPORE PER RAGGIUNGERE L'EBOLLIZIONE STEAM CONSUMPTION TO REACH BOILING TEMPERATURE		
		85 kg/h
CONSUMO VAPORE PER MANTENERE L'EBOLLIZIONE STEAM CONSUMPTION TO KEEP UP BOILING		
		10 kg/h
DS - DISTANZA DI SICUREZZA SAFETY CLEARANCE		