



**Catalogue**  
FOOD SERVICE  
**Chapter**  
COOKING

**Specific model**  
MCG-500 A LPG 50-60 Hz 220-230V 3N

19001446

16/11/2021

**DENOMINATION:**

Cylindrical boiling pan directly pressure heated gas 500 L

**DESCRIPTION :**

- Boiling pan with cylindrical structure and recipient, suitable for placement in transit areas with reduced dimensions where appliances with sharp edges and surfaces may cause ergonomic and movement problems, allowing it to be used comfortably from different angles.
- Well with AISI-316 stainless steel bottom with a thickness of between 20/10 and 40/10, suitable for products that are particularly acidic.
- AISI-304 stainless steel walls with a thickness of between 20/10 and 40/10.
- Double wall in indirect versions.
- AISI-304 stainless steel cover with a thickness of 15/10, balance springs and an athermic handle.
- Supporting structure in AISI-304 stainless steel.
- Satin AISI-304 exterior coating.
- Adjustable stainless-steel feet.
- Heat insulation guaranteed by high-density ceramic fibre plates.
- Tank drainage hole with a removable filter.
- Front drainage tap with an insulated athermic handle.
- Gauge for controlling pressure inside the double wall.
- Manual valve for emptying air in order to depressurise the chamber during heating.
- Water is added to the well through a tap with a moveable outlet.
- "- The pressure or autoclave versions allow the cooking cycles to speed up through the day. They are fitted with a silicone rubber airtight joint and clamps to hermetically close it and a safety valve set to 0.05 bar."

**POSSIBLE ACCESSORIES :**

- ACCESSORIES LARGE CAP.

**DIMENSIONS**



X Width	1390 mm	X Gross width	1490 mm
Y Depth	1479 mm	Y Gross depth	1490 mm
Z Height	1020 mm	Z Gross height	1410 mm
Net Weight	265,0 kg	Gross Weight	313,0 kg
Net volume	1,690 m3	Gross volume	3,130 m3

**ELECTRICITY TECHNICAL SPECIFICATIONS**

Voltage	230V - 1N
Electric frequency	50Hz

**GAS TECHNICAL SPECIFICATIONS**

Gas type	LPG
Gas power	55,00 kW
Gas consumption	4,620 kg/h

**CONNECTIONS TECHNICAL SPECIFICATIONS**

Gas diameter 1	R 3/4"
Water inlet diameter	R=1/2"



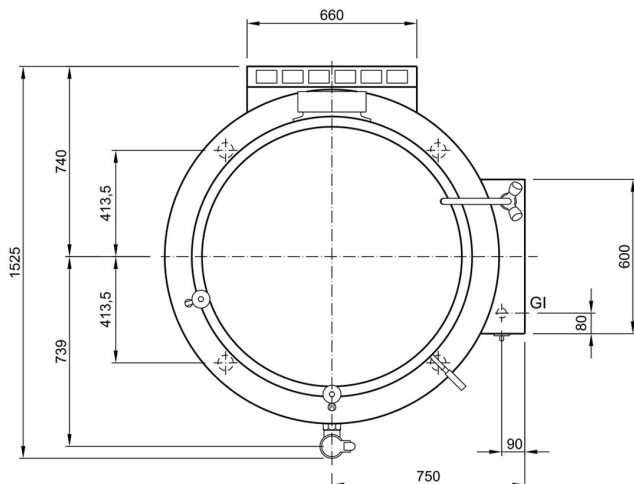
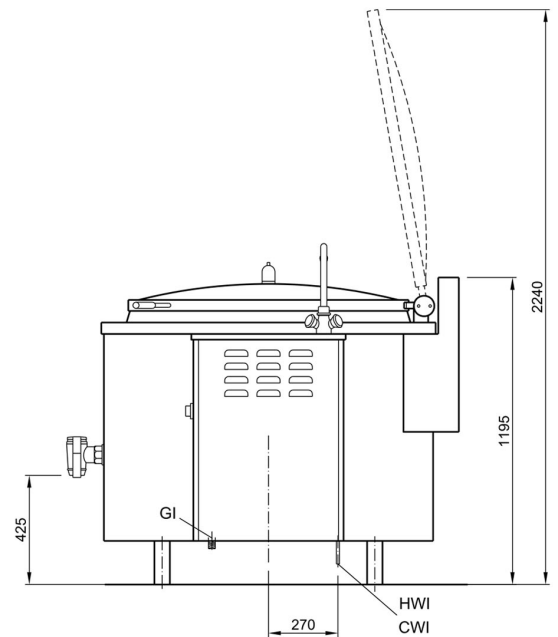
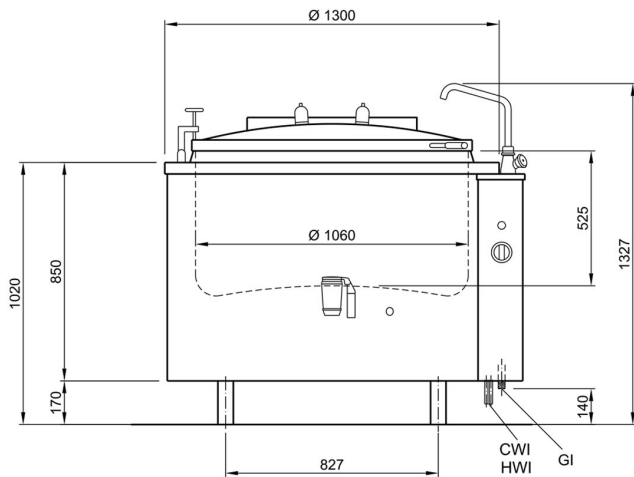
Catalogue  
**FOOD SERVICE**

Capitolo  
**COOKING**

Modelo  
**MCG-500 A LPG 50-60 Hz 220-230V 3N**

19001446

16/11/2021



**ALLACCIAMENTI - BRANCHEMENTS - CONNECTIONS - ANSCHLUSSE**

HWI - ACQUA CALDA  
EAU CHAUDE  
HOT WATER  
100 - 250 kPa (1 - 2,5 bar) 1/2" F

CWI - ACQUA FREDDA  
EAU FROIDE  
COLD WATER  
100 - 250 kPa (1 - 2,5 bar) 1/2" F

GI - ARRIVO GAS  
ENTREE GAZ  
GAS INLET  
55 KW 1/2" ISO 7/1 R1