



**Catalogue**  
FOOD SERVICE  
**Chapter**  
COOKING

**Specific model**  
M-G710 BM NG 230V 1N 60Hz

19074810

04/09/2023

**DENOMINATION:**

Indirect heating boiling pans with bain marie system, NG gas 60 Hz, 80 L capacity, 700 range.

**DESCRIPTION :**

- Surface tops manufactured in 1.5 mm thick AISI-304 stainless steel.
- Laser-cut joints, automatic welding and polishing. Hidden screws.
- Lid with a front handle designed to prevent burns. Diagonal 70° opening.
- Drainage hole to redirect possible liquid spillages.
- 80-litre AISI-304 stainless-steel well built into the surface top using robotic welding, with a 2 mm-thick AISI 316L stainless steel well base.
- Well filled with cold or hot water through solenoid valves activated by a single switch located on the front panel.
- Well drainage through G1-1/2" UNI ISO 228 safety valve with athermic handle, safe and effortless.
- Filter for well drainage made of AISI-304 stainless-steel which is robust, reliable and easy to remove.
- Controls with a protective support base and system to prevent water infiltration.
- Indicator light to show when the machine is connected and when it is heating.
- IPX5 level protection."
- "- High-performance stainless-steel tubular burner with optimised combustion and sequential operation.
- Bain-marie chamber surrounding the well with an automatic filling system.
- Automatic control of the level of the chamber with three-way safety system: pressure switch to control pressure in the chamber, limiter thermostat to prevent overheating of the chamber and overpressure safety valve.
- Automatic clearing of the chamber.
- Heating at the base of the boiling pan acts on the water in the surrounding chamber so that the saturated steam produced at a temperature of 107 °C evenly heats the base and sides of the well.
- Burner is lit by spark ignition."

**POSSIBLE OPTIONS :**

- 230 1N- Transformation A 230 V single phase
- 230 III - A 230 V three-phase transformation without neutral
- Marine Transformation for boat - Tilting and boiling pans

**POSSIBLE ACCESSORIES :**

- KORE WHEELS
- TALL CHIMNEY KORE

**DIMENSIONS**



|            |          |                |          |
|------------|----------|----------------|----------|
| X Width    | 800 mm   | X Gross width  | 840 mm   |
| Y Depth    | 730 mm   | Y Gross depth  | 822 mm   |
| Z Height   | 850 mm   | Z Gross height | 1255 mm  |
| Net Weight | 88,0 kg  | Gross Weight   | 106,0 kg |
| Net volume | 0,500 m3 | Gross volume   | 0,867 m3 |

**ELECTRICITY TECHNICAL SPECIFICATIONS**

|                    |           |
|--------------------|-----------|
| Electric power     | 0,100 kW  |
| Amperage (A)       | 2A        |
| Voltage            | 230V - 1N |
| Electric frequency | 60Hz      |

**GAS TECHNICAL SPECIFICATIONS**

|                 |   |
|-----------------|---|
| Gas type        | NG  |
| Gas power       | 17,00 kW  |
| Gas consumption | 1,799 m3/h  |
| Regulated       | LPG G30/G31 28-30/37 mbar<br>NG G20/G25/G25.1 20/25/25 mbar |

**WATER TECHNICAL SPECIFICATIONS**

|                       |                         |
|-----------------------|-------------------------|
| Pressure              | H2O: 200-400kPa(2-4bar) |
| Water max consumption | 0,00 L/h                |

**CONNECTIONS TECHNICAL SPECIFICATIONS**

|                  |       |
|------------------|-------|
| Gas diameter 1   | R3/4" |
| Drain 1 diameter | 1/2"  |



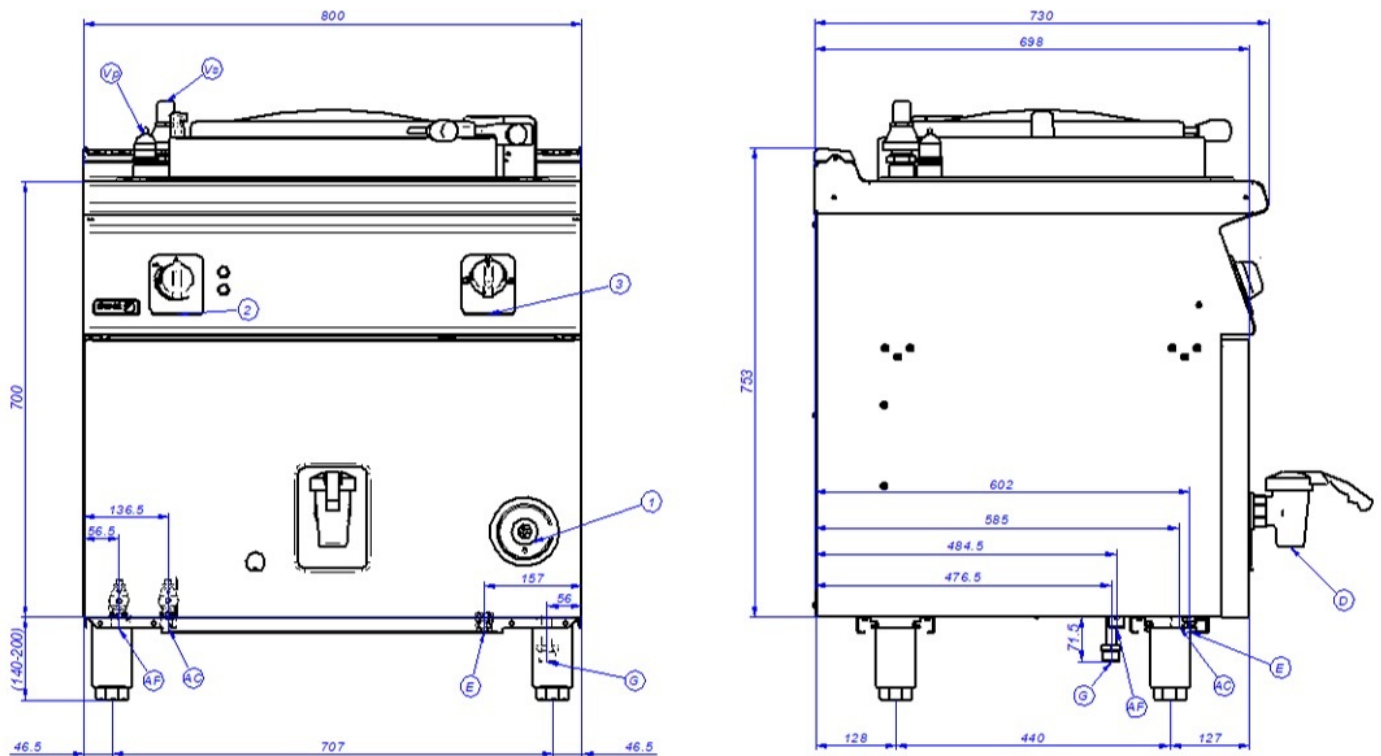
**Catalogue**  
FOOD SERVICE  
**Chapter**  
COOKING

**Specific model**  
M-G710 BM NG 230V 1N 60Hz

19074810

04/09/2023

### M-G710 BM



|    |                          |                     |                      |
|----|--------------------------|---------------------|----------------------|
| AF | Entrada de Agua Fría     | Cold water Inlet    | Entrée d'eau froide  |
| AC | Entrada de Agua Caliente | Hot water Inlet     | Entrée d'eau chaude  |
| E  | Conexión eléctrica       | Electric connection | Connexion électrique |
| D  | Desagüe                  | Drainage            | Vidange              |
| G  | Entrada de Gas           | Gas Inlet           | Entrée de gaz        |
| M  | Manómetro                | Manometer           | Manomètre            |
| Vs | Válvula de seguridad     | Safety valve        | Vanne de sécurité    |
| Vp | Válvula de presión       | Pressure Valve      | Vanne de pression    |
| 1  | Grifo válvula de gas     | Gas valve tap       | Robinet vanne gaz    |
| 2  | Regulador de energía     | Energy regulator    | Régulateur d'énergie |
| 3  | Conmutador de agua       | Water switch        | Interrupteur d'eau   |