



Catalogue
FOOD SERVICE
Chapter
COOKING

Specific model
M-G710 BM LPG 230V 1N 60Hz

19074809

04/09/2023

DENOMINATION:

Indirect heating boiling pans with bain marie system, NG gas 50 Hz, 80 L capacity, 700 range.

DESCRIPTION :

- Surface tops manufactured in 1.5 mm thick AISI-304 stainless steel.
- Laser-cut joints, automatic welding and polishing. Hidden screws.
- Lid with a front handle designed to prevent burns. Diagonal 70° opening.
- Drainage hole to redirect possible liquid spillages.
- 80-litre AISI-304 stainless-steel well built into the surface top using robotic welding, with a 2 mm-thick AISI 316L stainless steel well base.
- Well filled with cold or hot water through solenoid valves activated by a single switch located on the front panel.
- Well drainage through G1-1/2" UNI ISO 228 safety valve with athermic handle, safe and effortless.
- Filter for well drainage made of AISI-304 stainless-steel which is robust, reliable and easy to remove.
- Controls with a protective support base and system to prevent water infiltration.
- Indicator light to show when the machine is connected and when it is heating.
- IPX5 level protection."
- "- High-performance stainless-steel tubular burner with optimised combustion and sequential operation.
- Bain-marie chamber surrounding the well with an automatic filling system.
- Automatic control of the level of the chamber with three-way safety system: pressure switch to control pressure in the chamber, limiter thermostat to prevent overheating of the chamber and overpressure safety valve.
- Automatic clearing of the chamber.
- Heating at the base of the boiling pan acts on the water in the surrounding chamber so that the saturated steam produced at a temperature of 107 °C evenly heats the base and sides of the well.
- Burner is lit by spark ignition."

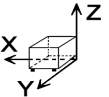
POSSIBLE OPTIONS :

- 230 1N- Transformation A 230 V single phase
- 230 III - A 230 V three-phase transformation without neutral
- Marine Transformation for boat - Tilting and boiling pans

POSSIBLE ACCESSORIES :

- KORE WHEELS
- TALL CHIMNEY KORE

DIMENSIONS



X Width	800 mm	X Gross width	840 mm
Y Depth	730 mm	Y Gross depth	822 mm
Z Height	850 mm	Z Gross height	1255 mm
Net Weight	88,0 kg	Gross Weight	106,0 kg
Net volume	0,500 m3	Gross volume	0,867 m3

ELECTRICITY TECHNICAL SPECIFICATIONS

Electric power	0,100 kW
Amperage (A)	2A
Voltage	230V - 1N
Electric frequency	60Hz

GAS TECHNICAL SPECIFICATIONS

Gas type	LPG
Gas power	17,00 kW
Gas consumption	1,340 kg/h
Regulated	LPG G30/G31 28-30/37 mbar NG G20/G25/G25.1 20/25/25 mbar

WATER TECHNICAL SPECIFICATIONS

Pressure	H2O: 200-400kPa(2-4bar)
Water max consumption	0,00 L/h

CONNECTIONS TECHNICAL SPECIFICATIONS

Gas diameter 1	R3/4"
Drain 1 diameter	1/2"





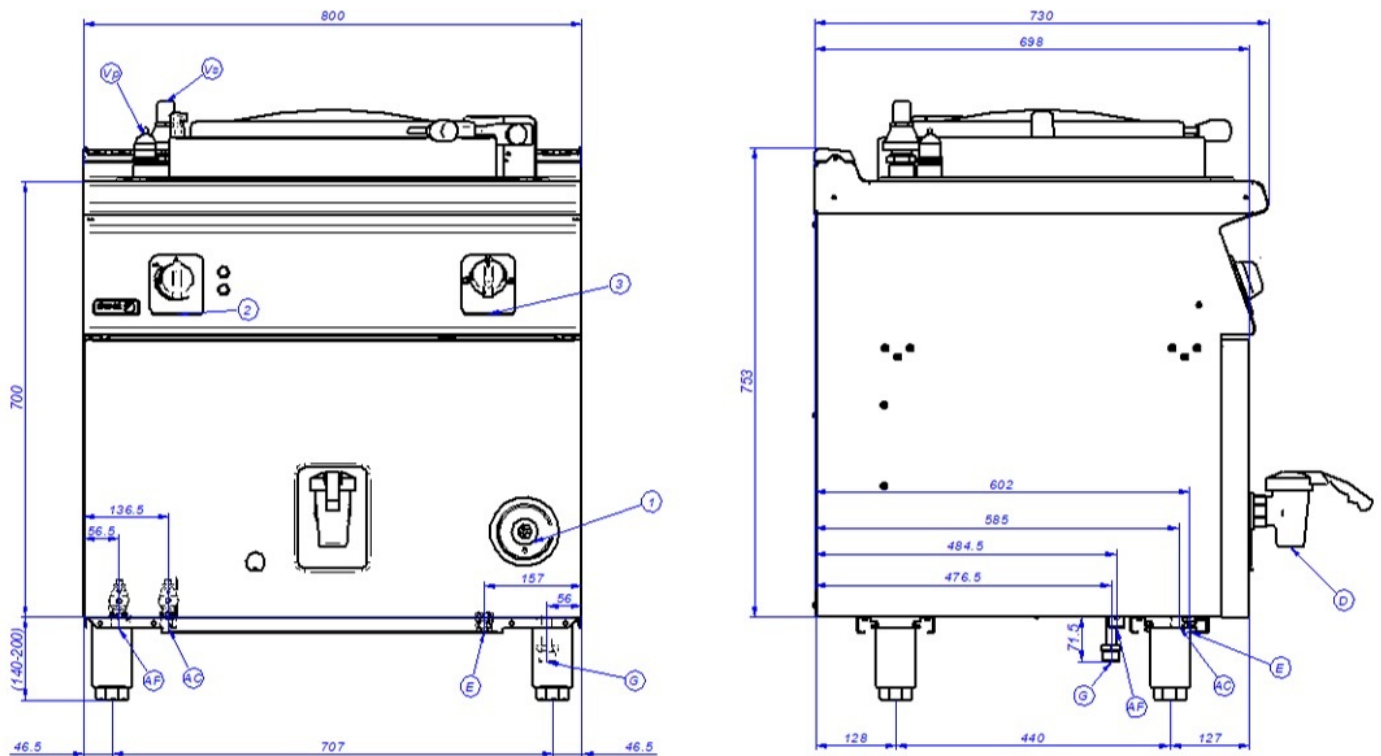
Catalogue
FOOD SERVICE
Chapter
COOKING

Specific model
M-G710 BM LPG 230V 1N 60Hz

19074809

04/09/2023

M-G710 BM



AF	Entrada de Agua Fría	Cold water Inlet	Entrée d'eau froide
AC	Entrada de Agua Caliente	Hot water Inlet	Entrée d'eau chaude
E	Conexión eléctrica	Electric connection	Connexion électrique
D	Desagüe	Drainage	Vidange
G	Entrada de Gas	Gas Inlet	Entrée de gaz
M	Manómetro	Manometer	Manomètre
Vs	Válvula de seguridad	Safety valve	Vanne de sécurité
Vp	Válvula de presión	Pressure Valve	Vanne de pression
1	Grifo válvula de gas	Gas valve tap	Robinet vanne gaz
2	Regulador de energía	Energy regulator	Régulateur d'énergie
3	Conmutador de agua	Water switch	Interrupteur d'eau