



**Catalogue**  
FOOD SERVICE  
**Chapter**  
COOKING

**Specific model**  
M-G710 BM LPG 230V 1N 50Hz

19066324

04/09/2023

**DENOMINATION:**

Indirect heating boiling pans with bain marie system, LPG gas 50 Hz, 80 L capacity, 700 range.

**DESCRIPTION :**

- Surface tops manufactured in 1.5 mm thick AISI-304 stainless steel.
- Laser-cut joints, automatic welding and polishing. Hidden screws.
- Lid with a front handle designed to prevent burns. Diagonal 70° opening.
- Drainage hole to redirect possible liquid spillages.
- 80-litre AISI-304 stainless-steel well built into the surface top using robotic welding, with a 2 mm-thick AISI 316L stainless steel well base.
- Well filled with cold or hot water through solenoid valves activated by a single switch located on the front panel.
- Well drainage through G1-1/2" UNI ISO 228 safety valve with athermic handle, safe and effortless.
- Filter for well drainage made of AISI-304 stainless-steel which is robust, reliable and easy to remove.
- Controls with a protective support base and system to prevent water infiltration.
- Indicator light to show when the machine is connected and when it is heating.
- IPX5 level protection."
- "- High-performance stainless-steel tubular burner with optimised combustion and sequential operation.
- Bain-marie chamber surrounding the well with an automatic filling system.
- Automatic control of the level of the chamber with three-way safety system: pressure switch to control pressure in the chamber, limiter thermostat to prevent overheating of the chamber and overpressure safety valve.
- Automatic clearing of the chamber.
- Heating at the base of the boiling pan acts on the water in the surrounding chamber so that the saturated steam produced at a temperature of 107 °C evenly heats the base and sides of the well.
- Burner is lit by spark ignition."

**POSSIBLE OPTIONS :**

- 230 1N- Transformation A 230 V single phase
- 230 III - A 230 V three-phase transformation without neutral
- Marine Transformation for boat - Tilting and boiling pans

**POSSIBLE ACCESSORIES :**

- KORE WHEELS
- TALL CHIMNEY KORE

**DIMENSIONS**



X Width	800 mm	X Gross width	840 mm
Y Depth	730 mm	Y Gross depth	822 mm
Z Height	850 mm	Z Gross height	1255 mm
Net Weight	88,0 kg	Gross Weight	106,0 kg
Net volume	0,500 m3	Gross volume	0,867 m3

**ELECTRICITY TECHNICAL SPECIFICATIONS**

Electric power	0,100 kW
Amperage (A)	2A
Voltage	230V - 1N
Electric frequency	50Hz

**GAS TECHNICAL SPECIFICATIONS**

Gas type	LPG
Gas power	17,00 kW
Gas consumption	1,340 kg/h
Regulated	LPG G30/G31 28-30/37 mbar NG G20/G25/G25.1 20/25/25 mbar

**WATER TECHNICAL SPECIFICATIONS**

Pressure	H2O: 200-400kPa(2-4bar)
Water max consumption	0,00 L/h

**CONNECTIONS TECHNICAL SPECIFICATIONS**

Gas diameter 1	R3/4"
Drain 1 diameter	1/2"





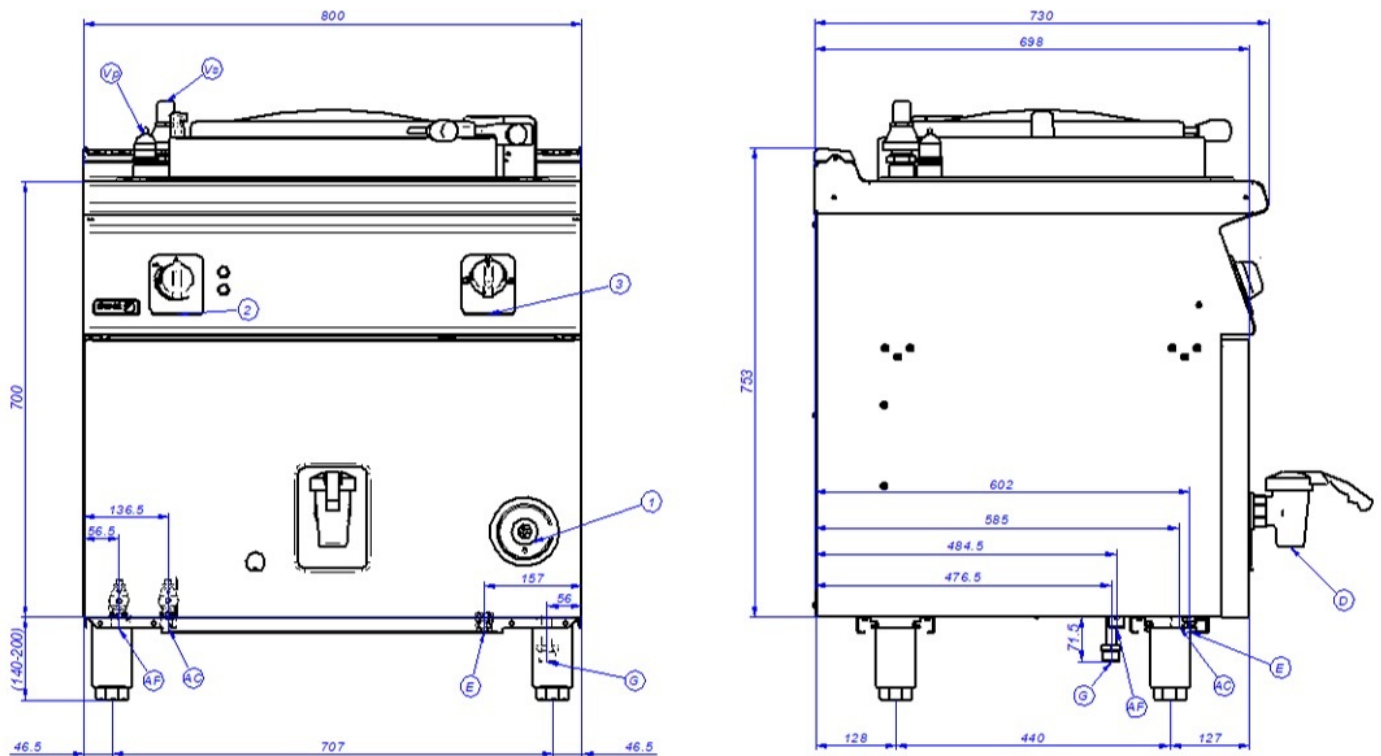
**Catalogue**  
FOOD SERVICE  
**Chapter**  
COOKING

**Specific model**  
M-G710 BM LPG 230V 1N 50Hz

19066324

04/09/2023

### M-G710 BM



AF	Entrada de Agua Fría	Cold water Inlet	Entrée d'eau froide
AC	Entrada de Agua Caliente	Hot water Inlet	Entrée d'eau chaude
E	Conexión eléctrica	Electric connection	Connexion électrique
D	Desagüe	Drainage	Vidange
G	Entrada de Gas	Gas Inlet	Entrée de gaz
M	Manómetro	Manometer	Manomètre
Vs	Válvula de seguridad	Safety valve	Vanne de sécurité
Vp	Válvula de presión	Pressure Valve	Vanne de pression
1	Grifo válvula de gas	Gas valve tap	Robinet vanne gaz
2	Regulador de energía	Energy regulator	Régulateur d'énergie
3	Conmutador de agua	Water switch	Interrupteur d'eau