



**Catalogue**  
FOOD SERVICE  
**Chapter**  
COOKING

**Specific model**  
M-G710 LPG 230V 1N 60Hz

19074792

04/09/2023

**DENOMINATION:**

Direct heating boiling pan, NG gas 50 Hz, 80 L capacity, 700 range.

**DESCRIPTION :**

- Surface tops manufactured in 1.5 mm thick AISI-304 stainless steel.
- Laser-cut joints, automatic welding and polishing. Hidden screws.
- Lid with a front handle designed to prevent burns. Diagonal 70° opening.
- Drainage hole to redirect possible liquid spillages.
- 80-litre AISI-304 stainless-steel well built into the surface top using robotic welding, with a 2 mm-thick AISI 316L stainless steel well base.
- Well filled with cold or hot water though solenoid valves activated by a single switch located on the front panel.
- Well drainage through G1-1/2" UNI ISO 228 safety valve with athermic handle, safe and effortless.
- Filter for well drainage made of AISI-304 stainless-steel which is robust, reliable and easy to remove.
- Controls with a protective support base and system to prevent water infiltration.
- Indicator light to show when the machine is connected and when it is heating.
- IPX5 level protection."
- "- High-performance stainless-steel tubular burner with optimised combustion and sequential operation.
- Controlled by an energy regulator which enables slower cooking.
- Heating of the burner at the base of the boiling pan is evenly distributed, resulting in gradual heating of the contents of the well.
- Possibility of regulating heating of the burner since there are different levels of power.
- Burner is lit by spark ignition."

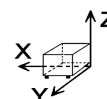
**POSSIBLE OPTIONS :**

- 230 1N- Transformation A 230 V single phase
- 230 III - A 230 V three-phase transformation without neutral
- Marine Transformation for boat - Tilting and boiling pans

**POSSIBLE ACCESSORIES :**

- KORE WHEELS
- TALL CHIMNEY KORE

**DIMENSIONS**



X Width	800 mm	X Gross width	840 mm
Y Depth	730 mm	Y Gross depth	822 mm
Z Height	850 mm	Z Gross height	1255 mm
Net Weight	85,0 kg	Gross Weight	103,0 kg
Net volume	0,500 m3	Gross volume	0,867 m3

**ELECTRICITY TECHNICAL SPECIFICATIONS**

Electric power	0,100 kW
Amperage (A)	2A
Voltage	230V - 1N
Electric frequency	60Hz

**GAS TECHNICAL SPECIFICATIONS**

Gas type	LPG
Gas power	17,00 kW
Gas consumption	1,340 kg/h
Regulated	LPG G30/G31 28-30/37 mbar NG G20/G25/G25.1 20/25/25 mbar

**WATER TECHNICAL SPECIFICATIONS**

Pressure	H2O: 200-400kPa(2-4bar)
Water max consumption	0,00 L/h

**CONNECTIONS TECHNICAL SPECIFICATIONS**

Gas diameter 1	R3/4"
Water inlet diameter	3/4"
Drain 1 diameter	1/2"





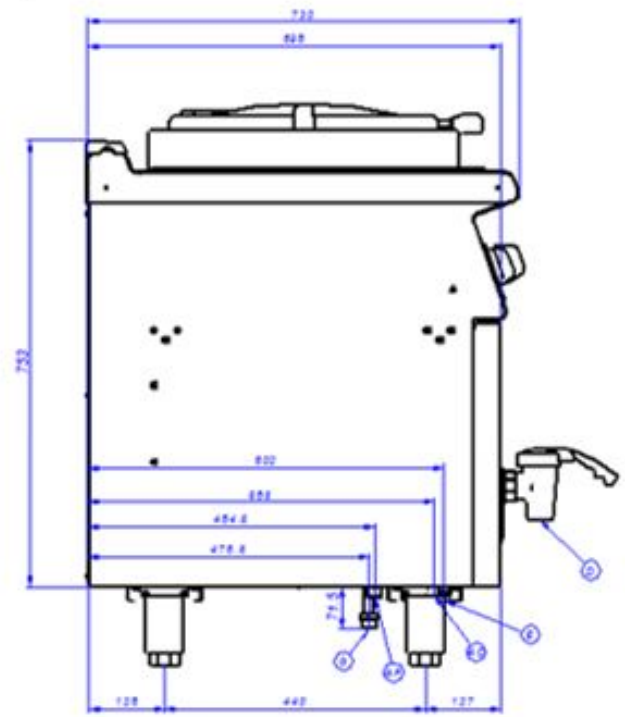
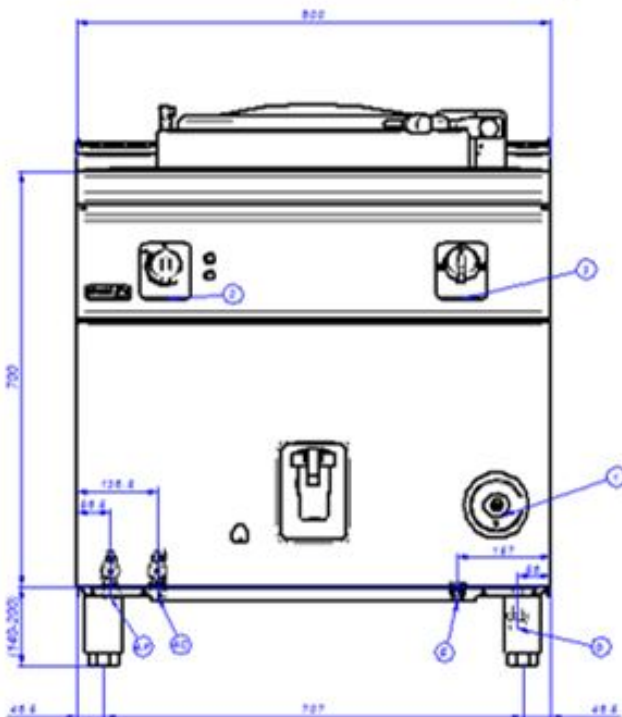
**Catalogue**  
FOOD SERVICE  
**Chapter**  
COOKING

**Specific model**  
M-G710 LPG 230V 1N 60Hz

19074792

04/09/2023

## M-G710



AF	Entrada de Agua Fría	Cold water Inlet
AG	Entrada de Agua Caliente	Hot water Inlet
E	Conexión eléctrica	Electric connection
D	Desagüe	Drainage
G	Entrada de Gas	Gas Inlet
M	Manómetro	Manometer
Vs	Válvula de seguridad	Safety valve
Vp	Válvula de presión	Pressure Valve
1	Grifo válvula de gas	Gas valve tap
2	Regulador de energia	Energy regulator
3	Conmutador de agua	Water switch